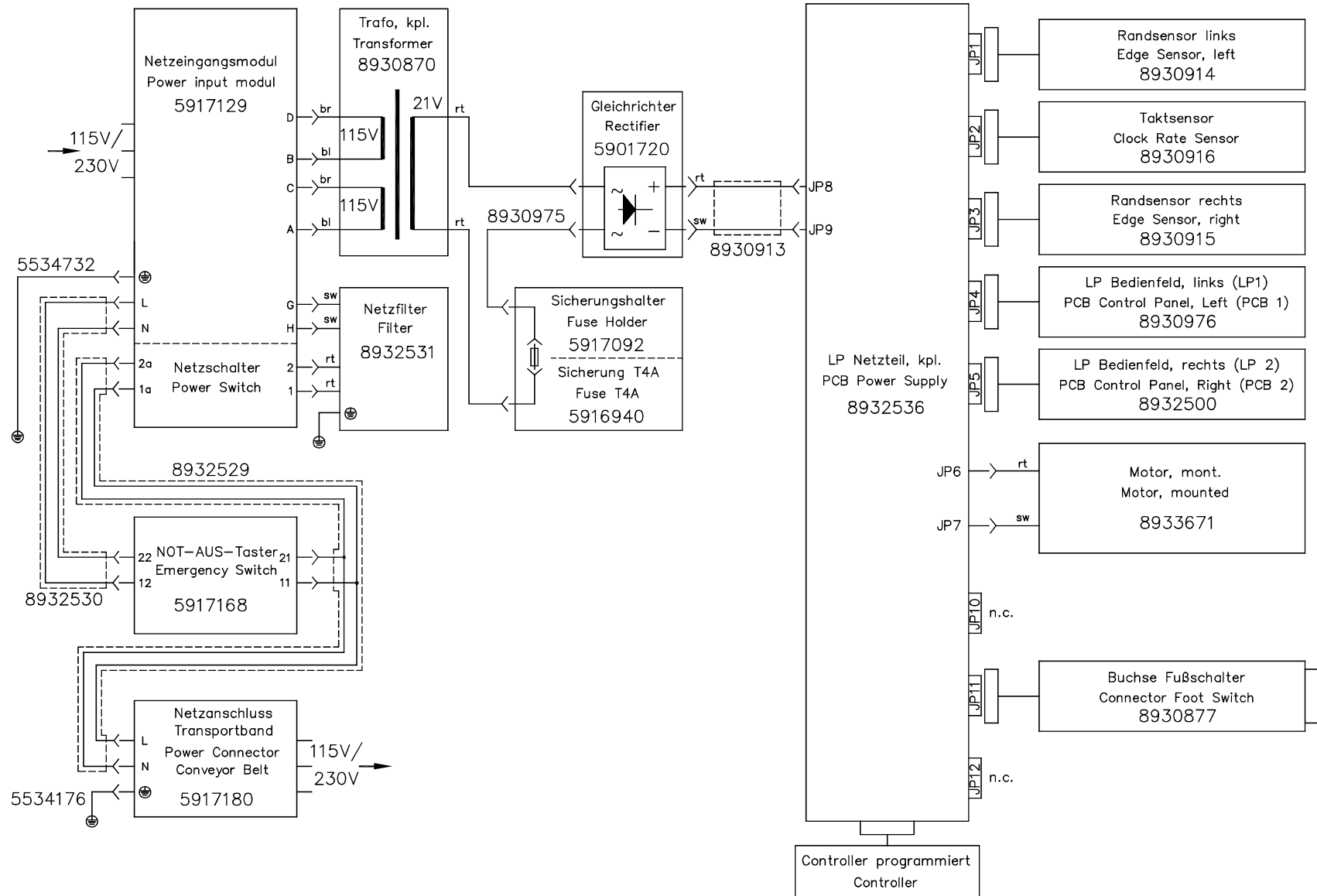


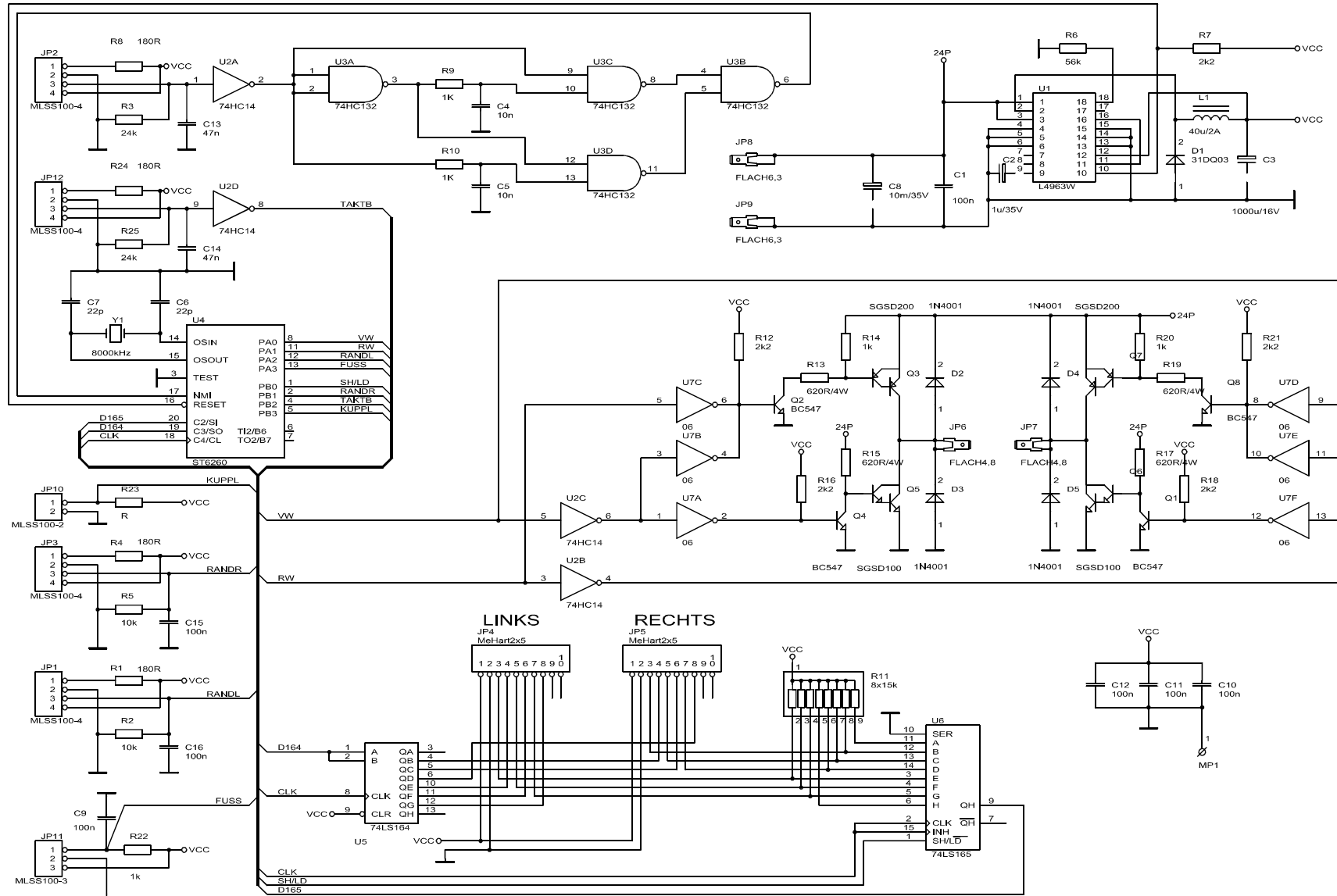
**Blockschaltbild MAESTRO 4M**  
**Block Diagram MAESTRO 4M**

05-10-05

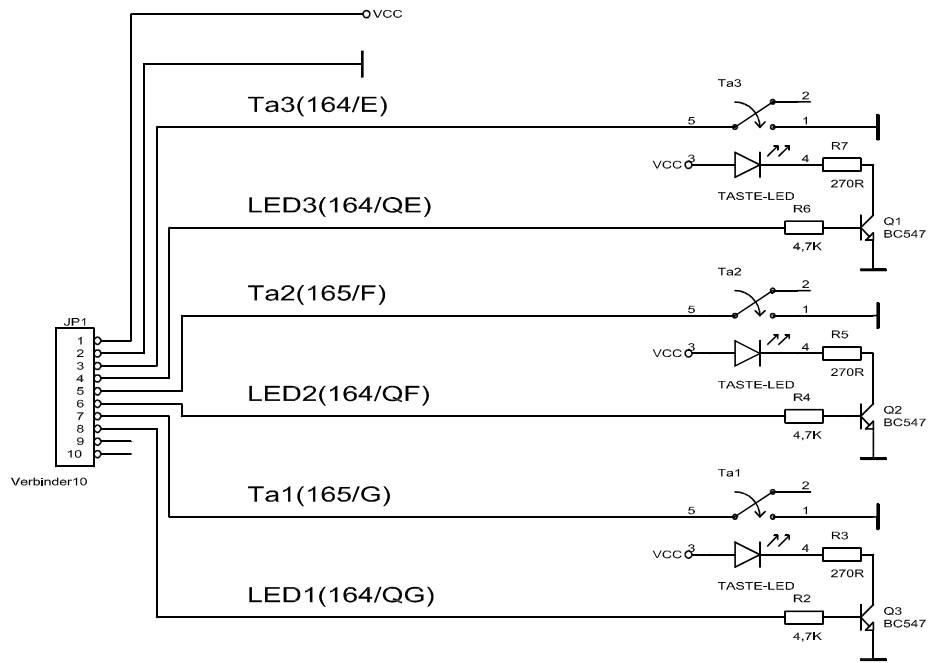


**Stromlaufplan MAESTRO 4M - LP Netzteil, kpl. (Art.-Nr. 8932536)**  
**Circuit Diagram MAESTRO 4M - PCB Power Supply (Part.-No. 8932536)**

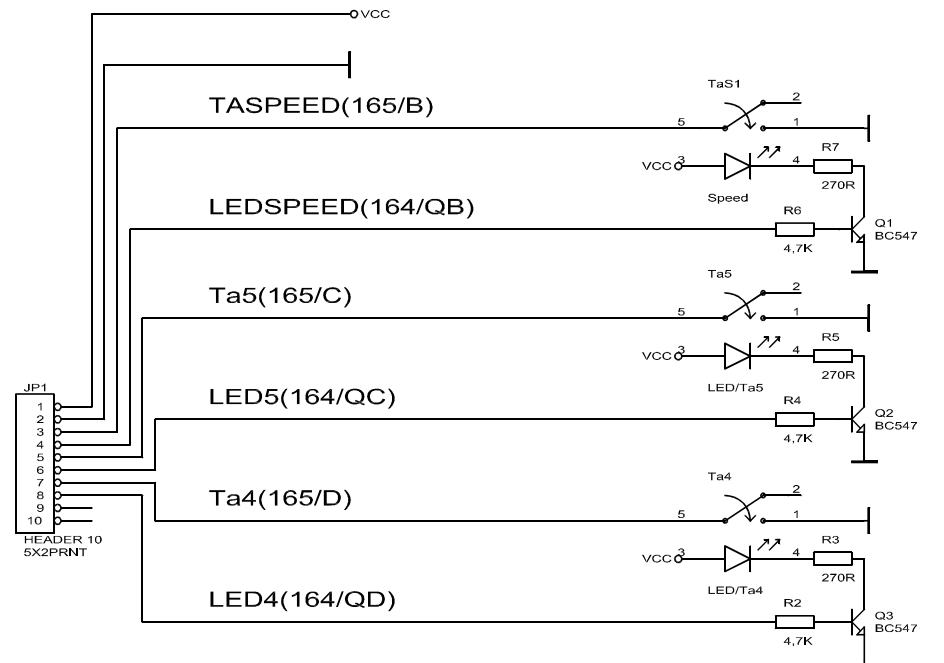
05-10-05



**Stromlaufplan MAESTRO 4M - LP Bedienfeld, links (Art.-Nr. 8930976)**  
**Circuit Diagram MAESTRO 4M - PCB Control Panel, Left (Part.-No. 8930976)**

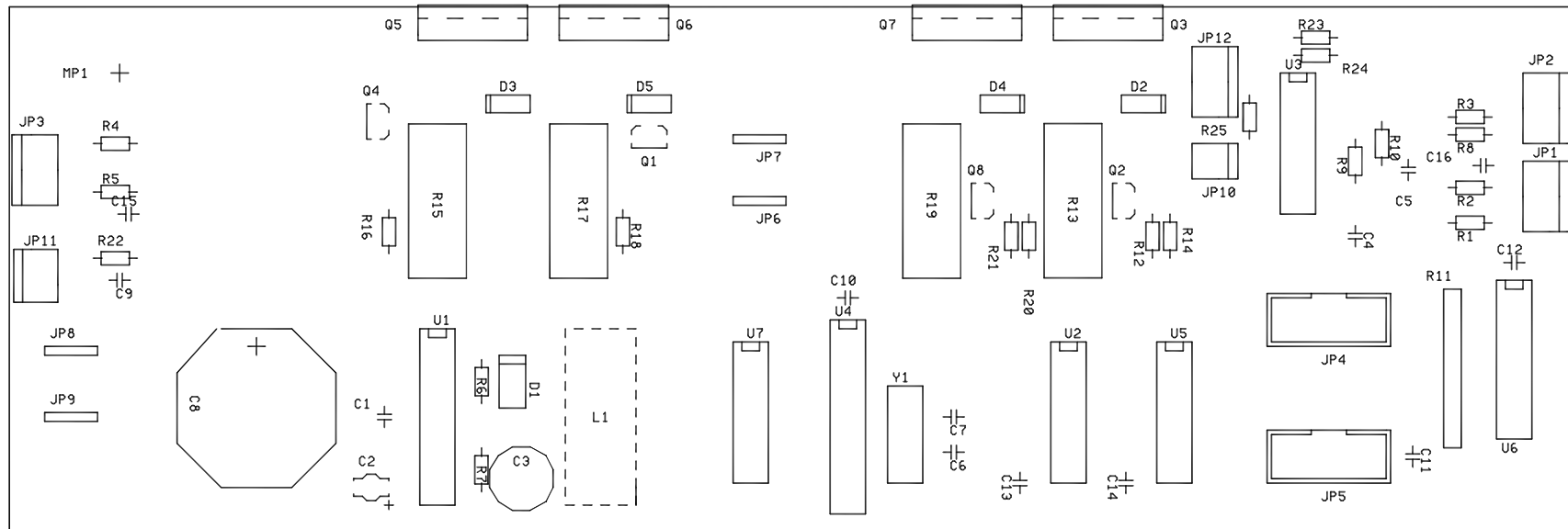


**Stromlaufplan MAESTRO 4M - LP Bedienfeld, rechts (Art.-Nr. 8932500)**  
**Circuit Diagram MAESTRO 4M - PCB Control Panel, Right (Part.-No. 8932500)**



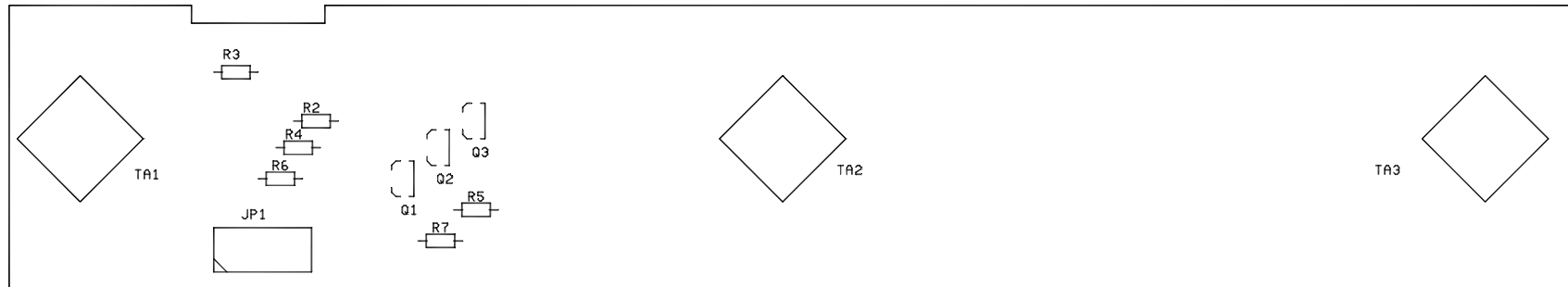
**Bestückungsplan MAESTRO 4M - LP Netzteil, kpl. (Art.-Nr. 8932536)**  
**Layout Diagram MAESTRO 4M - PCB Power Supply (Part.-No. 8932536)**

05-10-05



**Bestückungsplan MAESTRO 4M - LP Bedienfeld, links (Art.-Nr. 8930976)**  
**Layout Diagram MAESTRO 4M - PCB Control Panel, Left (Part.-No. 8930976)**

05-10-05



**Bestückungsplan MAESTRO 4M - LP Bedienfeld, rechts (Art.-Nr. 8932500)**  
**Layout Diagram MAESTRO 4M - PCB Control Panel, Right (Part.-No. 8932500)**

