

QFP-Extender Series Q2501 Series Q2502

By using the QFP-Extender the user can build up his individual height.

Contact clip

Beryllium copper, nickel 2.5 µm, gold flash

Sleeve

Screw machin. brass, nickel 2.5 µm, gold flash

PCB

Glas-fibre Epoxyd EP-GC 02, self-extinguishing rated UL94V0

Operation temperature -55 up to +125°C

Resit. to wave solder heat 260°C, 5 sec

Mechanical lifte > 500 cycles

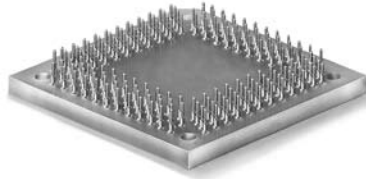
Rated voltage 100 V_{RMS}/150 VDC

Contact resistance < 20 mΩ

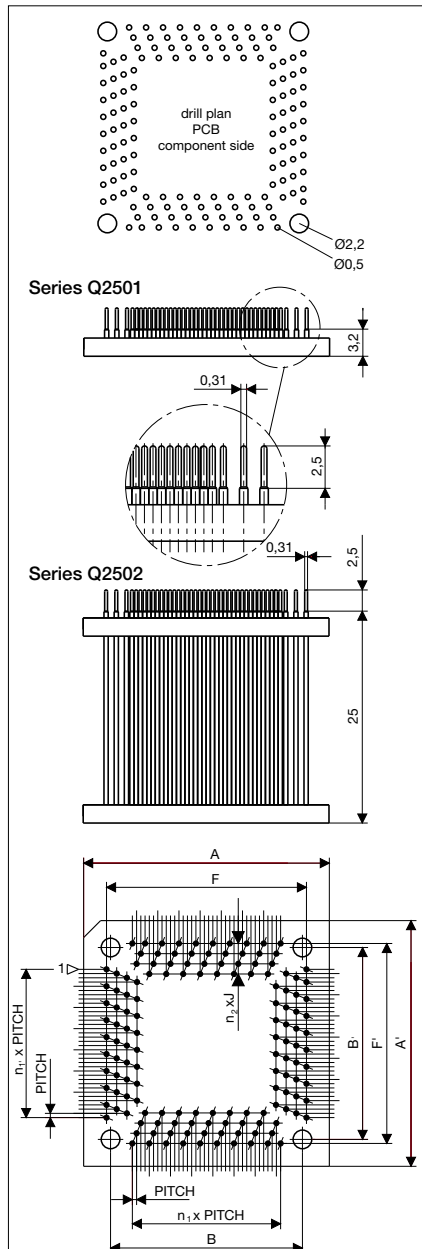
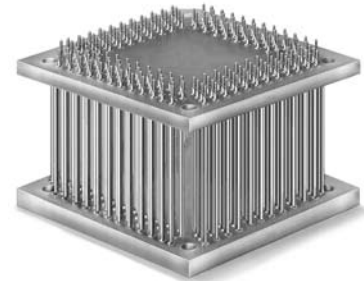
Insulation resistance > 5 x 10⁹ Ω

Current carrying capacity per contact 0,4 A
RoHS-conform

Series Q2501



Series Q2502



A A'	B B'	F	J	n ₂	n ₁	Pitch	Pins	S=Square R=Rectangular	Variant	Q2501	Q2502
										Part No.	
17.00	10.65	10.84	1.2	2	11	0.5	48	S	01	3303376	3303418
19.00	12.65	12.84	1.2	3	15	0.5	64	S	01	3303468	3303469
21.00	14.65	15,84	1.2	3	19	0,5	80	S	02	3303377	3303419
23.00	16.60	18.10	1.2	3	24	0,5	100	S	01	3303378	3303420
29.00	22.65	23.60	1.2	3	29	0.5	120	S	02	3303379	3303421
24.00	17.65	17.84	1.2	3	25	0.5	128	R	01	3303380	3303422
30.00	23.65	23.84	1.2	3	37	0.5	128	S	01	3303381	3303423
27.00	20.65	22.60	1.2	3	31	0.5	128	S	01	3303381	3303423
29.00	22.65	23.60	1.2	3	35	0.5	144	S	01	3303382	3303424
33.00	26.65	27.60	1.2	3	39	0.5	160	S	01	3303383	3303425
33.00	26.65	27.60	1.2	3	43	0.5	176	S	01	3303384	3303426
37.00	30.65	31.60	1.2	3	51	0.5	208	S	01	3303385	3303427
41.00	34.65	36.20	1.2	3	59	0.5	240	S	01	3303386	3303428
19.70	13.35	13.00	1.2	2	11	0.65	48	S	01	3303452	3303457
19.70	13.35	13.00	1.2	2	12	0.65	52	S	01	3303453	3303458
19.70	13.35	13.65	1.2	2	13	0.65	56	S	01	3303454	3303459
22.10	15.75	14.95	1.2	3	15	0.65	64	S	01	3303387	3303429
24.10	17.75	17.55	1.2	3	19	0.65	80	S	01	3303388	3303430
23.75	17.40	17.55	1.2	3	19	0.65	100	R	01	3303389	3303431
30.25	23.90	24.05	1.2	3	29	0.65	100	R	01	3303389	3303431
28.10	21.75	22.60	1.2	3	24	0.65	100	S	01	3303390	3303432
29.60	23.25	23.85	1.2	3	27	0.65	112	S	01	3303078	3303123
29.60	23.25	24.00	1.2	3	28	0.65	116	S	01	3303455	3303470
38.70	31.70	33.30	1.2	3	35	0.65	144	S	01	3303391	3303433
38.70	31.70	33.30	1.2	3	39	0.65	160	S	01	3303392	3303434
38.70	31.70	33.30	1.2	3	41	0.65	168	S	01	3303393	3303435
16.70	10.35	10.80	1.2	2	7	0.8	32	S	01	3303456	3303472
19.70	13.35	13.20	1.2	3	10	0.8	44	S	01	3303397	3303439
23.70	17.35	17.20	1.2	3	15	0.8	64	S	01	3303394	3303436
23.70	17.35	17.20	1.2	3	15	0.8	80	R	01	3303395	3303437
30.10	23.75	23.60	1.2	3	23	0.8	80	R	01	3303395	3303437
23.80	17.45	17.60	1.2	3	12	1.0	64	R	01	3303396	3303438
29.80	23.45	23.60	1.2	3	18	1.0	64	R	01	3303396	3303438