

# QFP-Extender Series Q1501 Q1502

By using the QFP-Extender the user can build up his individual height.

**Contact clip**

Beryllium copper, nickel 2.5 µm, gold flash

**Sleeve**

Screw machin. brass, nickel 2.5 µm, gold flash

**PCB**

Glas-fibre Epoxyd EP-GC 02, self-extinguishing rated UL94V0

**Operation temperature** -55 up to +125°C

**Resit. to wave solder heat** 260°C, 5 sec.

**Mechanical lifte** > 500 cycles

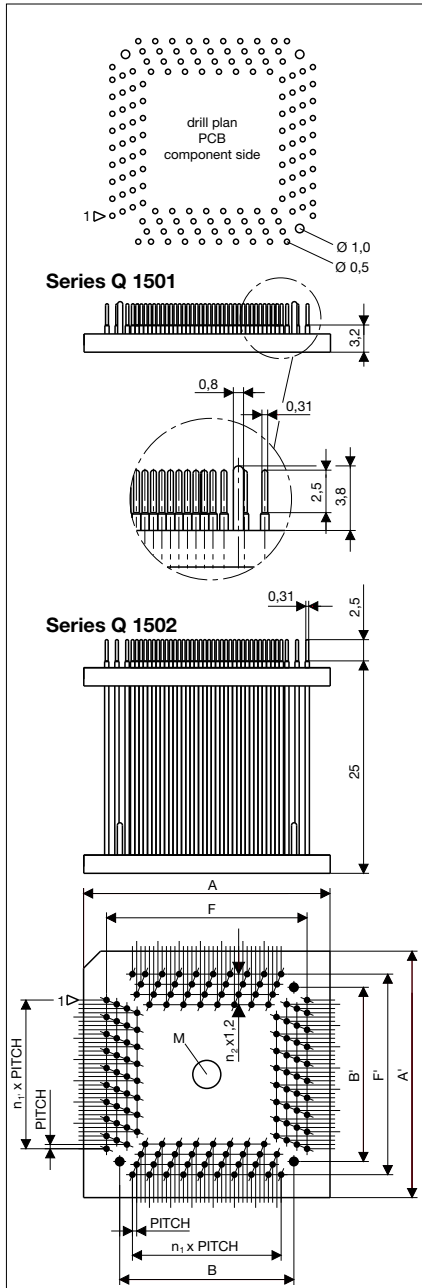
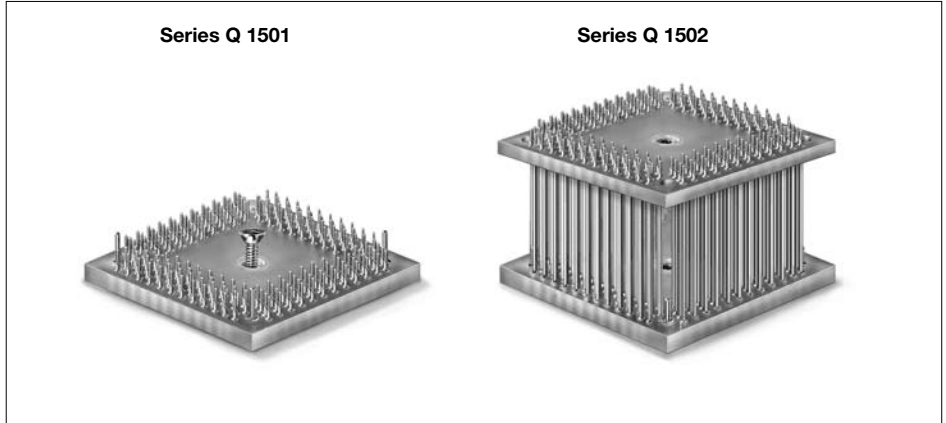
**Rated voltage** 100 V<sub>RMS</sub>/150 VDC

**Contact resistance** < 20 mΩ

**Insulation resistance** > 5 x 10<sup>9</sup> Ω

**Current carrying capacity** per contact 0,4 A

RoHS-conform



										Q 1501	Q 1502
A	B	F	M	n <sub>1</sub>	n <sub>2</sub>	Pitch	Pins	S=Square R=Rectangular	Variant	Part No.	
A'	B'	F'		n <sub>1</sub> '						Q 1501	Q 1502
19.0	7.77	10.84	∅ 2,2	11	2	0.5	48	S	01	3303043	3303090
16.0	9.77	12.84	M2	15	3	0.5	64	S	01	3303044	3303091
17.0	10.77	13.84	M2	17	3	0.5	72	S	01	3303045	3303092
18.0	11.77	14.84	M2	19	3	0.5	80	S	01	3303046	3303093
21.5	15.00	18.10	M2	24	3	0.5	100	S	01	3303047	3303094
23.0	16.77	19.84	M2	29	3	0.5	120	S	01	3303048	3303095
29.0	20.50	23.60	M2	29	3	0.5	120	S	02	3303049	3303096
24.0	14.77	17.84	M2	25	3	0.5	128	R	01	3303050	3303097
30.0	20.77	23.84	M2	37	3	0.5	128	R	01	3303050	3303097
27.0	20.50	23.60	M2	35	3	0.5	144	S	01	3303051	3303098
33.0	24.50	27.60	M2	39	3	0.5	160	S	01	3303052	3303099
33.0	24.50	27.60	M2	43	3	0.5	176	S	01	3303053	3303100
37.0	28.50	31.60	M3	51	3	0.5	208	S	01	3303054	3303101
34.0	27.77	30.84	M3	51	3	0.5	256	R	01	3303055	3303102
46.0	39.77	42.84	M3	75	3	0.5	256	R	01	3303055	3303102
32.5	26.02	29.10	M3	32	3	0.635	132	S	01	3303056	3303103
12.5	-	-	-	-	-	0.65	40	S	01	3303473	3303474
16.5	9.92	13.00	M2	12	2	0.65	52	S	01	3303057	3303104
17.0	10.57	13.65	M2	13	2	0.65	56	S	01	3303058	3303105
22.0	11.85	14.95	M2	15	3	0.65	64	S	01	3303059	3303106
24.0	14.47	17.55	M2	19	3	0.65	80	S	01	3303060	3303107
23.0	14.47	17.55	M2	19	3	0.65	100	R	01	3303061	3303108
29.5	20.97	24.05	M2	29	3	0.65	100	R	01	3303061	3303108
25.3	21.40	23.85	M2	27	3	0.65	112	S	01	3303062	3303109
34.0	27.47	30.55	M3	35	3	0.65	144	S	02	3303075	3303122
34.0	27.47	30.55	M3	39	3	0.65	160	S	02	3303063	3303110
38.0	31.37	34.45	M3	45	3	0.65	184	S	01	3303064	3303111
16.5	7.72	10.80	∅ 2,3	7	2	0.8	32	S	01	3303065	3303112
19.7	10.12	13.20	M2	10	2	0.8	44	S	01	3303066	3303113
17.5	10.92	14.00	M2	11	3	0.8	48	S	01	3303067	3303114
23.7	14.12	17.20	M2	15	3	0.8	64	S	01	3303068	3303115
23.7	14.10	17.20	M2	15	3	0.8	80	R	01	3303069	3303116
30.0	20.50	23.60	M2	23	3	0.8	80	R	01	3303069	3303116
27.8	21.32	24.40	M2	24	3	0.8	100	S	01	3303070	3303117
33.5	26.92	30.00	M2	29	3	0.8	120	S	01	3303071	3303118
33.5	26.92	30.00	M2	31	3	0.8	128	S	01	3303072	3303119
19.0	12.12	15.60	M2	10	2	1.0	44	S	01	3303073	3303120
23.8	14.12	17.60	M2	12	3	1.0	64	R	01	3303074	3303121
29.8	20.12	23.60	M2	18	3	1.0	64	R	01	3303074	3303121

**Contents of delivery:**  
QFP-Extender, Counter-sunk screw