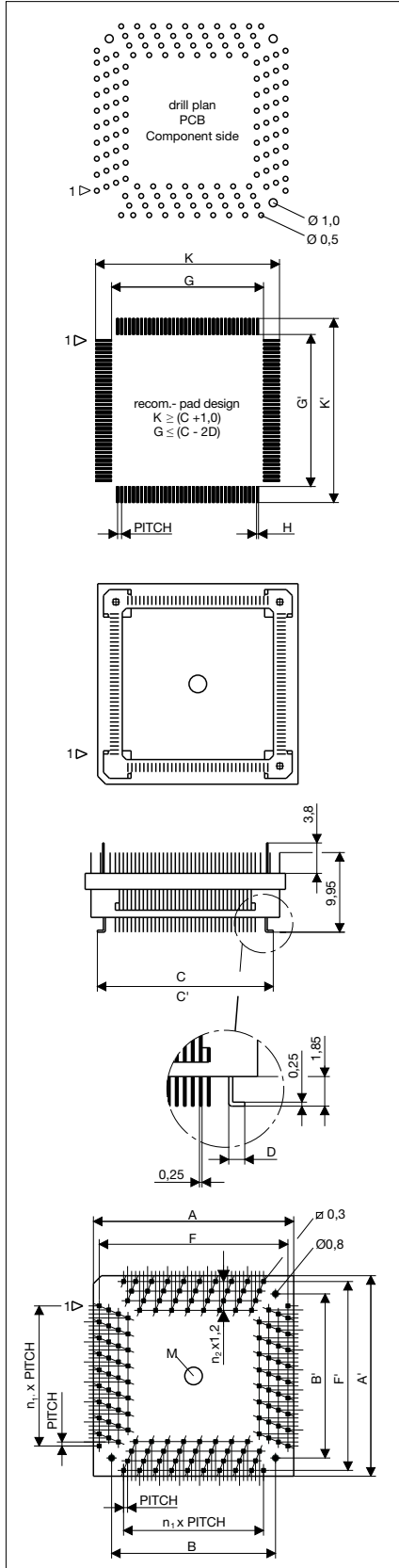


Content of delivery

QFP-Solder base adapter, core pin



Contact

NiFe (42 alloy) nickel 1-3 µm, gold 0.25 µm

Insulator body

Liquid Crystall Polymer (LCP) self-extinguishing rated UL94V0

Operation temperature -25 up to +85°C

Resistance to solder heat

Reflow 260°C, 10 sec.
Manual 350°C, 5 sec./per contact

Rated voltage 100 V_{RMS}/150 VDC

Contact resistance < 70 mΩ

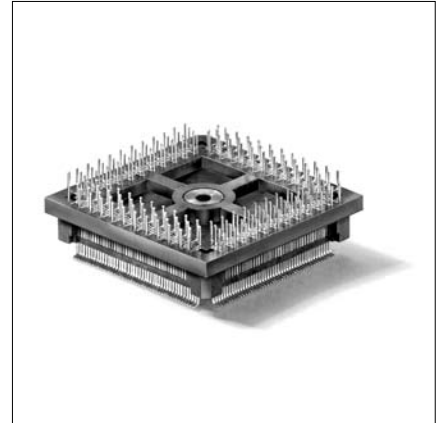
Insulation resistance > 5 x 10⁸ Ω

Current carrying capacity per contact 0,5 A

Moisture sensibility level (MSL)

J-STD-020C Level 2

RoHS-conform



A	B	C	D	F	H	M	n ₁	n ₂	Pitch	Pins	S=Square R=Rectangular	Variant	Part No.
12.00	7.77	9.0	1.005	10.84	0.25	∅ 2,2	11	2	0.5	48	S	01	3303001
14.00	9.77	12.0	1.505	12.84	0.25	M2	15	3	0.5	64	S	01	3303002
15.00	10.77	12.0	1.005	13.84	0.25	M2	17	3	0.5	72	S	01	3303003
16.00	11.77	14.0	1.505	14.84	0.25	M2	19	3	0.5	80	S	01	3303004
19.55	15.00	16.5	1.125	18.10	0.25	M2	24	3	0.5	100	S	01	3303005
21.00	16.77	18.0	1.005	19.84	0.25	M2	29	3	0.5	120	S	01	3303006
25.05	20.50	22.0	1.125	23.60	0.25	M2	29	3	0.5	120	S	02	3303007
19.00	14.77	16.0	1.005	17.84	0.25	M2	25	3	0.5	128	R	01	3303008
25.00	20.77	22.0	1.125	23.60	0.25	M2	35	3	0.5	144	S	01	3303009
29.05	24.50	26.0	1.125	27.60	0.25	M2	39	3	0.5	160	S	01	3303010
29.05	24.50	26.0	1.125	27.60	0.25	M2	43	3	0.5	176	S	01	3303011
33.05	28.50	30.0	1.125	31.60	0.25	M3	51	3	0.5	208	S	01	3303012
32.00	27.77	29.2	1.105	30.84	0.25	M3	51	3	0.5	256	R	01	3303013
44.00	39.77	41.2	1.105	42.84	0.25	M3	75	3	0.5	256	R	01	3303013
30.55	26.02	27.5	1.125	29.10	0.35	M3	32	3	0.635	132	S	01	3303014
12.5	8.10	9.0	0.9	11.05	0.35	∅ 2,2	9	2	0.65	40	S	01	3303365
14.45	9.92	12.0	1.425	13.00	0.35	M2	12	2	0.65	52	S	01	3303015
15.10	10.57	12.5	1.350	13.65	0.35	M2	13	2	0.65	56	S	01	3303016
16.40	11.85	14.0	1.450	14.95	0.35	M2	15	3	0.65	64	S	01	3303017
19.00	14.47	16.0	1.150	17.55	0.35	M2	19	3	0.65	80	S	01	3303018
19.00	14.47	15.96	1.125	17.55	0.35	M2	19	3	0.65	100	R	01	3303019
25.50	20.97	22.45	1.125	24.05	0.35	M2	29	3	0.65	100	R	01	3303019
25.30	21.40	22.0	1.000	23.85	0.35	M2	27	3	0.65	112	S	01	3303020
32.00	27.47	30.0	1.650	30.55	0.35	M3	35	3	0.65	144	S	02	3303034
32.00	27.47	30.0	1.650	30.55	0.35	M3	39	3	0.65	160	S	02	3303021
35.90	31.37	34.0	1.700	34.45	0.35	M3	45	3	0.65	184	S	01	3303022
12.25	7.72	9.2	1.125	10.80	0.5	∅ 2,3	7	2	0.8	32	S	01	3303023
14.65	10.12	12.0	1.325	13.20	0.5	M2	10	2	0.8	44	S	01	3303024
15.45	10.92	12.0	0.925	14.00	0.5	M2	11	3	0.8	48	S	01	3303026
18.65	14.12	16.0	1.325	17.20	0.5	M2	15	3	0.8	64	S	01	3303027
18.65	14.10	16.0	1.125	17.20	0.5	M2	15	3	0.8	80	R	01	3303028
25.05	20.50	22.0	1.125	23.60	0.5	M2	23	3	0.8	80	R	01	3303028
25.85	21.32	24.0	1.725	24.40	0.5	M2	24	3	0.8	100	S	01	3303029
31.45	26.92	31.4	2.625	30.00	0.5	M2	29	3	0.8	120	S	01	3303030
31.45	26.92	31.4	2.625	30.00	0.5	M2	31	3	0.8	128	S	01	3303031
17.05	12.12	16.4	2.325	15.60	0.6	M2	10	2	1.0	44	S	01	3303032
19.05	14.12	16.0	1.125	17.60	0.6	M2	12	3	1.0	64	R	01	3303033
25.05	20.12	22.0	1.125	23.60	0.6	M2	18	3	1.0	64	R	01	3303033