

## 27 PLCC-Adapter Series 533

Suitable for all PLCC sockets in JEDEC Type A design.

The massive square pins guarantee a safe connection. The pin length of 5.5 mm in the insertion area ensures a safe contact. For particularly low component height, the insertion depth can be reduced to 4.6 mm.

The drill-holes in the insulated body enable the socket to be fixed onto the PCB.

**Contact pin Surface** typically CuZn alloy  
2-3  $\mu\text{m}$  nickel,  
0.15  $\mu\text{m}$  gold

**Insulator body** Thermoplastic polyester  
glass-fibre reinforced, self-extinguishing rated UL94V0.

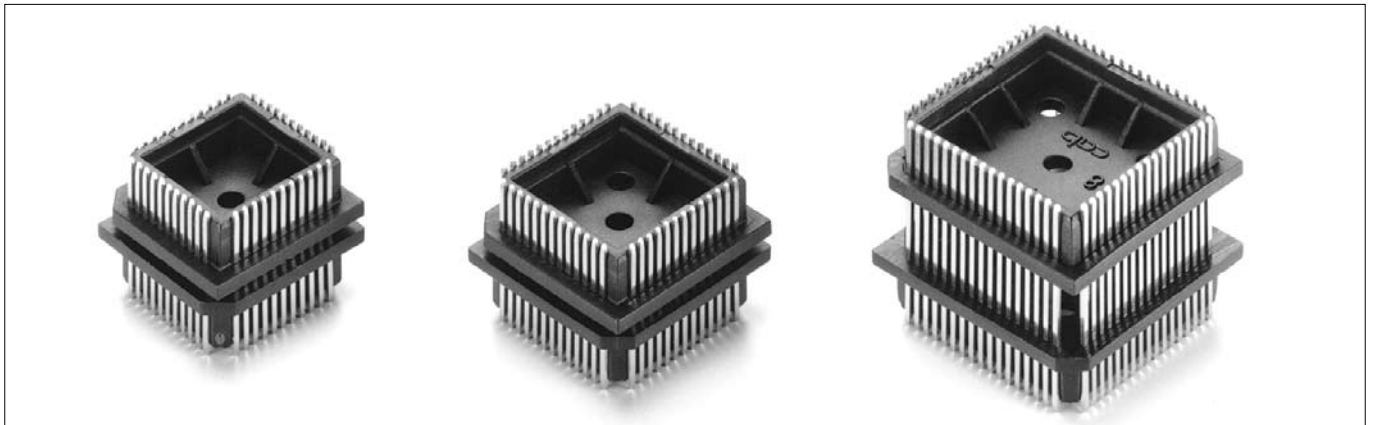
**Operation temperature** -55 up to +125 °C

**Solder temperature**  
from 235°C acc. IEC 68-2-54 Ta

**Solder head resistance**  
up to 260°C 10 sec. acc. IEC 68-2-20 Tb

**Mechanical life** > 500 cycles  
**Rated voltage** 100  $V_{RMS}$ /150 VDC  
**Insulation resistance** >  $10^{10} \Omega$   
**Air and creepage distance** >0.6 mm  
**Current carrying capacity** per contact 1 A  
**Moisture sensibility level (MSL)**  
J-STD-020C Level 1

**RoHS-conform**



### Customer specific design

**Length:** A = \_\_\_\_\_  
K =  4.6 mm  5.5 mm

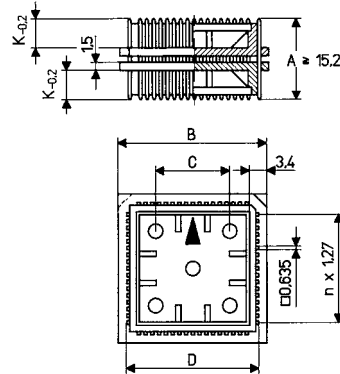
**Surface:**  tinned  
 gold plated 0.15  $\mu\text{m}$   
 gold plated 0.75  $\mu\text{m}$

**Pin count:** \_\_\_\_\_

### Single contact pins stock items

A	Gold 0.15 $\mu\text{m}$		
15.2	x		
16.5	x		
17.8	x		
19.1	x		
19.8	x		
21.6	x		
24.1	x		
26.7	x		
29.2	x		

Custom lengths and surface finishes for 60,000 pins or more



			A	15.2	21.6			
			K	5.5	5.5			
B	C	D	Pins	Part No.				
				Contact pin 0.15 $\mu\text{m}$ gold plated				
12.8		9.8	20					
15.3		12.3	28	3306813	3306913			
15.3		12.3	32	3306823	3306923			
18.0		14.9	32					
20.3		17.4	44	3306833	3306933			
23.0	9.5	19.9	52	3306843	3306943			
28.0	14.0	25.0	68	3306853	3306953			
33.0	17.8	30.1	84	3306863	3306963			