

26 PLCC-Adapter Series 532

For insertion into PCB's or to be soldered in SMD.

Suitable for all PLCC sockets in JEDEC Type A design.

The massive square pins guarantee a safe connection. The pin length of 5.5 mm in the insertion area ensure a safe contact. For particularly low component height, the insertion depth can be reduced to 4.6 mm.

The drill-holes in the insulated body enable the socket to be fixed onto the PCB.

Contact pin Surface typically CuZn alloy
2-3 μm nickel,
0.15 μm gold

Insulator body Thermoplastic polyester
glass-fibre reinforced, self-extinguishing rated UL94V0.

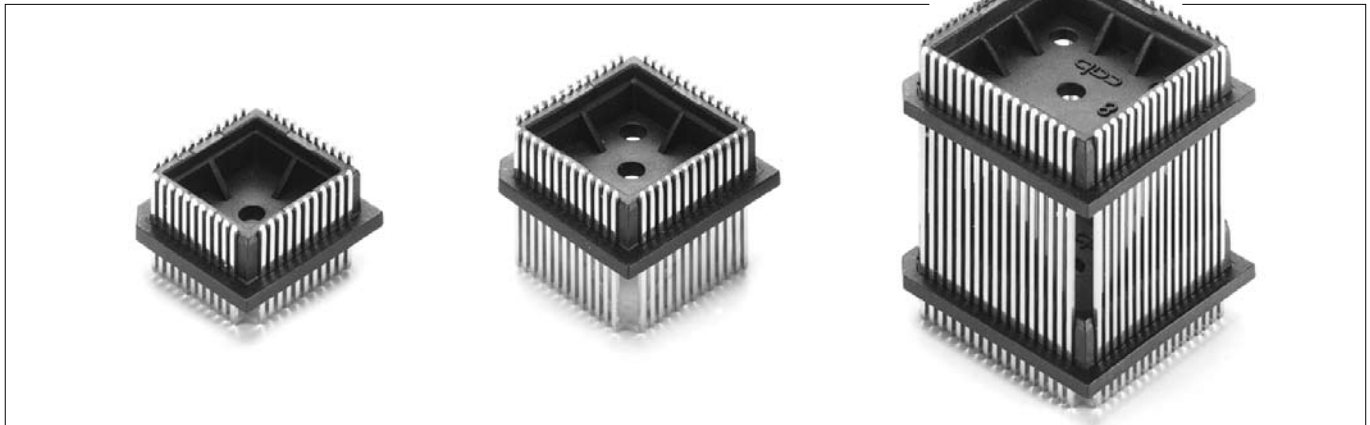
Operation temperature -55 up to +125 °C

Solder temperature from 235°C acc. IEC 68-2-54 Ta

Solder head resistance up to 260°C 10 sec. acc. IEC 68-2-20 Tb

Mechanical life > 500 cycles
Rated voltage 100 V_{RMS} /150 VDC
Insulation resistance > $10^{10} \Omega$
Air and creepage distance > 0.6 mm
Current carrying capacity per contact 1 A
Moisture sensibility level (MSL) J-STD-020C Level 1

RoHS-conform



Customer specific design

Type: 1 2

Length: A = _____

L = _____

K = 4,6 mm 5,5 mm

Surface: tinned

gold plated 0.15 μm

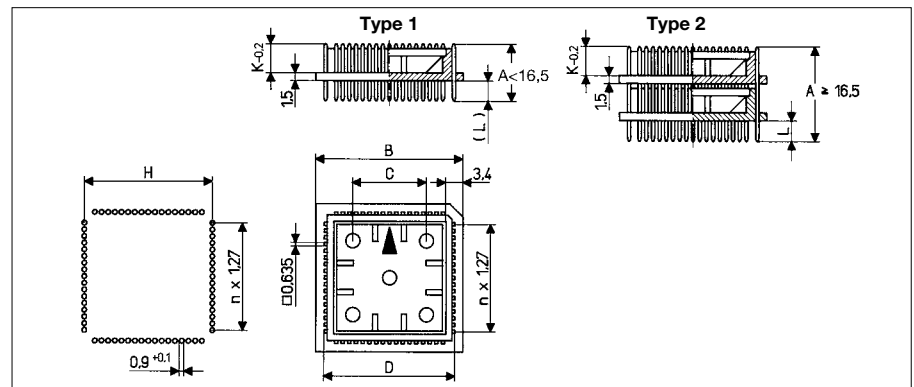
gold plated 0.75 μm

Pin count: _____

Single contact pin stock items

A	Gold 0.15 μm	
10.2	x	
10.8	x	
11.4	x	
12.4	x	
13.5	x	
14.7	x	
15.2	x	
16.5	x	
17.8	x	
19.1	x	
19.8	x	
21.6	x	
24.1	x	
26.7	x	
29.2	x	

Custom lengths and surface finishes for 60,000 pins or more



Type	1	1	2	2	
A	10.8	15.2	16.5	29.2	
K	5.5	5.5	5.5	5.5	
L	3.8	8.2	3.5	3.5	

B	C	D	H	Pins	Part No. Contact pin 0.15 μm gold plated			
12.8		9.8	9.2	20				
15.3		12.3	11.7	28	3306812	3306912	3307812	3307512
15.3		12.3	11.7	32	3306822	3306922	3307822	3307522
18.0		14.9	14.2	44	3306832	3306932	3307832	3307532
20.3		17.4	16.8	52	3306842	3306942	3307842	3307542
23.0	9.5	19.9	19.3	68	3306852	3306952	3307852	3307552
28.0	14.0	25.0	24.4	84	3306862	3306962	3307862	3307562
33.0	17.8	30.1	29.5					