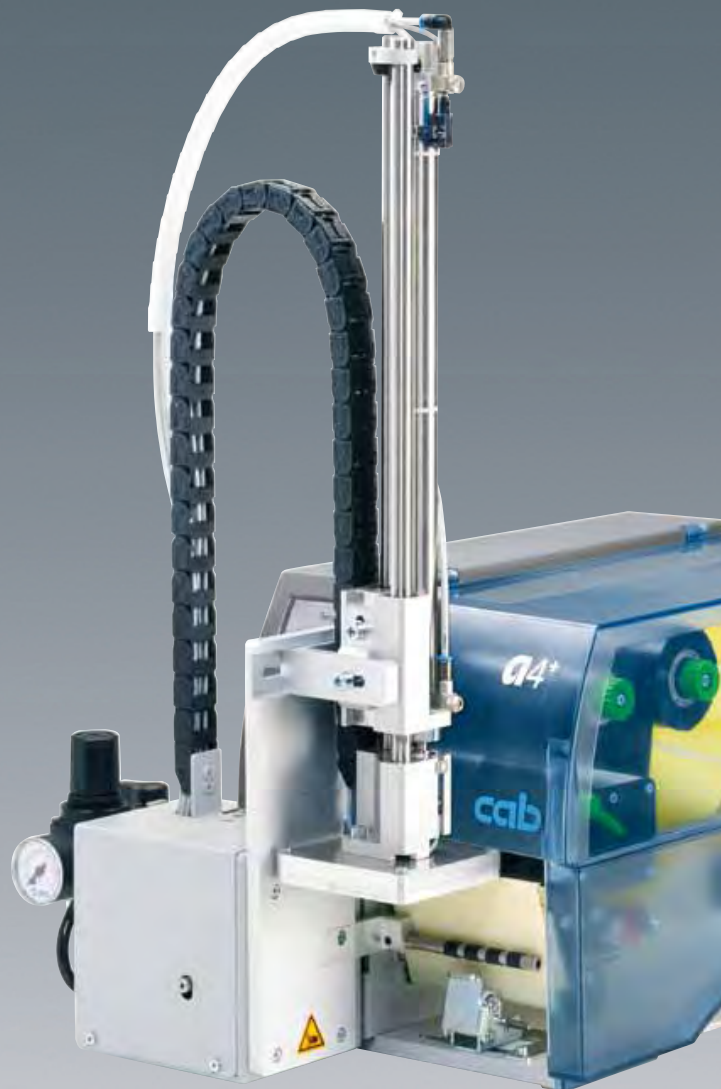


Spare Parts List



Applicator A1000

for the following products

Family	Type
A1000 up to SN 2199	A1000-150
	A1000-220
	A1000-300
	A1000-400

Table of Contents

1	Chassis, PCBs, Service Unit	3
2	Valve Terminal, Vacuum Generator	4
3	Energy Track.....	5
4	Cylinder Assembly, Blow Tube.....	6
5	Universal Pads.....	7
6	Spare Parts Register	8
7	Technical Documents.....	10
8	Packaging/Accessories.....	10

Edition: 11/2013 - Art.-Nr. 9008461

Copyright

This documentation as well as translation hereof are property of cab Produkttechnik GmbH & Co. KG.

The replication, conversion, duplication or divulgement of the whole manual or parts of it for other intentions than its original intended purpose demand the previous written authorization by cab.

Editor

Regarding questions or comments please contact cab Produkttechnik GmbH & Co. KG.

Topicality

Due to the constant further development of our products discrepancies between documentation and product can occur.

Please check www.cab.de for the latest update.

Terms and conditions

Deliveries and performances are effected under the General conditions of sale of cab.

Germany

cab Produkttechnik
GmbH & Co KG
Postfach 1904
D-76007 Karlsruhe
Wilhelm-Schickard-Str. 14
D-76131 Karlsruhe
Telefon +49 721 6626-0
Telefax +49 721 6626-249
www.cab.de
info@cab.de

France

cab technologies s.a.r.l.
F-67350 Niedermodern
Téléphone +33 388 722 501
www.cab.de/fr
info.fr@cab.de

USA

cab Technology Inc.
Tyngsboro MA, 01879
Phone +1 978 649 0293
www.cab.de/us
info.us@cab.de

South Africa

cab Technology (Pty.) Ltd.
2125 Randburg
Phone +27 11-886-3580
www.cab.de/za
info.za@cab.de

Asia 亚洲

cab Technology Co., Ltd.
希愛比科技股份有限公司
Junghe, Taipei, Taiwan
Phone +886 2 8227 3966
www.cab.de/tw
info.asia@cab.de

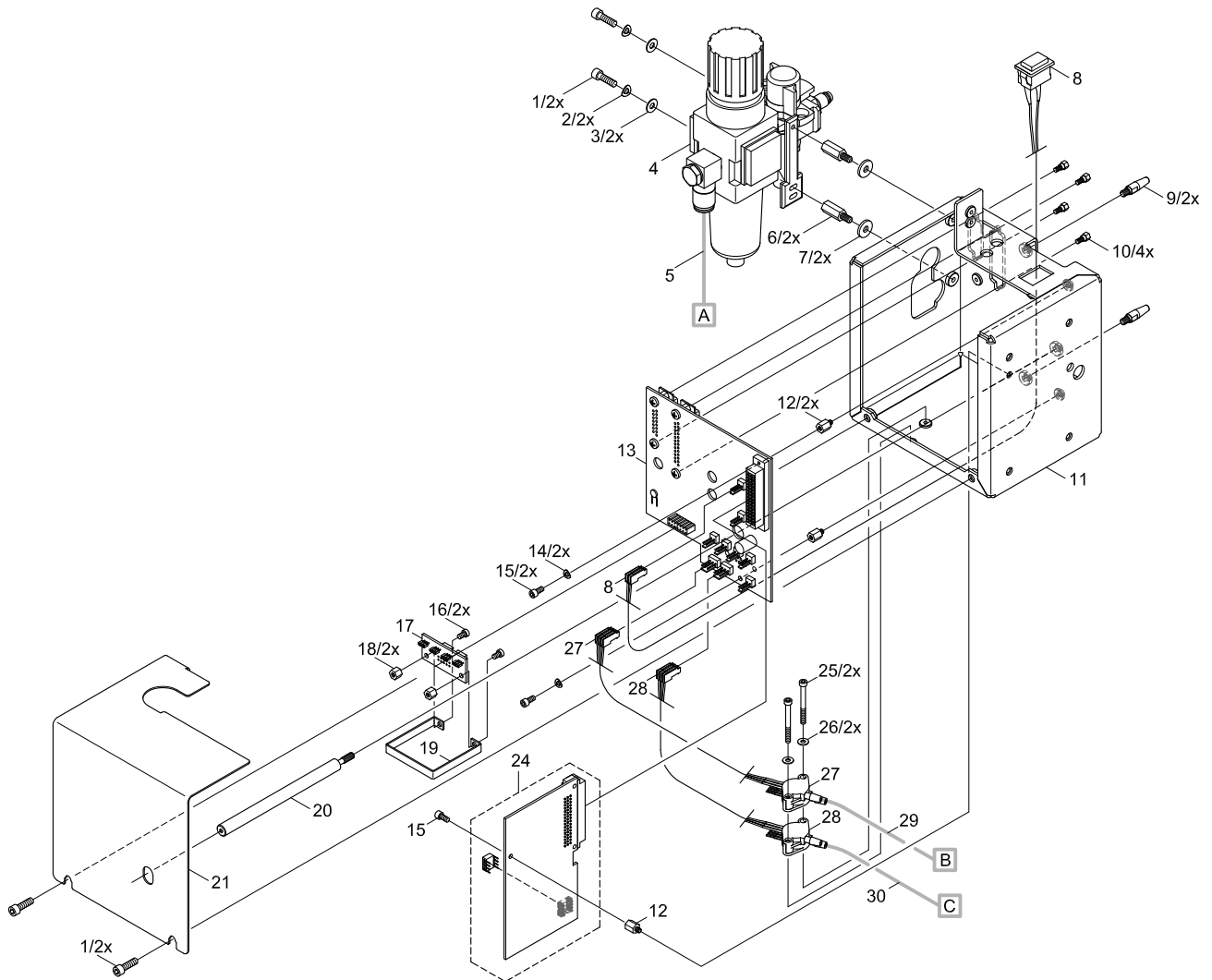
China 中国

cab (Shanghai) Trading Co., Ltd.
乾博(上海)贸易有限公司
Phone +86 21 6236-3161
www.cab.de/cn
info.cn@cab.de

Representatives in other countries on request

No.	Part No.	Description	PU	Serial No.	
				from	to
1	5902241.001	Screw DIN7984-M4x10	10		
2	5903001.001	Spring Washer DIN137-A4	10		
3	5903003.001	Washer DIN125-A4.3	10		
4	5905976.001	Service Unit	1		
5	5949066.001	Tube	1		
6	5900032.001	Distance Bolt M4x15	10		
7	5903520.001	Washer DIN7349-4.3	10		
8	5949046.001	Key	1		
9	5949144.001	Center Pin	1		
10	5902484.001	Bolt with Nut M3	10		
11	5949027.001	Frame	1		
12	5949058.001	Distance Bolt M3x7.5	1		
13	5949104.001	PCB Applicator Connectors	1		
14	5903002.001	Spring Washer DIN137-A3	10		

No.	Part No.	Description	PU	Serial No.	
				from	to
15	5902168.001	Screw DIN912-M3x5	10		
16	5902144.001	Screw DIN7984-M3x5	10		
17	5949106.001	PCB Valve Terminal	1		
18	5949147.001	Clamp Nut	1		
19	5949146.001	Clamp	1		
20	5949097.001	Knurled Screw	1		
21	5949143.001	Cover	1		
24	5955587.001	PCB Applicator Control	1		
25	5902393.001	Screw DIN912-M3x25	10		
26	5903004.001	Washer DIN125-A3.2	10		
27	5949137.001	Sensor	1		
28	5949129.001	Sensor	1		
29	5949057.001	Tube	1		
30	5949056.001	Tube	1		

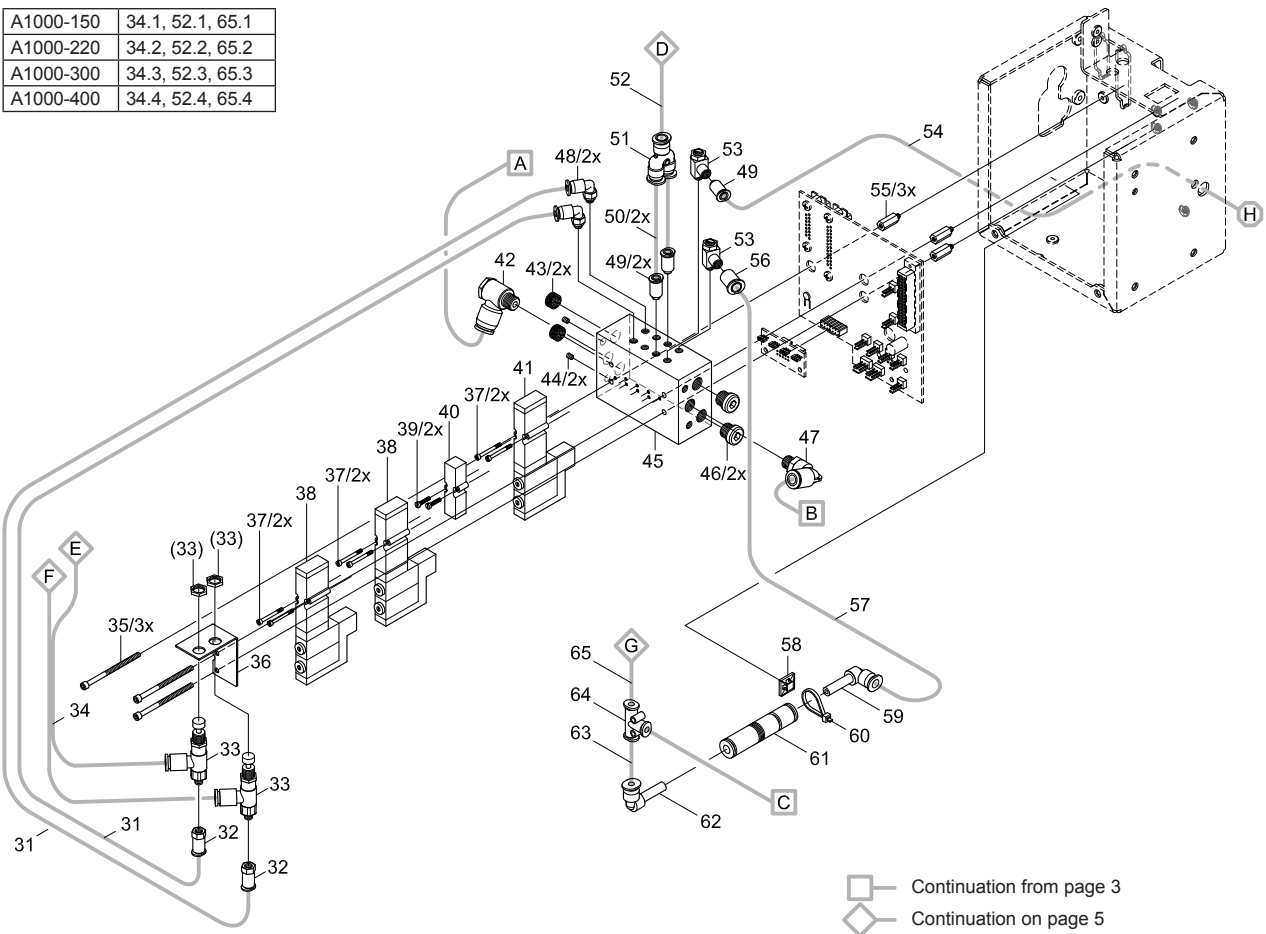


☐ Continuation on page 4

No.	Part No.	Description	PU	Serial No.	
				from	to
31	5949052.001	Tube	1		
32	5905437.001	Push-in/threaded Fitting	1		
33	5911003.001	Miniature Pressure Regulator	1		
34.1	5949200.001	Tube	1		
34.2	5949174.001	Tube	1		
34.3	5949114.001	Tube	1		
34.4	5949240.001	Tube	1		
35	5902261.001	Screw DIN7984-M3x35	10		
36	5949042.001	Bracket	1		
37	5906507.001	Screw M2x20	10		
38	5906022.001	Valve	1		
39	5902320.001	Screw DIN84-M2x10	10		
40	5906504.001	Cover Plate	1		
41	5906021.001	Valve	1		
42	5906019.001	Push-in/threaded Fitting	1		
43	5906506.001	Silencer	1		
44	5904556.001	Set Screw DIN913-M5x6	10		
45	5906505.001	Valve Terminal	1		
46	5905259.001	Plug	1		
47	5905317.001	Push-in L-Connector	1		
48	5905255.001	Push-in L-Connector	1		
49	5905283.001	Push-in/threaded Fitting	1		

No.	Part No.	Description	PU	Serial No.	
				from	to
50	5949053.001	Tube	1		
51	5905972.001	Push-in Y-Fitting	1		
52.1	5949202.001	Tube	1		
52.2	5949176.001	Tube	1		
52.3	5949117.001	Tube	1		
52.4	5949242.001	Tube	1		
53	5905249.001	One-way Flow Control Valve	1		
54	5949148.001	Tube	1		
55	5949059.001	Distance Bolt M3x13.5	1		
56	5905934.001	Push-in/threaded Fitting	1		
57	5949054.001	Tube	1		
58	5905124.001	Adhesive Plate 12.7x12.7	10		
59	5917462.001	Push-in L-Fitting	1		
60	5901505.001	Cable Clamp L=102	10		
61	5905975.001	Vacuum Generator	1		
62	5905971.001	Push-in/threaded L-Fitting	1		
63	5949055.001	Tube	1		
64	5905592.001	Push-in T-Fitting	1		
65.1	5949201.001	Tube	1		
65.2	5949175.001	Tube	1		
65.3	5949116.001	Tube	1		
65.4	5949241.001	Tube	1		

A1000-150	34.1, 52.1, 65.1
A1000-220	34.2, 52.2, 65.2
A1000-300	34.3, 52.3, 65.3
A1000-400	34.4, 52.4, 65.4

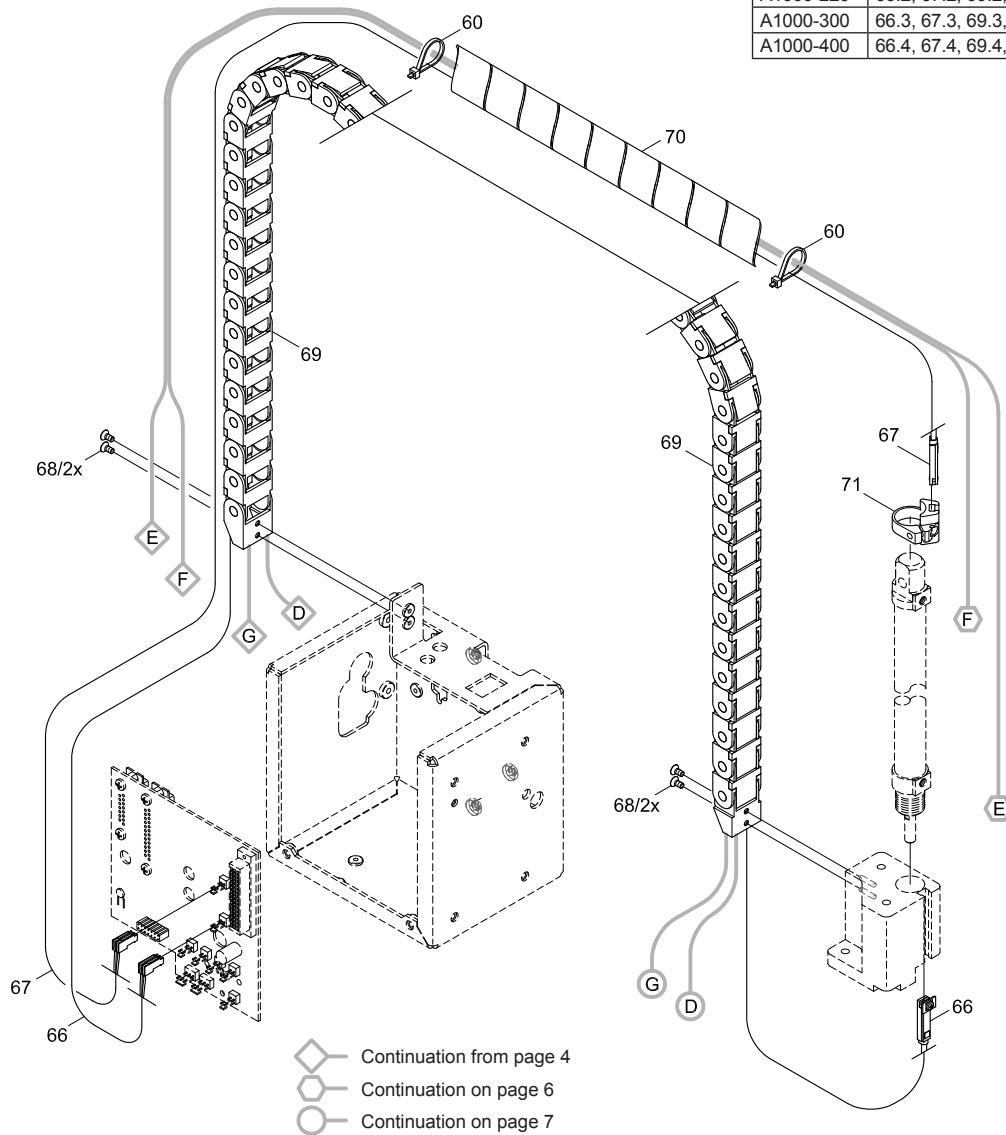


- Continuation from page 3
- ◇ Continuation on page 5
- Continuation on page 6

No.	Part No.	Description	PU	Serial No.	
				from	to
60	5901505.001	Cable Clamp L=102	10		
66.1	5949203.001	Sensor	1		
66.2	5949177.001	Sensor	1		
66.3	5949130.001	Sensor	1		
66.4	5949243.001	Sensor	1		
67.1	5949198.001	Sensor	1		
67.2	5949172.001	Sensor	1		
67.3	5949123.001	Sensor	1		
67.4	5949238.001	Sensor	1		
68	5902021.001	Screw DIN7991-M3x6	10		

No.	Part No.	Description	PU	Serial No.	
				from	to
69.1	5949199.001	Energy Track	1		
69.2	5949173.001	Energy Track	1		
69.3	5949033.001	Energy Track	1		
69.4	5949239.001	Energy Track	1		
70.1	5949245.001	Spiral Tube	1		
70.2	5949246.001	Spiral Tube	1		
70.3	5949204.001	Spiral Tube	1		
70.4	5964021.001	Spiral Tube	1		
71	5905593.001	Mounting Clip	1		

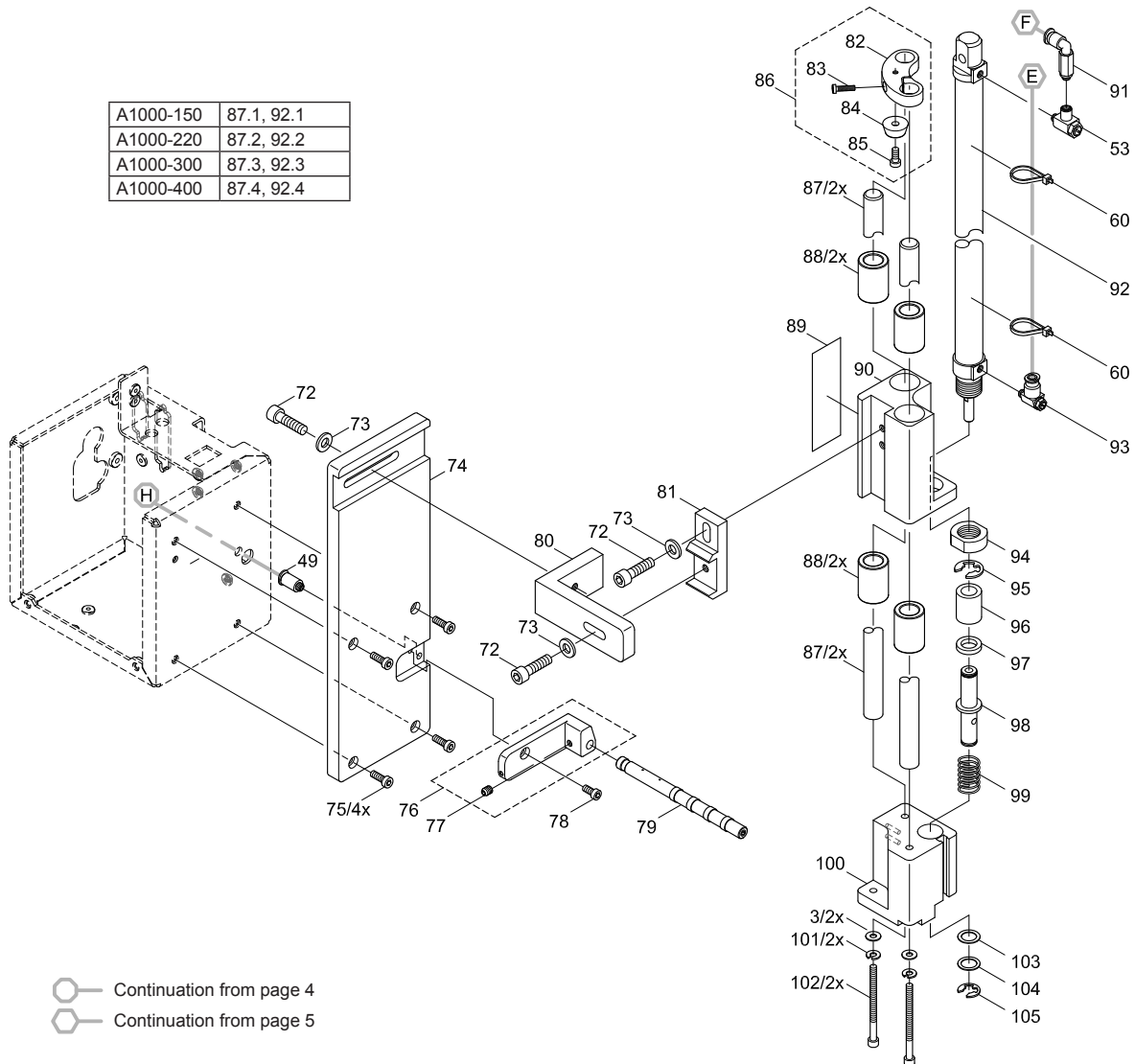
A1000-150	66.1, 67.1, 69.1, 70.1
A1000-220	66.2, 67.2, 69.2, 70.2
A1000-300	66.3, 67.3, 69.3, 70.3
A1000-400	66.4, 67.4, 69.4, 70.4



No.	Part No.	Description	PU	Serial No.	
				from	to
3	5903003.001	Washer DIN125-A4.3	10		
49	5905283.001	Push-in/threaded Fitting	1		
53	5905249.001	One-way Flow Control Valve	1		
60	5901505.001	Cable Clamp L=102	10		
72	5902262.001	Screw DIN912-M6x18	10		
73	5903040.001	Washer DIN125-A6.4	10		
74	5949140.001	Mounting Plate	1		
75	5902459.001	Screw DIN7984-M4x12	10		
76	5949145.001	Blow Tube Retainer	1		
77	5904518.001	Set Screw DIN916-M5x5	10		
78	5902358.001	Screw DIN7984-M4x6	10		
79	5949101.001	Blow Tube	1		
80	5949141.001	Bracket	1		
81	5949062.001	Adjusting Plate	1		
82	5949088.001	Stopper	1		
83	5902009.001	Screw DIN912-M3x12	10		
84	5905780.001	Foot	5		
85	5902397.001	Screw DIN7984-M4x6	10		
86	5949089.001	Stopper	1		
87.1	5949197.001	Rod	1		
87.2	5949171.001	Rod	1		
87.3	5949065.001	Rod	1		

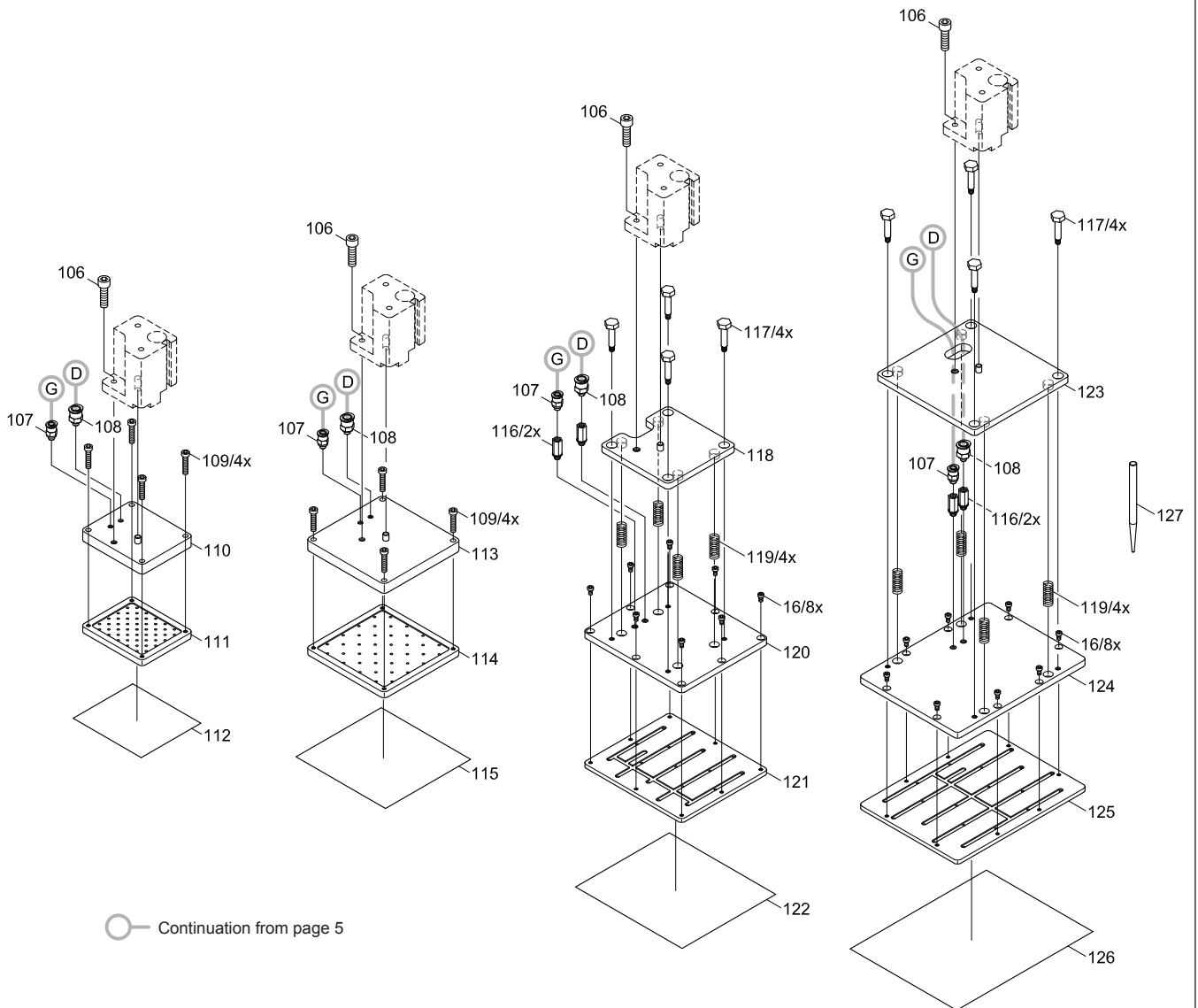
No.	Part No.	Description	PU	Serial No.	
				from	to
87.4	5949237.001	Rod	1		
88	5905599.001	Ball Bearing	1		
89	5949079.001	Sliding Foil	1		
90	5949061.001	Guide	1		
91	5905252.001	Push-in L-Connector	1		
92.1	5905873.001	Cylinder	1		
92.2	5905974.001	Cylinder	1		
92.3	5905973.001	Cylinder	1		
92.4	5906117.001	Cylinder	1		
93	5906636.001	One-way Flow Control Valve	1		
94	5521159.001	Nut	1		
95	5903510.001	E-Ring DIN6799-9	10		
96	5949113.001	Bushing	1		
97	5905602.001	Ring Magnet	1		
98	5949112.001	Adapter Bolt	1		
99	5905069.001	Spring	1		
100	5949064.001	Pad Holder	1		
101	5903029.001	Lock Washer DIN127-B4	10		
102	5902449.001	Screw DIN7984-M4x40	10		
103	5521158.001	Washer	1		
104	5521157.001	Washer	1		
105	5903501.001	E-Ring DIN6799-7	10		

A1000-150	87.1, 92.1
A1000-220	87.2, 92.2
A1000-300	87.3, 92.3
A1000-400	87.4, 92.4



No.	Part No.	Description	PU	Serial No.	
				from	to
16	5902144.001	Screw DIN7984-M3x5	10		
106	5902169.001	Screw DIN912-M6x14	10		
107	5905251.001	Push-in/threaded Fitting	1		
108	5905640.001	Push-in/threaded Fitting	1		
109	5902562.001	Screw DIN7984-M4x14	10		
110	5949073.001	Cover Plate	1		
111	5949071.001	Suction Plate	1		
112	5949074.001	Sliding Foil	1		
113	5949133.001	Cover Plate	1		
114	5949134.001	Suction Plate	1		
115	5949135.001	Sliding Foil	1		
116	5905518.001	Pipe Coupling	1		

No.	Part No.	Description	PU	Serial No.	
				from	to
117	5941017.001	Bolt	1		
118	5950658.001	Mounting Plate	1		
119	5906100.001	Spring	10		
120	5950659.001	Cover Plate	1		
121	5950660.001	Suction Plate	1		
122	5950661.001	Sliding Foil	1		
123	5950652.001	Mounting Plate	1		
124	5950653.001	Cover Plate	1		
125	5950654.001	Suction Plate	1		
126	5950655.001	Sliding Foil	1		
127	5949098.001	Piercing Pin	1		



Pos.	Figure/Page				No.	Part No.	Description	PU	SPR			Serial No.	
												from	to
1				6	104	5521157.001	Washer	1					
2				6	103	5521158.001	Washer	1					
3				6	94	5521159.001	Nut	1					
4	3				6	5900032.001	Distance Bolt M4x15	10					
5		4	5	6	60	5901505.001	Cable Clamp L=102	10					
6				6	83	5902009.001	Screw DIN912-M3x12	10					
7			5		68	5902021.001	Screw DIN7991-M3x6	10					
8	3				7	16	5902144.001	Screw DIN7984-M3x5	10				
9	3				15	5902168.001	Screw DIN912-M3x5	10					
10					7	106	5902169.001	Screw DIN912-M6x14	10				
11	3				1	5902241.001	Screw DIN7984-M4x10	10					
12		4			35	5902261.001	Screw DIN7984-M3x35	10					
13				6	72	5902262.001	Screw DIN912-M6x18	10					
14		4			39	5902320.001	Screw DIN84-M2x10	10					
15				6	78	5902358.001	Screw DIN7984-M4x6	10					
16	3				25	5902393.001	Screw DIN912-M3x25	10					
17				6	85	5902397.001	Screw DIN7984-M4x6	10					
18				6	102	5902449.001	Screw DIN7984-M4x40	10					
19				6	75	5902459.001	Screw DIN7984-M4x12	10					
20	3				10	5902484.001	Bolt with Nut M3	10					
21					7	109	5902562.001	Screw DIN7984-M4x14	10				
22	3				2	5903001.001	Spring Washer DIN137-A4	10					
23	3				14	5903002.001	Spring Washer DIN137-A3	10					
24	3			6	3	5903003.001	Washer DIN125-A4.3	10					
25	3				26	5903004.001	Washer DIN125-A3.2	10					
26				6	101	5903029.001	Lock Washer DIN127-B4	10					
27				6	73	5903040.001	Washer DIN125-A6.4	10					
28				6	105	5903501.001	E-Ring DIN6799-7	10					
29				6	95	5903510.001	E-Ring DIN6799-9	10					
30	3				7	5903520.001	Washer DIN7349-4.3	10					
31				6	77	5904518.001	Set Screw DIN916-M5x5	10					
32		4			44	5904556.001	Set Screw DIN913-M5x6	10					
33				6	99	5905069.001	Spring	1					
34		4			58	5905124.001	Adhesive Plate 12.7x12.7	10					
35		4		6	53	5905249.001	One-way Flow Control Valve	1		C	D		
36					7	107	5905251.001	Push-in/threaded Fitting	1				
37				6	91	5905252.001	Push-in L-Connector	1					
38		4			48	5905255.001	Push-in L-Connector	1					
39		4			46	5905259.001	Plug	1					
40		4		6	49	5905283.001	Push-in/threaded Fitting	1					
41		4			47	5905317.001	Push-in L-Connector	1					
42		4			32	5905437.001	Push-in/threaded Fitting	1					
43					7	116	5905518.001	Pipe Coupling	1				
44		4			64	5905592.001	Push-in T-Fitting	1					
45			5		71	5905593.001	Mounting Clip	1					
46				6	88	5905599.001	Ball Bearing	1					
47				6	97	5905602.001	Ring Magnet	1					
48					7	108	5905640.001	Push-in/threaded Fitting	1				
49				6	84	5905780.001	Foot	5					
50				6	92.1	5905873.001	Cylinder	1			D		
51		4			56	5905934.001	Push-in/threaded Fitting	1					
52		4			62	5905971.001	Push-in/threaded L-Fitting	1					
53		4			51	5905972.001	Push-in Y-Fitting	1					
54				6	92.3	5905973.001	Cylinder	1			D		
55				6	92.2	5905974.001	Cylinder	1			D		
56		4			61	5905975.001	Vacuum Generator	1		C	D		
57	3				4	5905976.001	Service Unit	1					
58		4			42	5906019.001	Push-in/threaded Fitting	1					
59		4			41	5906021.001	Valve	1		C	D		
60		4			38	5906022.001	Valve	1		C	D		
61					7	119	5906100.001	Spring	10				
62				6	92.4	5906117.001	Cylinder	1			D		
63		4			40	5906504.001	Cover Plate	1					
64		4			45	5906505.001	Valve Terminal	1					
65		4			43	5906506.001	Silencer	1		C	D		

PU Package unit

SPR Recommendation

A - wearing parts and accessories

B - recommended spare parts for quick repair

C - recommended spare parts for distributors

D - recommended spare parts for central stores

6 Spare Parts Register

Pos.	Figure/Page				No.	Part No.	Description	PU	SPR				Serial No.		
															from
66		4			37	5906507.001	Screw M2x20	10							
67				6	93	5906636.001	One-way Flow Control Valve	1			C	D			
68		4			33	5911003.001	Miniature Pressure Regulator	1			C	D			
69		4			59	5917462.001	Push-in L-Fitting	1							
70					7	117	5941017.001	Bolt	1						
71	3				11	5949027.001	Frame	1							
72			5		69.3	5949033.001	Energy Track	1							
73		4			36	5949042.001	Bracket	1							
74	3				8	5949046.001	Key	1							
75		4			31	5949052.001	Tube	1							
76		4			50	5949053.001	Tube	1							
77		4			57	5949054.001	Tube	1							
78		4			63	5949055.001	Tube	1							
79	3				30	5949056.001	Tube	1							
80	3				29	5949057.001	Tube	1							
81	3				12	5949058.001	Distance Bolt M3x7.5	1							
82		4			55	5949059.001	Distance Bolt M3x13.5	1							
83				6	90	5949061.001	Guide	1							
84				6	81	5949062.001	Adjusting Plate	1							
85				6	100	5949064.001	Pad Holder	1							
86				6	87.3	5949065.001	Rod	1							
87	3				5	5949066.001	Tube	1							
88					7	111	5949071.001	Suction Plate	1						
89					7	110	5949073.001	Cover Plate	1						
90					7	112	5949074.001	Sliding Foil	1		B	C	D		
91				6	89	5949079.001	Sliding Foil	1							
92				6	82	5949088.001	Stopper	1							
93				6	86	5949089.001	Stopper	1							
94	3				20	5949097.001	Knurled Screw	1							
95					7	127	5949098.001	Piercing Pin	1						
96				6	79	5949101.001	Blow Tube	1							
97	3				13	5949104.001	PCB Applicator Connectors	1				D			
98	3				17	5949106.001	PCB Valve Terminal	1				D			
99				6	98	5949112.001	Adapter Bolt	1							
100				6	96	5949113.001	Bushing	1							
101		4			34.3	5949114.001	Tube	1							
102		4			65.3	5949116.001	Tube	1							
103		4			52.3	5949117.001	Tube	1							
104			5		67.3	5949123.001	Sensor	1			C	D			
105	3				28	5949129.001	Sensor	1			C	D			
106			5		66.3	5949130.001	Sensor	1			C	D			
107					7	113	5949133.001	Cover Plate	1						
108					7	114	5949134.001	Suction Plate	1						
109					7	115	5949135.001	Sliding Foil	1		B	C	D		
110	3				27	5949137.001	Sensor	1			C	D			
111				6	74	5949140.001	Mounting Plate	1							
112				6	80	5949141.001	Bracket	1							
113	3				21	5949143.001	Cover	1							
114	3				9	5949144.001	Center Pin	1							
115				6	76	5949145.001	Blow Tube Retainer	1							
116	3				19	5949146.001	Clamp	1							
117	3				18	5949147.001	Clamp Nut	1							
118		4			54	5949148.001	Tube	1							
119				6	87.2	5949171.001	Rod	1							
120			5		67.2	5949172.001	Sensor	1			C	D			
121			5		69.2	5949173.001	Energy Track	1							
122		4			34.2	5949174.001	Tube	1							
123		4			65.2	5949175.001	Tube	1							
124		4			52.2	5949176.001	Tube	1							
125			5		66.2	5949177.001	Sensor	1			C	D			
126				6	87.1	5949197.001	Rod	1							
127			5		67.1	5949198.001	Sensor	1			C	D			
128			5		69.1	5949199.001	Energy Track	1							
129		4			34.1	5949200.001	Tube	1							
130		4			65.1	5949201.001	Tube	1							

PU Package unit

SPR Recommendation

A - wearing parts and accessories

B - recommended spare parts for quick repair

C - recommended spare parts for distributors

D - recommended spare parts for central stores

Pos.	Figure/Page				No.	Part No.	Description	PU	SPR				Serial No.		
													from	to	
131		4			52.1	5949202.001	Tube	1							
132			5		66.1	5949203.001	Sensor	1			C	D			
133			5		70.3	5949204.001	Spiral Tube	1							
134				6	87.4	5949237.001	Rod	1							
135			5		67.4	5949238.001	Sensor	1			C	D			
136			5		69.4	5949239.001	Energy Track	1							
137		4			34.4	5949240.001	Tube	1							
138		4			65.4	5949241.001	Tube	1							
139		4			52.4	5949242.001	Tube	1							
140			5		66.4	5949243.001	Sensor	1			C	D			
141			5		70.1	5949245.001	Spiral Tube	1							
142			5		70.2	5949246.001	Spiral Tube	1							
143				7	123	5950652.001	Mounting Plate	1							
144				7	124	5950653.001	Cover Plate	1							
145				7	125	5950654.001	Suction Plate	1							
146				7	126	5950655.001	Sliding Foil	1			B	C	D		
147				7	118	5950658.001	Mounting Plate	1							
148				7	120	5950659.001	Cover Plate	1							
149				7	121	5950660.001	Suction Plate	1							
150				7	122	5950661.001	Sliding Foil	1			B	C	D		
151	3				24	5955587.001	PCB Applicator Control	1			B	C	D		
152			5		70.4	5964021.001	Spiral Tube	1							
153						9008348.001	Operator's Manual A1000 de/en	1							

7 Technical Documents

Pos.	Figure/Page				No.	Part No.	Description	PU	SPR				Serial No.	
													from	to
154						9109176.001	Packaging	1				D		

8 Packaging/Accessories

PU Package unit
 SPR Recommendation
 A - wearing parts and accessories
 B - recommended spare parts for quick repair

C - recommended spare parts for distributors
 D - recommended spare parts for central stores