

# Spare Parts List



Label Printer

**A4+M**

Made in Germany

## for the following products

Family	Type
A+M	A4+M/300
	A4+M/600

**Edition:** 4/2017 - Part No. 9008690

**Copyright**

This documentation as well as translation hereof are property of cab Produkttechnik GmbH & Co. KG.

The replication, conversion, duplication or divulgement of the whole manual or parts of it for other intentions than its original intended purpose - in particular the procurement of spare parts for products sold by cab – demand the previous written authorisation by cab.

**Editor**

Regarding questions or comments please contact cab Produkttechnik GmbH & Co. KG.

**Topicality**

Due to the constant further development of our products discrepancies between documentation and product can occur.

Please check [www.cab.de](http://www.cab.de) for the latest update.

**Terms and conditions**

Deliveries and performances are effected under the "General conditions of sale of cab"

**Table of Contents**

1	Chassis, Cover .....	3
2	Control Panel, Power Supply, PCB CPU .....	4
3	Printhead Assembly .....	5
4	Print Roller Assembly, Label Sensor .....	6
5	Main Drive, Roll Retainer .....	7
6	Transfer Ribbon Winders .....	8
7	Spare Parts Register .....	9
8	Packaging/Accessories.....	10

**Germany**

cab Produkttechnik  
GmbH & Co KG  
Postfach 1904  
D-76007 Karlsruhe  
Wilhelm-Schickard-Str. 14  
D-76131 Karlsruhe  
Telefon +49 721 6626-0  
Telefax +49 721 6626-249  
[www.cab.de](http://www.cab.de)  
[info@cab.de](mailto:info@cab.de)

**France**

cab technologies s.a.r.l.  
F-67350 Niedermodern  
Téléphone +33 388 722 501  
[www.cab.de/fr](http://www.cab.de/fr)  
[info.fr@cab.de](mailto:info.fr@cab.de)

**USA**

cab Technology Inc.  
Tyngsboro MA, 01879  
Phone +1 978 649 0293  
[www.cab.de/us](http://www.cab.de/us)  
[info.us@cab.de](mailto:info.us@cab.de)

**Asia 亚洲**

cab Technology Co., Ltd.  
希愛比科技股份有限公司  
Junghe, Taipei, Taiwan  
Phone +886 2 8227 3966  
[www.cab.de/tw](http://www.cab.de/tw)  
[info.asia@cab.de](mailto:info.asia@cab.de)

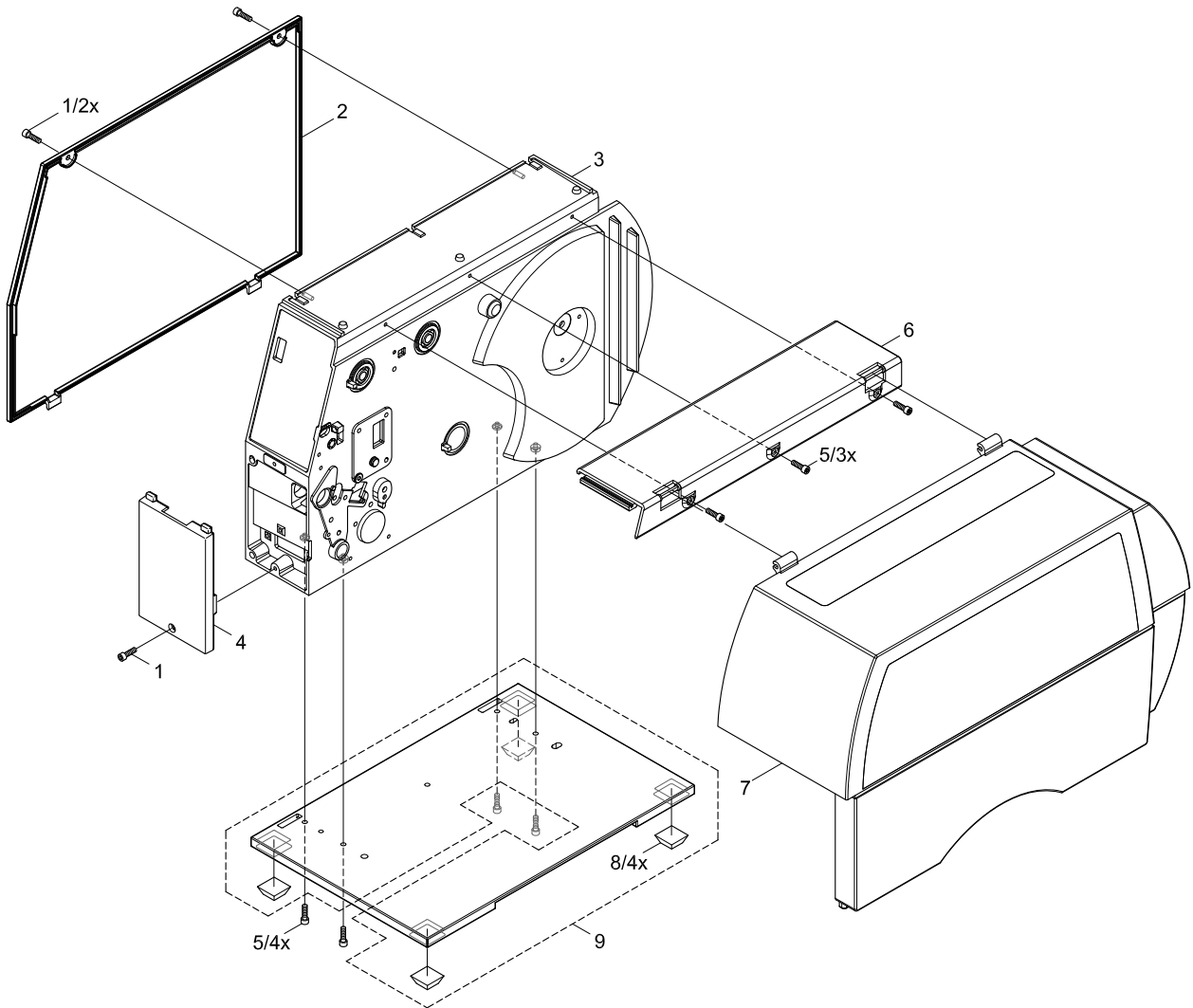
**China 中国**

cab (Shanghai) Trading Co., Ltd.  
乾博(上海)贸易有限公司  
Phone +86 21 6236-3161  
[www.cab.de/cn](http://www.cab.de/cn)  
[info.cn@cab.de](mailto:info.cn@cab.de)

Representatives in other countries on request

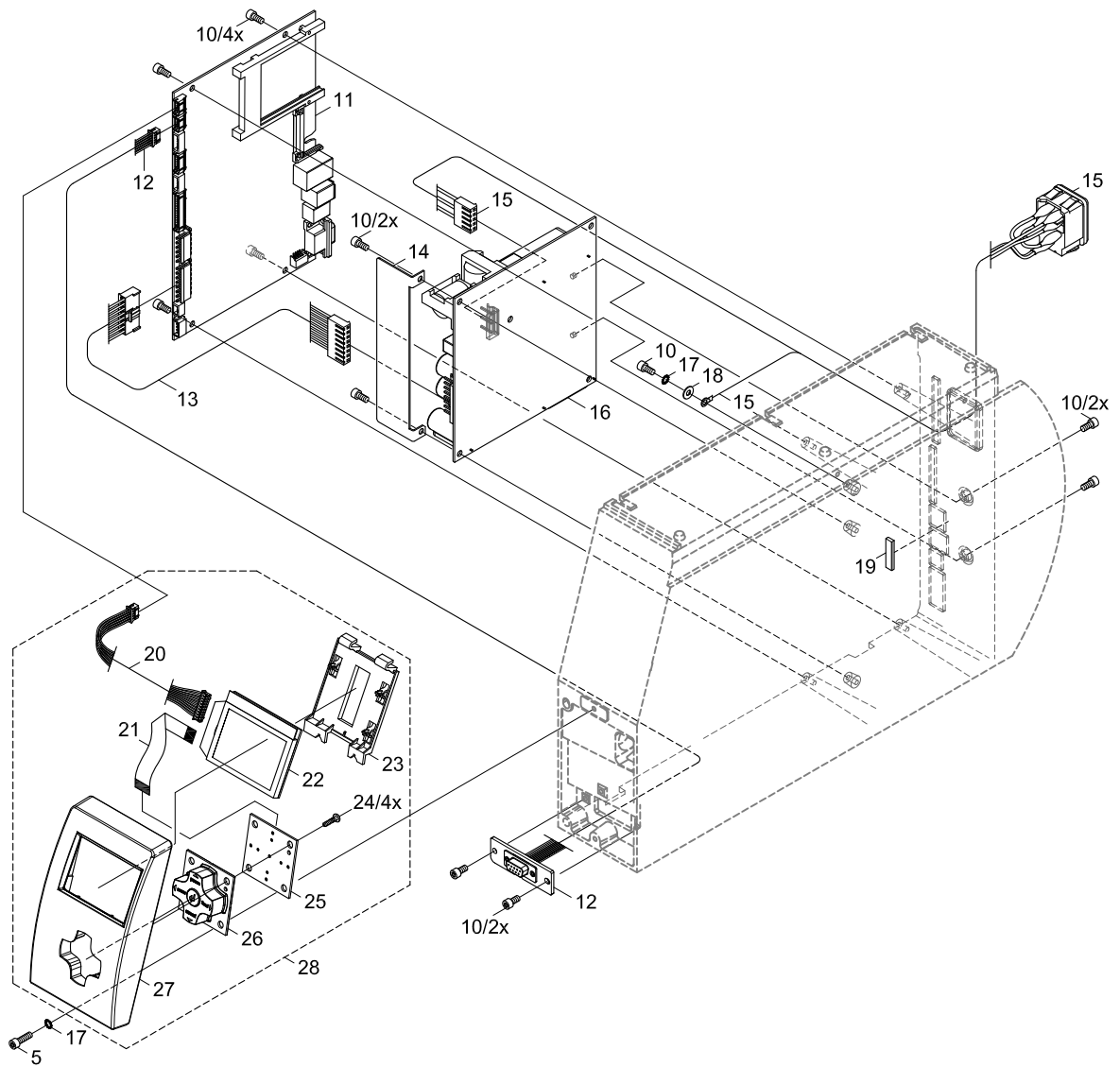
# 1 Chassis, Cover

No	Part No.	Description	PU	Note	Serial No.	
					from	to
1	5902241.001	Screw DIN7984-M4x10	10			
2	5954399.001	Cover Plate	1			
3	5958593.001	Chassis	1			
4	5943004.001	Cover	1			
5	5902565.001	Screw DIN7984-M4x10	10			
6	5943113.001	Cover	1			
7	5948656.001	Cover	1			
8	5905652.001	Foot	5			
9	5943083.001	Baseplate	1			



No	Part No.	Description	PU	Note	Serial No.	
					from	to
5	5902565.001	Screw DIN7984-M4x10	10			
10	5902571.001	Screw DIN7984-M4x6	10			
11	5551118.001	CPU X2	1			
12	5954095.001	Cable Periphery	1			
13	5943107.001	Cable Power Supply	1			
14	5954179.001	Cover Plate	1			
15	5955046.001	Power Input Module	1			
16	5956220.001	Power Supply	1			
17	5903011.001	Toothed Washer DIN6797-A4.3	10			
18	5903003.001	Washer DIN125-A4.3	10			

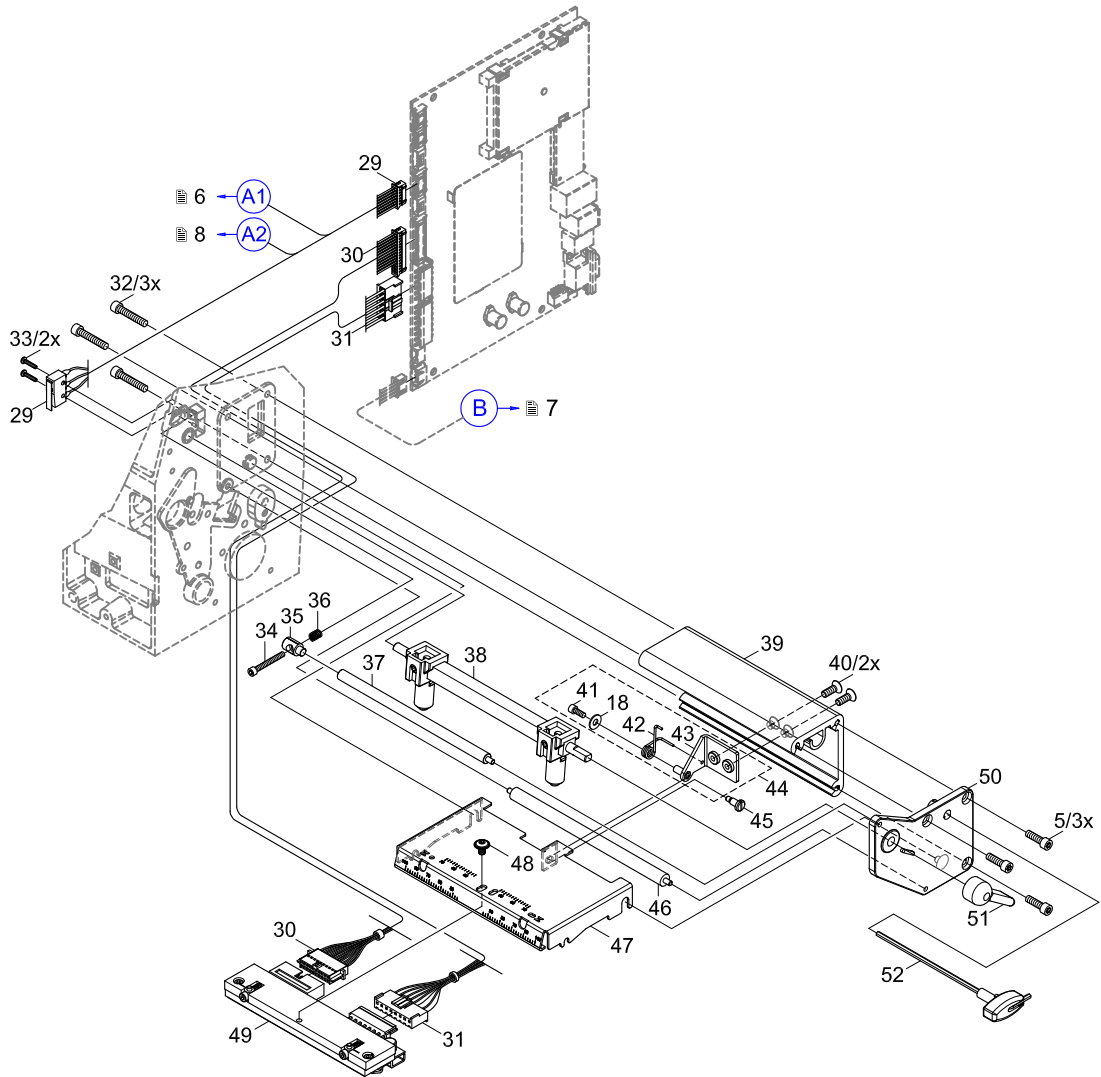
No	Part No.	Description	PU	Note	Serial No.	
					from	to
19	5954132.001	Strip	5			
20	5954097.001	Cable Control Panel	1			
21	5954027.001	Cable Control Panel	1			
22	5540868.001	LCD Display	1			
23	5954026.001	Holder	1			
24	5902414.001	Screw EJOT-PT-K30x12	10			
25	5955034.001	PCB Navi Button	1			
26	5540930.001	Navigator Pad	1			
27	5954025.001	Control Panel Cover	1			
28	5954020.001	Control Panel	1			



### 3 Printhead Assembly

No	Part No.	Description	PU	Note	Serial No.	
					from	to
5	5902565.001	Screw DIN7984-M4x10	10			
18	5903003.001	Washer DIN125-A4.3	10			
29	5954099.001	Cable Sensors	1			
30	5954067.001	Cable Printhead	1			
31	5954066.001	Cable Printhead	1			
32	5902572.001	Screw DIN7984-M4x16	10			
33	5902457.001	Screw DIN7985-M2x10	10			
34	5902011.001	Screw DIN912-M3x20	10			
35	5954060.001	Pivot Arm	1			
36	5906136.001	Spring	5			
37	5954061.001	Roller Ribbon	1			
38	5954070.001	Printhead Locking System	1			
39	5959741.001	Profile	1			
40	5902573.001	Screw DIN7991-M4x8	10			

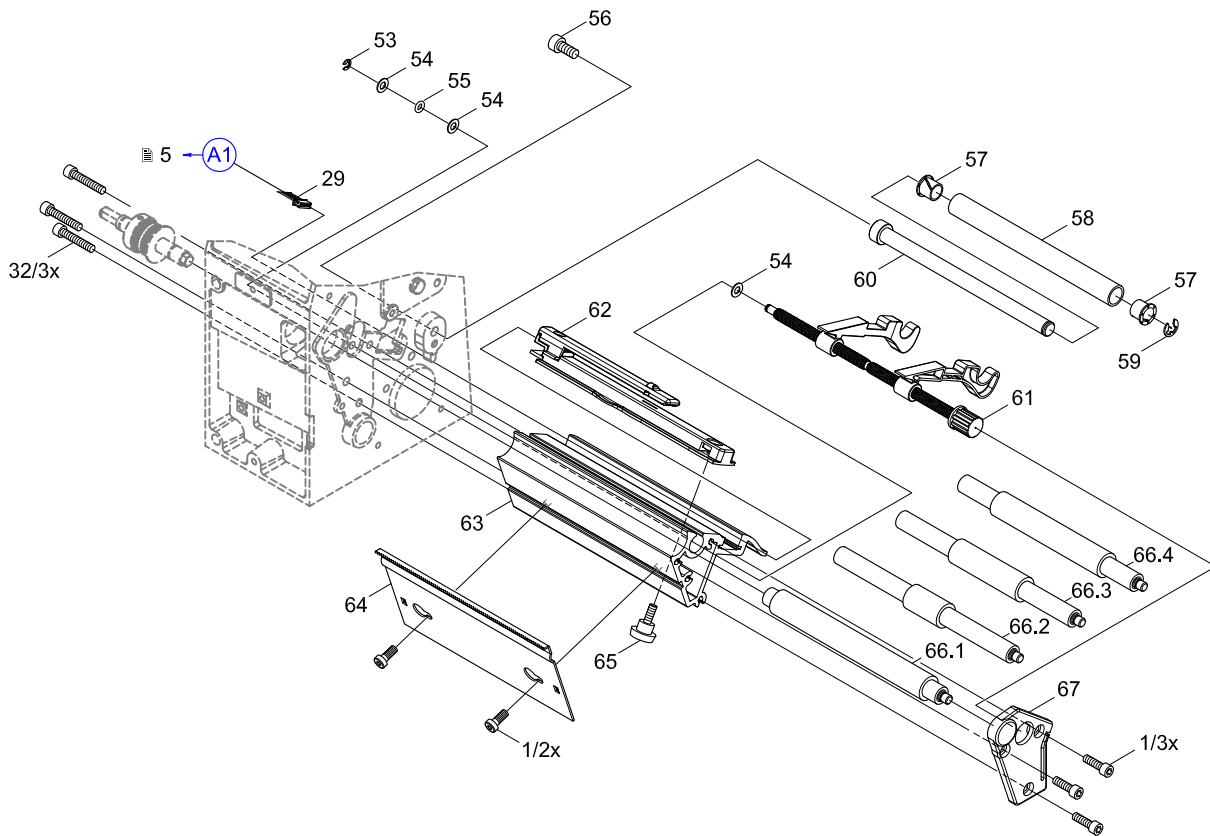
No	Part No.	Description	PU	Note	Serial No.	
					from	to
41	5902007.001	Screw DIN912-M3x6	10			
42	5954057.001	Spring	1			
43	5954134.001	Bracket	1			
44	5954135.001	Bracket	1			
45	5902145.001	Screw DIN923-M3x6	10			
46	5954044.001	Roller	1			
47	5958589.001	Printhead Mounting Bracket	1			
48	5902817.001	Screw sim. ISO7380-M4x6	10			
49.1	5954072.001	Printhead 4/300	1	300		
49.2	5954077.001	Printhead 4/600	1	600		
50	5959742.001	Side Plate	1			
51	5954059.001	Lever	1			
52	5946113.001	Allen Key	1			



No	Part No.	Description	PU	Note	Serial No.	
					from	to
1	5902241.001	Screw DIN7984-M4x10	10			
29	5954099.001	Cable Sensors	1			
32	5902572.001	Screw DIN7984-M4x16	10			
53	5903507.001	E-Ring DIN6799-3.2	10			
54	5903090.001	Washer DIN988-4x8x0.5	10			
55	5905570.001	O-Ring 5x1.5	10			
56	5902281.001	Screw DIN7984-M5x12	10			
57	5901124.001	Plastic Bushing	10			
58	5958585.001	Belt Roller	1			
59	5903505.001	E-Ring DIN6799-5	10			
60	5958584.001	Axle	1			

No	Part No.	Description	PU	Note	Serial No.	
					from	to
61	5958580.001	Spindle-M	1			
62	5958670.001	Label Sensor	1			
63	5958575.001	Profile	1			
64	5946244.001	Tear-off Plate TP4	1			
65	5902670.001	Thumbscrew	1			
66.1	5954180.001	Drive Roller DR4	1			
66.2	5953700.001	Drive Roller DR4-M25	1	O		
66.3	5953701.001	Drive Roller DR4-M50	1	O		
66.4	5953702.001	Drive Roller DR4-M80	1	O		
67	5958582.001	Side Plate	1			

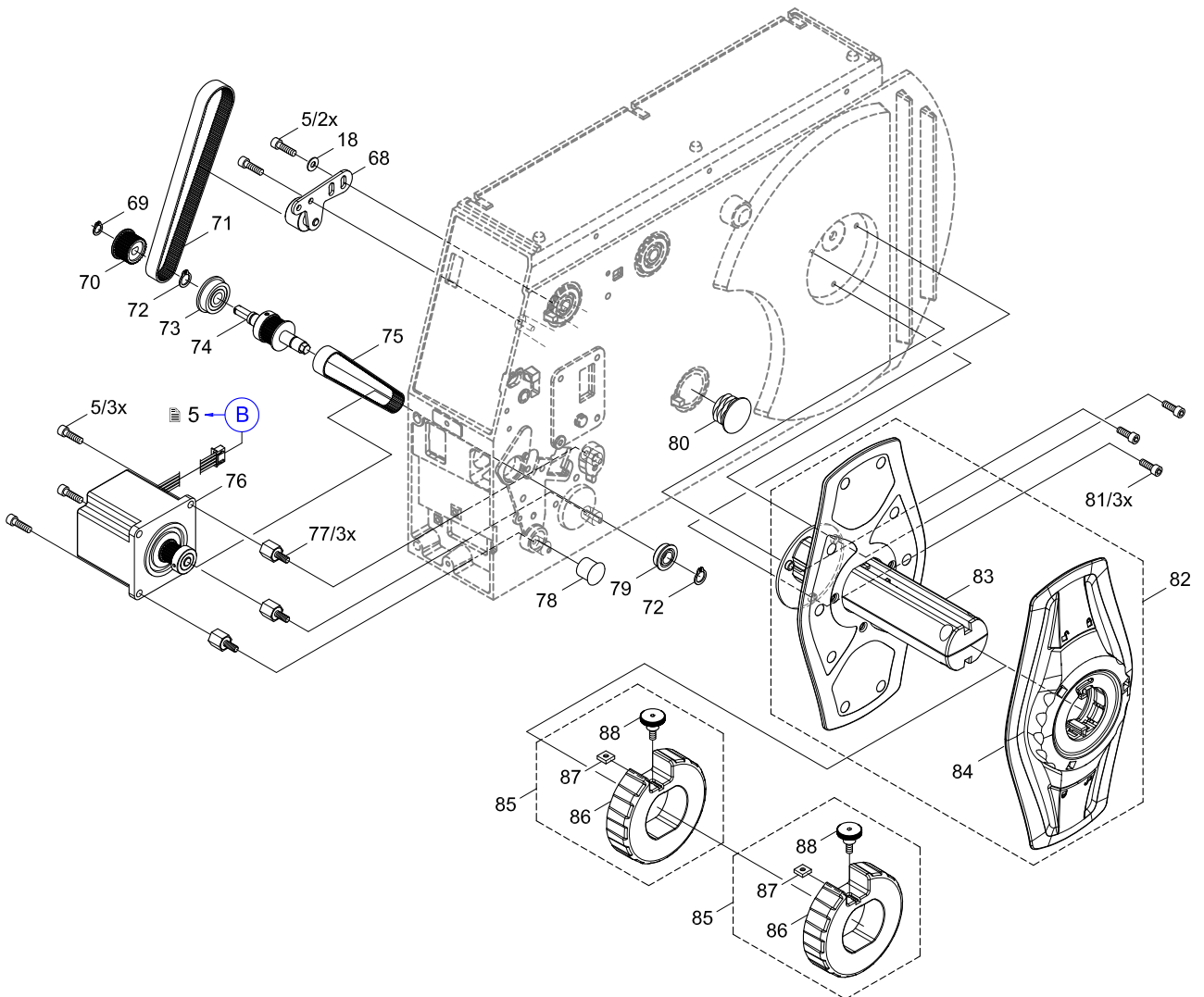
Note O Option



# 5 Main Drive, Roll Retainer

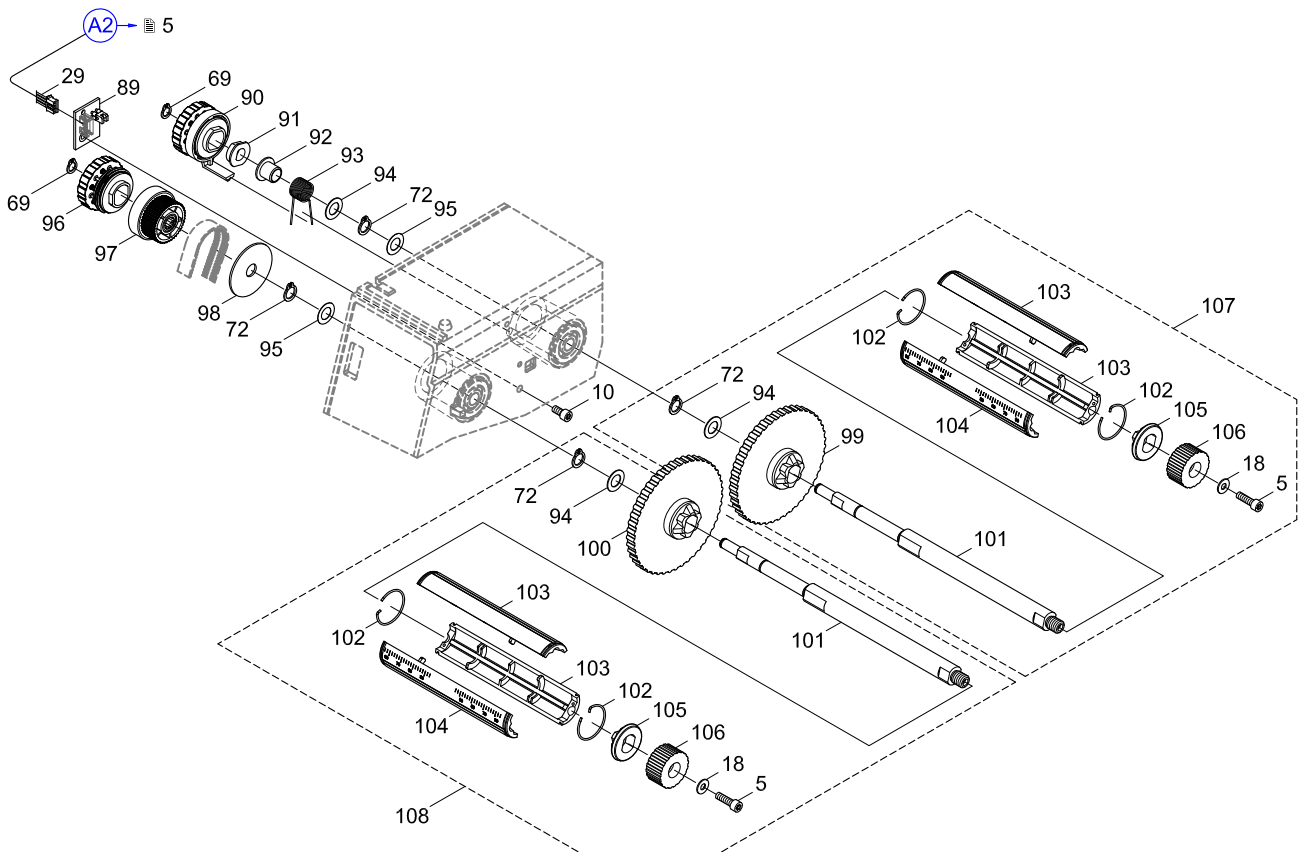
No	Part No.	Description	PU	Note	Serial No.	
					from	to
5	5902565.001	Screw DIN7984-M4x10	10			
18	5903003.001	Washer DIN125-A4.3	10			
68	5954160.001	Belt Tension Bracket	1			
69	5903521.001	Snap Ring DIN471-A6	10			
70	5946238.001	Gear 29	1			
71	5905196.001	Belt 150MXL 037	1			
72	5903516.001	Snap Ring DIN471-8x0.8	10			
73	5901090.001	Ball Bearing DIN625-F608-ZZ	1			
74	5954182.001	Shaft	1			
75	5905649.001	Belt 106MXL 037	1			
76	5946208.001	Stepper Motor	1			
77	5906157.001	Shock Absorber	5			

No	Part No.	Description	PU	Note	Serial No.	
					from	to
78	5905866.001	Stopper 16x0.8	1			
79	5901071.001	Ball Bearing DIN625-F688-ZZ	1			
80	5905699.001	Stopper 25x1	1			
81	5902489.001	Screw DIN7984-M4x8	10			
82	5959580.001	Media Hub M	1			
83	5959601.001	Media Hub	1			
84	5959588.001	Margin Stop	1			
85	5959612.001	Adapter 75 mm Ø	1			
86	5959611.001	Adapter 75 mm Ø	1			
87	8910053.001	Square Nut M4 8mm	10			
88	5959624.001	Knurled Screw	1			



No	Part No.	Description	PU	Note	Serial No.	
					from	to
5	5902565.001	Screw DIN7984-M4x10	10			
10	5902571.001	Screw DIN7984-M4x6	10			
18	5903003.001	Washer DIN125-A4.3	10			
29	5954099.001	Cable Sensors	1			
69	5903521.001	Snap Ring DIN471-A6	10			
72	5903516.001	Snap Ring DIN471-8x0.8	10			
89	5954024.001	Ribbon Sensor	1			
90	5954114.001	Brake	1			
91	5541172.001	Pivot Arm	1			
92	5901123.001	Plastic Bushing	10			
93	5954131.001	Spring	5			
94	5903020.001	Washer DIN988-8x14x0.5	10			
95	5903038.001	Washer DIN988-8x14x0.2	10			

No	Part No.	Description	PU	Note	Serial No.	
					from	to
96	5954113.001	Slipping Clutch	1			
97	5954115.001	Gear 42	1			
98	5903128.001	Washer 35x8.4x1.25	10			
99	5954120.001	Wall Spacer	1			
100	5954112.001	Wall Spacer	1			
101	5954128.001	Axle	1			
102	5954124.001	Snap Ring	10			
103	5954122.001	Shell	1			
104	5958595.001	Shell	1			
105	5954121.001	Cone	1			
106	5943022.001	Knurled Knob	1			
107	5958592.001	Ribbon Supply Hub	1			
108	5958591.001	Ribbon Takeup Hub	1			





## 7 Spare Parts Register

9

Pos.	Figure/Page						Nr.	Part No.	Description	PU	SPR				Notes	Serial No.	
1		4					22	5540868.001	LCD Display	1			C	D			
2		4					26	5540930.001	Navigator Pad	1				D			
3						8	91	5541172.001	Pivot Arm	1							
4		4					11	5551118.001	CPU X2	1		B	C	D			
5					7		79	5901071.001	Ball Bearing DIN625-F688-ZZ	1							
6					7		73	5901090.001	Ball Bearing DIN625-F608-ZZ	1							
7						8	92	5901123.001	Plastic Bushing	10				D			
8				6			57	5901124.001	Plastic Bushing	10				D			
9			5				41	5902007.001	Screw DIN912-M3x6	10							
10			5				34	5902011.001	Screw DIN912-M3x20	10							
11			5				45	5902145.001	Screw DIN923-M3x6	10							
12	3			6			1	5902241.001	Screw DIN7984-M4x10	10							
13				6			56	5902281.001	Screw DIN7984-M5x12	10							
14		4					24	5902414.001	Screw EJOT-PT-K30x12	10							
15			5				33	5902457.001	Screw DIN7985-M2x10	10							
16					7		81	5902489.001	Screw DIN7984-M4x8	10							
17	3	4	5		7	8	5	5902565.001	Screw DIN7984-M4x10	10							
18		4				8	10	5902571.001	Screw DIN7984-M4x6	10							
19			5	6			32	5902572.001	Screw DIN7984-M4x16	10							
20			5				40	5902573.001	Screw DIN7991-M4x8	10							
21				6			65	5902670.001	Thumbscrew	1							
22			5				48	5902817.001	Screw sim. ISO7380-M4x6	10							
23		4	5		7	8	18	5903003.001	Washer DIN125-A4.3	10							
24		4					17	5903011.001	Toothed Washer DIN6797-A4.3	10							
25						8	94	5903020.001	Washer DIN988-8x14x0.5	10							
26						8	95	5903038.001	Washer DIN988-8x14x0.2	10							
27				6			54	5903090.001	Washer DIN988-4x8x0.5	10							
28						8	98	5903128.001	Washer 35x8.4x1.25	10							
29				6			59	5903505.001	E-Ring DIN6799-5	10							
30				6			53	5903507.001	E-Ring DIN6799-3.2	10							
31					7	8	72	5903516.001	Snap Ring DIN471-8x0.8	10							
32					7	8	69	5903521.001	Snap Ring DIN471-A6	10							
33					7		71	5905196.001	Belt 150MXL 037	1			C	D			
34				6			55	5905570.001	O-Ring 5x1.5	10							
35					7		75	5905649.001	Belt 106MXL 037	1			C	D			
36	3						8	5905652.001	Foot	5							
37					7		80	5905699.001	Stopper 25x1	1							
38					7		78	5905866.001	Stopper 16x0.8	1							
39			5				36	5906136.001	Spring	5							
40					7		77	5906157.001	Shock Absorber	5			C	D			
41	3						4	5943004.001	Cover	1							
42						8	106	5943022.001	Knurled Knob	1				D			
43	3						9	5943083.001	Baseplate	1							
44		4					13	5943107.001	Cable Power Supply	1							
45	3						6	5943113.001	Cover	1							
46			5				52	5946113.001	Allen Key	1							
47					7		76	5946208.001	Stepper Motor	1			C	D			
48					7		70	5946238.001	Gear 29	1							
49				6			64	5946244.001	Tear-off Plate TP4	1							
50	3						7	5948656.001	Cover	1							
51				6			66.2	5953700.001	Drive Roller DR4-M25	1					Option		
52				6			66.3	5953701.001	Drive Roller DR4-M50	1					Option		
53				6			66.4	5953702.001	Drive Roller DR4-M80	1					Option		
54		4					28	5954020.001	Control Panel	1			C	D			
55						8	89	5954024.001	Ribbon Sensor	1			C	D			
56		4					27	5954025.001	Control Panel Cover	1							
57		4					23	5954026.001	Holder	1							
58		4					21	5954027.001	Cable Control Panel	1							
59			5				46	5954044.001	Roller	1							
60			5				42	5954057.001	Spring	1							
61			5				51	5954059.001	Lever	1							
62			5				35	5954060.001	Pivot Arm	1							
63			5				37	5954061.001	Roller Ribbon	1							

PU Package unit

SPR Recommendation

A - wearing parts and accessories

B - recommended spare parts for quick repair

C - recommended spare parts for distributors

D - recommended spare parts for central stores

Pos.	Figure/Page				Nr.	Part No.	Description	PU	SPR				Notes	Serial No.	
														from	to
64			5		31	5954066.001	Cable Printhead	1							
65			5		30	5954067.001	Cable Printhead	1							
66			5		38	5954070.001	Printhead Locking System	1							
67			5		49.1	5954072.001	Printhead 4/300	1	A	B	C	D	300		
68			5		49.2	5954077.001	Printhead 4/600	1	A	B	C	D	600		
69		4			12	5954095.001	Cable Periphery	1							
70		4			20	5954097.001	Cable Control Panel	1							
71			5	6	8	29	5954099.001	Cable Sensors	1						
72					8	100	5954112.001	Wall Spacer	1						
73					8	96	5954113.001	Slipping Clutch	1		B	C	D		
74					8	90	5954114.001	Brake	1		B	C	D		
75					8	97	5954115.001	Gear 42	1						
76					8	99	5954120.001	Wall Spacer	1						
77					8	105	5954121.001	Cone	1						
78					8	103	5954122.001	Shell	1						
79					8	102	5954124.001	Snap Ring	10		B	C	D		
80					8	101	5954128.001	Axle	1						
81					8	93	5954131.001	Spring	5						
82		4			19	5954132.001	Strip	5							
83			5		43	5954134.001	Bracket	1							
84			5		44	5954135.001	Bracket	1							
85					7	68	5954160.001	Belt Tension Bracket	1						
86		4			14	5954179.001	Cover Plate	1							
87					6	66.1	5954180.001	Drive Roller DR4	1	A	B	C	D		
88					7	74	5954182.001	Shaft	1						
89	3				2	5954399.001	Cover Plate	1							
90		4			25	5955034.001	PCB Navi Button	1			C	D			
91		4			15	5955046.001	Power Input Module	1			C	D			
92		4			16	5956220.001	Power Supply	1			C	D			
93					6	63	5958575.001	Profile	1						
94					6	61	5958580.001	Spindle-M	1				D		
95					6	67	5958582.001	Side Plate	1						
96					6	60	5958584.001	Axle	1						
97					6	58	5958585.001	Belt Roller	1						
98			5		47	5958589.001	Printhead Mounting Bracket	1							
99					8	108	5958591.001	Ribbon Takeup Hub	1						
100					8	107	5958592.001	Ribbon Supply Hub	1						
101	3				3	5958593.001	Chassis	1							
102					8	104	5958595.001	Shell	1				D		
103					6	62	5958670.001	Label Sensor	1			C	D		
104					7	82	5959580.001	Media Hub M	1						
105					7	84	5959588.001	Margin Stop	1						
106					7	83	5959601.001	Media Hub	1						
107					7	86	5959611.001	Adapter 75 mm Ø	1						
108					7	85	5959612.001	Adapter 75 mm Ø	1						
109					7	88	5959624.001	Knurled Screw	1						
110			5		39	5959741.001	Profile	1							
111			5		50	5959742.001	Side Plate	1							
112					7	87	8910053.001	Square Nut M4 8mm	10						

## 8 Packaging/Accessories

Pos.	Figure/Page				Nr.	Part No.	Description	PU	SPR				Notes	Serial No.	
														from	to
113					-	5550611.001	Power Cable Type E+F	1							
114					-	5901655.001	Cable USB	1							
115					-	9109292.001	Packaging	1							

PU Package unit

SPR Recommendation

A - wearing parts and accessories

B - recommended spare parts for quick repair

C - recommended spare parts for distributors

D - recommended spare parts for central stores