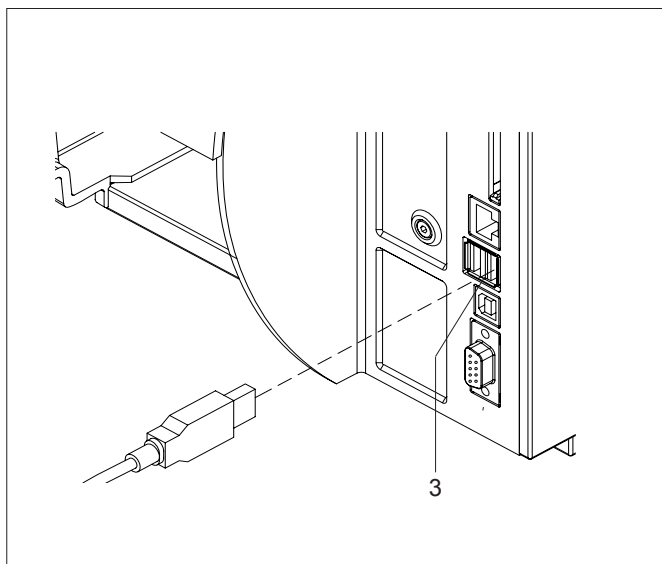
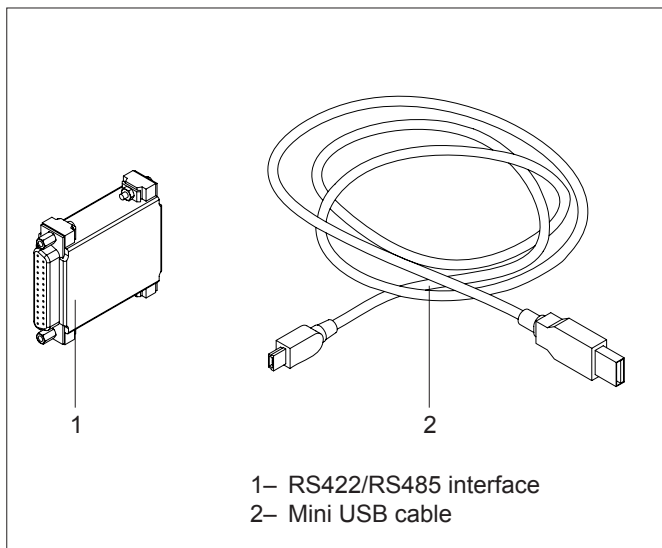


Operating Instructions

RS422/RS485 Interface (Part No. 5954201)

Edition: 3/10 · Part No. 9008571



Setup			
Interfaces			
Parameter	Meaning	Selection	
RS-422/485			
Interface 422/485	Selection of the interface type Default : RS422	RS422 RS485	
Baud rate 422/485	Speed of data transfer Default : 57.600	1.200 ... 230.400	
Handshake 422/485	Handshake protocol (RS422 only) Default : XON/XOFF	XON/ XOFF ---	
Network address 422/485	Address in the RS485-network (RS485 only) Default : A	A ... Z	

Function

With the external RS422/RS485 interface printers of the A+ and MACH4 series can be connected to the industrial serial interfaces RS422 or RS485.

The RS-422 interface should be used if the computer is more than 50ft (15m) away from the printer. The RS-485 interface is provided for using the printer as part of a networked system.



To operate the RS422/RS485 interface printer the firmware version 3.03 or higher is needed !

Technical Specification

RS422 : Baud rate	1.200 - 230.400 Baud
Handshake	XON/XOFF, ---
Data bits	8 Bit
RS485 : Baud rate	1.200 - 230.400 Baud
Network address	A ... Z
Data bits	8 Bit

Mounting

- ▶ Connect the RS422/RS485 interface (1) to an USB-Master interface (3) of the printer using the Mini-USB cable (2).
- ▶ Connect the 25-pin socket of the RS422/RS485 interface (1) with a suitable interface cable with the matching port of the computer.

Startup

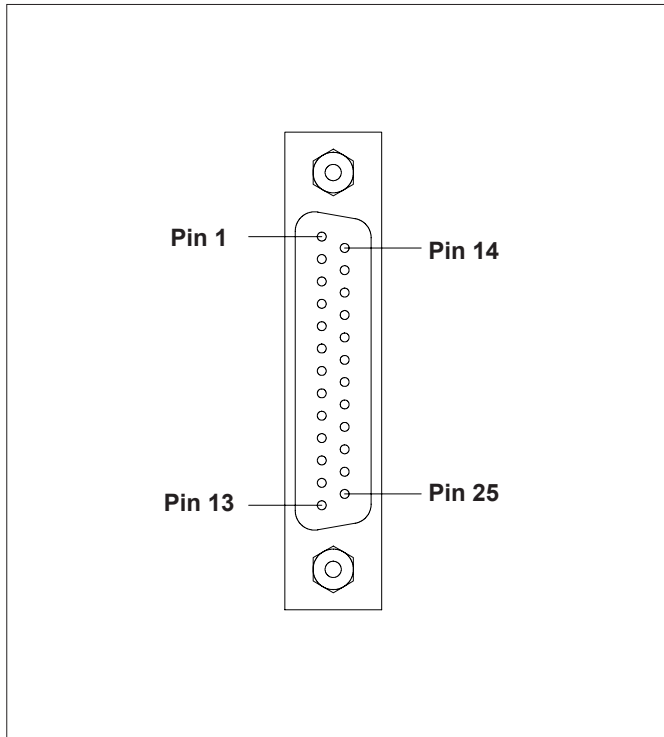
After switching on the printer, the computer detects the new hardware component and ask you to install the printer driver.

- ▶ If you want to work with CABLABEL, the installation of the Windows Printer Driver is not necessary because CABLABEL has own internal drivers.
- ▶ Otherwise install the Windows Printer Driver. For that purpose use the "Printer Accessories CD" included in the delivery contents of the printer or download the driver from the cab website www.cab.de.

Setup

- ▶ Set the interface parameters of the menu Setup >Interface >RS-422/485 matching to the configuration of the computer.

For general description of the setup functions see the *Configuration Manual* of the printer.



Pin Assignment of the 25-pin Socket

Pin	Description	Function
1	CG	Protective Ground
7	GND	Logic Ground
9	TDATA+	Transmit Data +
10	TDATA-	Transmit Data -
13	GND	Logic Ground
18	RDATA+	Receive Data +
19	RDATA-	Receive Data -

Interface Cables

To control the printer by RS-422- or RS-485 interface, only the signals TDATA+, TDATA-, RDATA+ and RDATA- are necessary.

- ▶ Check the pin assignment of the interface of your computer and use the pin assignment of the RS-422/485 interface connector as shown above to obtain a suitable cable.
- ▶ Connect the pins of TDATA+ and RDATA+ and the pins of TDATA- and RDATA- which each other.
- ▶ For long transmission distances it is recommended to terminate the lines.

Germany

cab Produkttechnik
GmbH & Co KG
Postfach 1904
D-76007 Karlsruhe
Wilhelm-Schickard-Str. 14
D-76131 Karlsruhe
Telefon +49 721 6626-0
Telefax +49 721 6626-249
www.cab.de
info@cab.de

France

cab technologies s.a.r.l.
F-67350 Niedermodern
Téléphone +33 388 722 501
www.cab.de
info@cab-technologies.fr

España

cab España S.L.
E-08304 Montaró (Barcelona)
Teléfono +34 937 414 605
www.cab.de
info@cabsl.com

USA

cab Technology Inc.
Tyngsboro MA, 01879
Phone +1 978 649 0293
www.cabtechn.com
info@cabtechn.com

South Afrika

cab Technology (Pty.) Ltd.
2125 Randburg
Phone +27 11-886-3580
www.cab.de
info@cabtechn.co.za

Asia 亞洲分公司

希愛比科技股份有限公司
cab Technology Co, Ltd.
台灣台北縣中和市中正路 700 號 9F-8
Junghe 23552, Taipei, Taiwan
電話 Phone +886 2 8227 3966
網址 www.cabasia.net
詢問 cabasia@cab.de

China 中国

铠博(上海)貿易有限公司
cab (Shanghai) Trading Co.,Ltd
上海市延安西路 2299 号 11C60 室
电话 Phone +86 21 6236-3161
询问 cabasia@cab.de

Representatives in other countries on request.