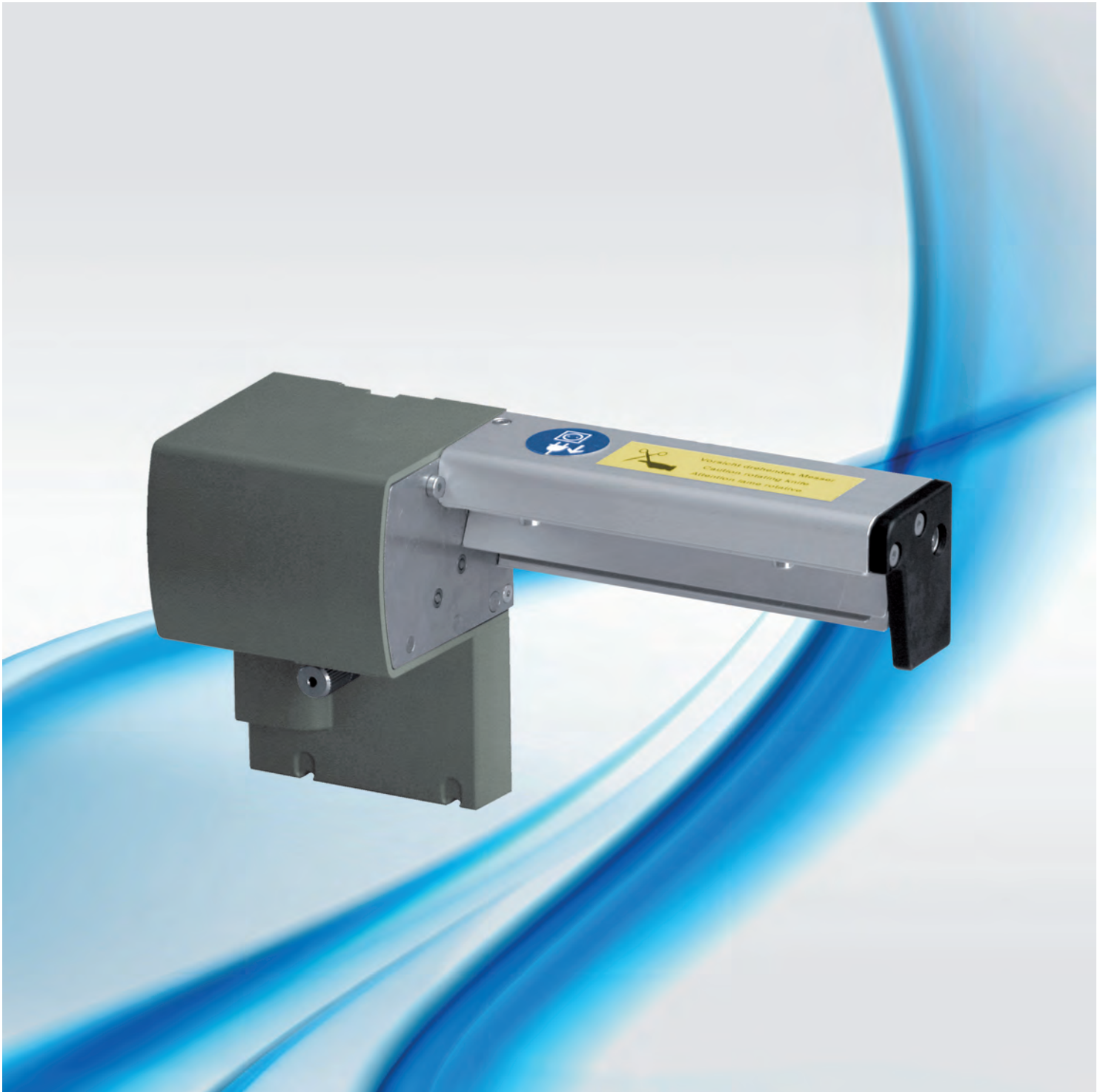


Spare Parts List



Cutter

CU Series

Made in Germany

for the following products

Part No.	Description	Type
5948382	Cutter	CU2
5948000	Cutter	CU4
5948899	Cutter	CU4-I
5948001	Cutter	CU6
5948890	Cutter	CU6-I
5948002	Cutter	CU8
5948896	Cutter	CU8-I

Edition: 03/2016 - Part No. 9008749

Copyright

This documentation as well as translation hereof are property of cab Produkttechnik GmbH & Co. KG.

The replication, conversion, duplication or divulgement of the whole manual or parts of it for other intentions than its original intended purpose - in particular the procurement of spare parts for products sold by cab – demand the previous written authorisation by cab.

Editor

Regarding questions or comments please contact cab Produkttechnik GmbH & Co. KG.

Topicality

Due to the constant further development of our products discrepancies between documentation and product can occur.

Please check www.cab.de for the latest update.

Terms and conditions

Deliveries and performances are effected under the "General conditions of sale of cab"

Germany

cab Produkttechnik
GmbH & Co KG
Postfach 1904
D-76007 Karlsruhe
Wilhelm-Schickard-Str. 14
D-76131 Karlsruhe

Telefon +49 721 6626-0
Telefax +49 721 6626-249

www.cab.de
info@cab.de

France

cab technologies s.a.r.l.
F-67350 Niedermodern
Téléphone +33 388 722 501
www.cab.de/fr
info.fr@cab.de

USA

cab Technology Inc.
Tyngsboro MA, 01879
Phone +1 978 649 0293
www.cab.de/us
info.us@cab.de

Asia 亚洲

cab Technology Co., Ltd.
希愛比科技股份有限公司
Junghe, Taipei, Taiwan
Phone +886 2 8227 3966
www.cab.de/tw
info.asia@cab.de

China 中国

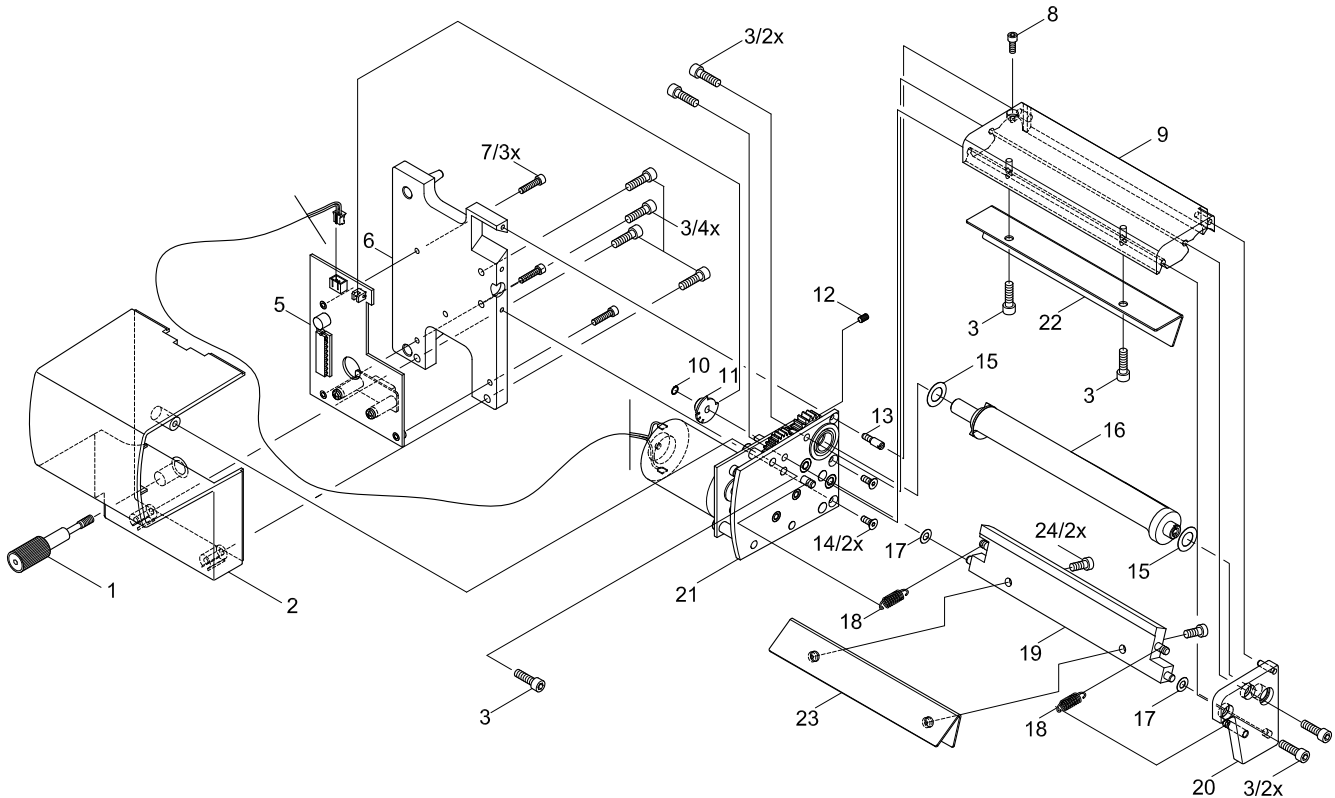
cab (Shanghai) Trading Co., Ltd.
乾博(上海)貿易有限公司
Phone +86 21 6236-3161
www.cab.de/cn
info.cn@cab.de

Representatives in other countries on request

No.	Part.-No.	Description	PU	Serial No.	
				from	to
1	5943295.001	Knurled Screw	1		
2.1	5948359.001	Cover	1		
2.2	5948967.001	Cover	1		
3	5902241.001	Screw DIN7984-M4x10	10		
5.1	5948371.001	PCB Cutter Eelctronics	1		11658
5.1	5960056.001	PCB Cutter Eelctronics	1	11659	
5.2	5948339.001	PCB Cutter Eelctronics	1		11658
5.2	5948893.001	PCB Cutter Eelctronics	1	11659	
6	5948360.001	Mounting Plate	1		
7	5902010.001	Screw DIN912-M3x10	10		
8	5902849.001	Screw DIN912-M3x5	10		
9.1	5948025.001	Support	1		
9.2	5948316.001	Support	1		
9.3	5948328.001	Support	1		
9.4	5948332.001	Support	1		
10	5903523.001	Snap Ring G4	10		
11	5948334.001	Clock Wheel	1		
12	5904513.001	Set Screw DIN913-M4x5	10		
13	5948368.001	Set Screw	1		
14	5902336.001	Screw DIN7991-M3x10	10		
15	5903038.001	Washer DIN988-8x14x0.2	10		
16.1	5948026.001	Circular Blade	1		
16.2	5948317.001	Circular Blade	1		

No.	Part.-No.	Description	PU	Serial No.	
				from	to
16.3	5948329.001	Circular Blade	1		
16.4	5948333.001	Circular Blade	1		
17	5903051.001	Washer DIN988-4x8x0.2	10		
18	5905008.001	Spring	5		
19.1	5948024.001	Linear Blade	1		
19.2	5948315.001	Linear Blade	1		
19.3	5948327.001	Linear Blade	1		
19.4	5948331.001	Linear Blade	1		
20	5948321.001	Bearing Plate	1		
21	5948362.001	Drive	1		
22.1	5948350.001	Cover Plate	1	13214	
22.2	5948343.001	Cover Plate	1	13214	
22.3	5948345.001	Cover Plate	1	13214	
22.4	5948347.001	Cover Plate	1	13214	
23.1	5948352.001	Cover Plate	1	13214	
23.2	5948342.001	Cover Plate	1	13214	
23.3	5948346.001	Cover Plate	1	13214	
23.4	5948349.001	Cover Plate	1	13214	
24	5902358.001	Screw DIN7984-M4x6	10	13214	

- 9.1, 16.1, 19.1, 22.1, 23.1 CU2 2.1, 5.1 CU...
 - 9.2, 16.2, 19.2, 22.2, 23.2 CU4, CU4-I 2.2, 5.2 CU...-I
 - 9.3, 16.3, 19.3, 22.3, 23.3 CU6, CU6-I
 - 9.4, 16.4, 19.4, 22.4, 23.4 CU8, CU8-I
- 9.2 For devices up to serial number 11658 order and change controller 5960053.001 too in case of changing the support.



Pos.	Figure/Page	No.	Part No.	Description	PU	SPR				Serial No.	
										from	to
1	3	7	5902010.001	Screw DIN912-M3x10	10						
2	3	3	5902241.001	Screw DIN7984-M4x10	10						
3	3	14	5902336.001	Screw DIN7991-M3x10	10						
4	3	24	5902358.001	Screw DIN7984-M4x6	10					13214	
5	3	8	5902849.001	Screw DIN912-M3x5	10						
6	3	15	5903038.001	Washer DIN988-8x14x0.2	10						
7	3	17	5903051.001	Washer DIN988-4x8x0.2	10						
8	3	10	5903523.001	Snap Ring G4	10						
9	3	12	5904513.001	Set Screw DIN913-M4x5	10						
10	3	18	5905008.001	Spring	5						
11	3	1	5943295.001	Knurled Screw	1						
12	3	19.1	5948024.001	Linear Blade	1	A	B	C	D		
13	3	9.1	5948025.001	Support	1						
14	3	16.1	5948026.001	Circular Blade	1	A	B	C	D		
15	3	19.2	5948315.001	Linear Blade	1	A	B	C	D		
16	3	9.2	5948316.001	Support	1						
17	3	16.2	5948317.001	Circular Blade	1	A	B	C	D		
18	3	20	5948321.001	Bearing Plate	1						
19	3	19.3	5948327.001	Linear Blade	1	A	B	C	D		
20	3	9.3	5948328.001	Support	1						
21	3	16.3	5948329.001	Circular Blade	1	A	B	C	D		
22	3	19.4	5948331.001	Linear Blade	1	A	B	C	D		
23	3	9.4	5948332.001	Support	1						
24	3	16.4	5948333.001	Circular Blade	1	A	B	C	D		
25	3	11	5948334.001	Clock Wheel	1						
26	3	5.2	5948339.001	PCB Cutter Eelctronics	1			C	D		11658
27	3	23.2	5948342.001	Cover Plate	1					13214	
28	3	22.2	5948343.001	Cover Plate	1					13214	
29	3	22.3	5948345.001	Cover Plate	1					13214	
30	3	23.3	5948346.001	Cover Plate	1					13214	
31	3	22.4	5948347.001	Cover Plate	1					13214	
32	3	23.4	5948349.001	Cover Plate	1					13214	
33	3	22.1	5948350.001	Cover Plate	1					13214	
34	3	23.1	5948352.001	Cover Plate	1					13214	
35	3	2.1	5948359.001	Cover	1						
36	3	6	5948360.001	Mounting Plate	1						
37	3	21	5948362.001	Drive	1				D		
38	3	13	5948368.001	Set Screw	1						
39	3	5.1	5948371.001	PCB Cutter Eelctronics	1			C	D		11658
40	3	5.2	5948893.001	PCB Cutter Eelctronics	1			C	D	11659	
41	3	2.2	5948967.001	Cover	1						
42	3	5.1	5960056.001	PCB Cutter Eelctronics	1			C	D	11659	

3 Packaging/Accessories

Pos.	Figure/Page	No.	Part No.	Description	PU	SPR				Serial No.	
										from	to
43		-	5943067.001	Packaging (CU2, CU4)	1						
44		-	9109144.001	Packaging (CU6)	1						
45		-	9109145.001	Packaging (CU8)	1						

PU Package unit

SPR Recommendation

A - wearing parts and accessories

B - recommended spare parts for quick repair

C - recommended spare parts for distributors

D - recommended spare parts for central stores