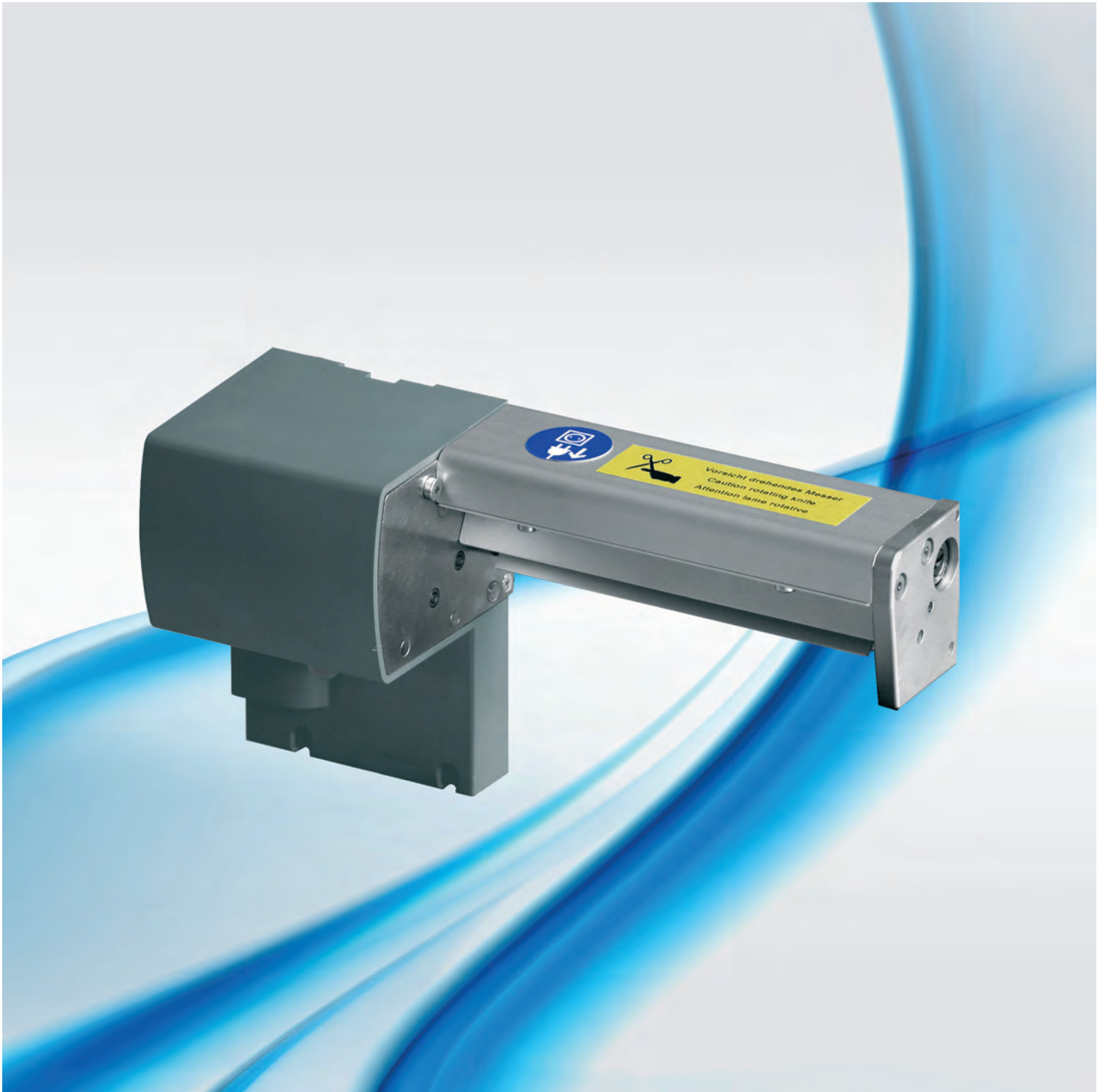


Spare Parts List



Perforation Cutter

PCU Series

Made in Germany

for the following products

Part No.	Description	Type
5960100.351	Perforation cutter	PCU2/2,5
5960050.351	Perforation cutter	PCU4/2,5
5960050.352	Perforation cutter	PCU4/10

Edition: 03/2016 - Part No. 9008636

Copyright

This documentation as well as translation hereof are property of cab Produkttechnik GmbH & Co. KG.

The replication, conversion, duplication or divulgement of the whole manual or parts of it for other intentions than its original intended purpose - in particular the procurement of spare parts for products sold by cab – demand the previous written authorisation by cab.

Editor

Regarding questions or comments please contact cab Produkttechnik GmbH & Co. KG.

Topicality

Due to the constant further development of our products discrepancies between documentation and product can occur.

Please check www.cab.de for the latest update.

Terms and conditions

Deliveries and performances are effected under the “General conditions of sale of cab”

Germany

cab Produkttechnik
GmbH & Co KG
Postfach 1904
D-76007 Karlsruhe
Wilhelm-Schickard-Str. 14
D-76131 Karlsruhe
Telefon +49 721 6626-0
Telefax +49 721 6626-249
www.cab.de
info@cab.de

France

cab technologies s.a.r.l.
F-67350 Niedermodern
Téléphone +33 388 722 501
www.cab.de/fr
info.fr@cab.de

USA

cab Technology Inc.
Tyngsboro MA, 01879
Phone +1 978 649 0293
www.cab.de/us
info.us@cab.de

Asia 亚洲

cab Technology Co., Ltd.
希愛比科技股份有限公司
Junghe, Taipei, Taiwan
Phone +886 2 8227 3966
www.cab.de/tw
info.asia@cab.de

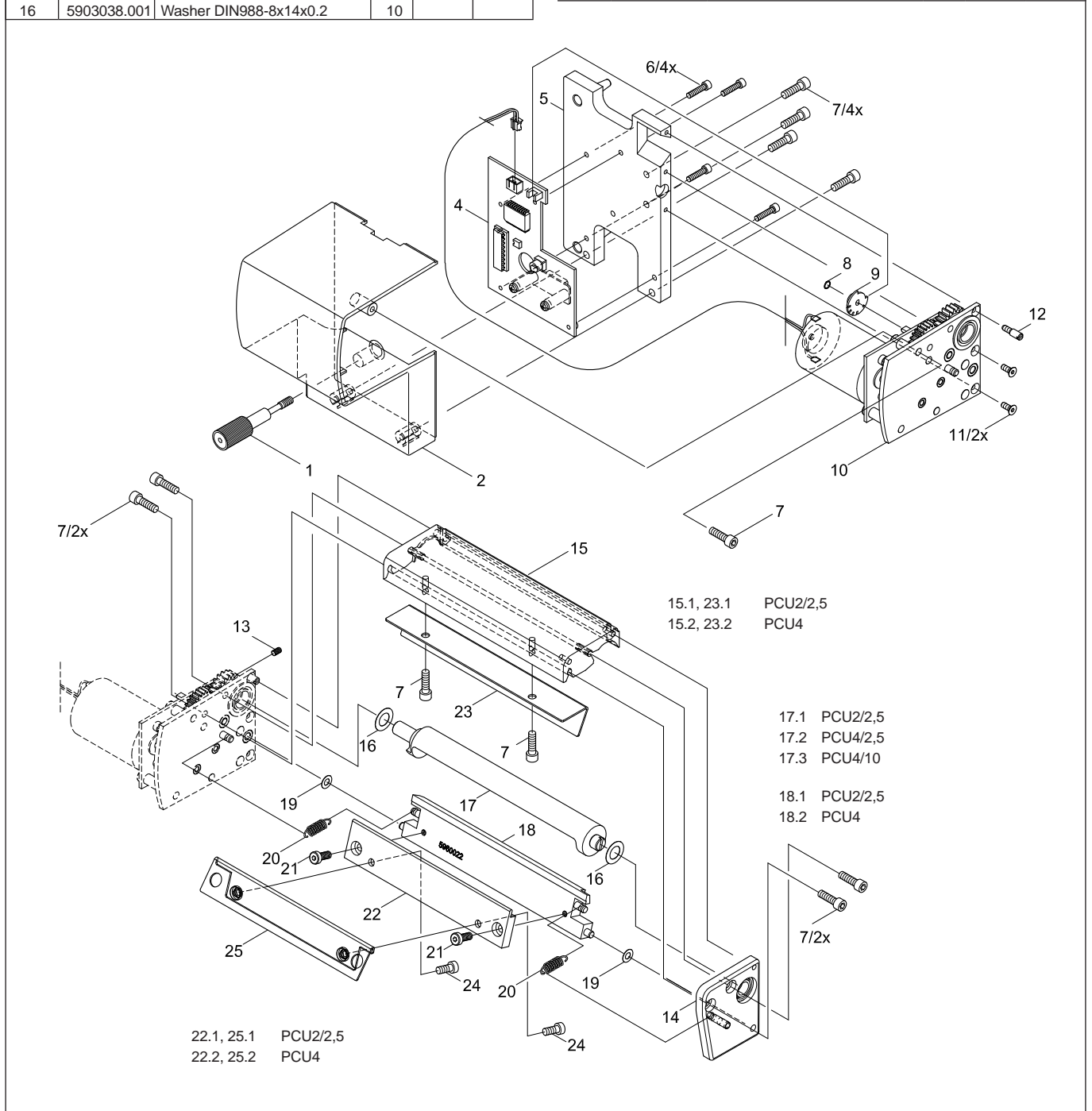
China 中国

cab (Shanghai) Trading Co., Ltd.
乾博(上海)貿易有限公司
Phone +86 21 6236-3161
www.cab.de/cn
info.cn@cab.de

Representatives in other countries on request

No.	Part No.	Description	PU	Serial No.	
				from	to
1	5943295.001	Thumbscrew	1		
2	5948359.001	Cover	1		
4	5948040.001	PCB Cutter Electronics	1		
5	5948360.001	Mounting Plate	1		
6	5902010.001	Screw DIN912-M3x10	10		
7	5902241.001	Screw DIN7984-M4x10	10		
8	5903523.001	Snap Ring G4	10		
9	5949922.001	Clock Wheel	1		
10	5948362.001	Drive	1		
11	5902336.001	Screw DIN7991-M3x10	10		
12	5948368.001	Set Screw	1		
13	5904513.001	Set Screw DIN913-M4x5	10		
14	5960027.001	Bearing Plate	1		
15.1	5949939.001	Retainer	1		
15.2	5960017.001	Retainer	1		
16	5903038.001	Washer DIN988-8x14x0.2	10		

No.	Part No.	Description	PU	Serial No.	
				from	to
17.1	5960000.001	Circular Blade	1		
17.2	5960039.001	Circular Blade	1		
17.3	5960044.001	Circular Blade	1		
18.1	5960001.001	Linear Blade	1		
18.2	5960022.001	Linear Blade	1		
19	5903051.001	Washer DIN988-4x8x0.2	10		
20	5948397.001	Spring	1		
21	5902483.001	Screw DIN6912-M4x10	10		
22.1	5960047.001	Support	1		
22.2	5960029.001	Support	1		
23.1	5948350.001	Cover Plate	1	13315	
23.2	5948343.001	Cover Plate	1	13315	
24	5902358.001	Screw DIN7984-M4x6	10		
25.1	5948354.001	Cover Plate	1	13315	
25.2	5948353.001	Cover Plate	1	13315	



Pos.	Figure/ Page	No.	Part No.	Description	PU	SPR				Serial No.	
										from	to
1	3	6	5902010.001	Screw DIN912-M3x10	10						
2	3	7	5902241.001	Screw DIN7984-M4x10	10						
3	3	11	5902336.001	Screw DIN7991-M3x10	10						
4	3	24	5902358.001	Screw DIN7984-M4x6	10						
5	3	21	5902483.001	Screw DIN6912-M4x10	10						
6	3	16	5903038.001	Washer DIN988-8x14x0.2	10						
7	3	19	5903051.001	Washer DIN988-4x8x0.2	10						
8	3	8	5903523.001	Snap Ring G4	10						
9	3	13	5904513.001	Set Screw DIN913-M4x5	10						
10	3	1	5943295.001	Thumbscrew	1				D		
11	3	4	5948038.001	PCB Cutter Electronics	1				C	D	
12	3	23.2	5948343.001	Cover Plate	1						13315
13	3	23.1	5948350.001	Cover Plate	1						13315
14	3	25.2	5948353.001	Cover Plate	1						13315
15	3	25.1	5948354.001	Cover Plate	1						13315
16	3	2	5948359.001	Cover	1				C	D	
17	3	5	5948360.001	Mounting Plate	1						
18	3	10	5948362.001	Drive	1					D	
19	3	12	5948368.001	Set Screw	1						
20	3	20	5948397.001	Spring	1						
21	3	9	5949922.001	Clock Wheel	1						
22	3	15.1	5949939.001	Retainer	1						
23	3	17.1	5960000.001	Circular Blade	1	A	B	C	D		
24	3	18.1	5960001.001	Linear Blade	1	A	B	C	D		
25	3	15.2	5960017.001	Retainer	1						
26	3	18.2	5960022.001	Linear Blade	1	A	B	C	D		
27	3	14	5960027.001	Bearing Plate	1					D	
28	3	22.2	5960029.001	Support	1						
29	3	17.2	5960039.001	Circular Blade	1	A	B	C	D		
30	3	17.3	5960044.001	Circular Blade	1	A	B	C	D		
31	3	22.1	5960047.001	Support	1						

3 Packaging/Accessories

Pos.	Figure/ Page	No.	Part No.	Description	PU	SPR				Serial No.	
										from	to
32			5943067.001	Packaging	1				C	D	
33			5943068.001	Warning Label	1						

PU Package unit

SPR Recommendation

A - wearing parts and accessories

B - recommended spare parts for quick repair

C - recommended spare parts for distributors

D - recommended spare parts for central stores