

Spare Parts List



Label Printer

A8+

Made in Germany

for the following products

Family	Type
A+	A8+/300

Edition: 04/2017 - Part No. 9008769

Copyright

This documentation as well as translation hereof are property of cab Produkttechnik GmbH & Co. KG.

The replication, conversion, duplication or divulgement of the whole manual or parts of it for other intentions than its original intended purpose - in particular the procurement of spare parts for products sold by cab – demand the previous written authorisation by cab.

Editor

Regarding questions or comments please contact cab Produkttechnik GmbH & Co. KG.

Topicality

Due to the constant further development of our products discrepancies between documentation and product can occur.

Please check www.cab.de for the latest update.

Terms and conditions

Deliveries and performances are effected under the "General conditions of sale of cab"

Table of Contents

1	Chassis, Cover	3
2	Control Panel, Power Supply, PCB CPU	4
3	Printhead Assembly	5
4	Print Roller Assembly, Label Sensor	6
5	Main Drive, Roll Retainer	7
6	Transfer Ribbon Winders	8
7	Spare Parts Register	9
8	Packaging/Accessories.....	11

Germany

cab Produkttechnik
GmbH & Co KG
Postfach 1904
D-76007 Karlsruhe
Wilhelm-Schickard-Str. 14
D-76131 Karlsruhe

Telefon +49 721 6626-0
Telefax +49 721 6626-249
www.cab.de
info@cab.de

France

cab technologies s.a.r.l.
F-67350 Niedermodern
Téléphone +33 388 722 501
www.cab.de/fr
info.fr@cab.de

USA

cab Technology Inc.
Tyngsboro MA, 01879
Phone +1 978 649 0293
www.cab.de/us
info.us@cab.de

South Africa

cab Technology (Pty.) Ltd.
2125 Randburg
Phone +27 11-886-3580
www.cab.de/za
info.za@cab.de

Asia 亚洲

cab Technology Co., Ltd.
希愛比科技股份有限公司
Junghe, Taipei, Taiwan
Phone +886 2 8227 3966
www.cab.de/tw
info.asia@cab.de

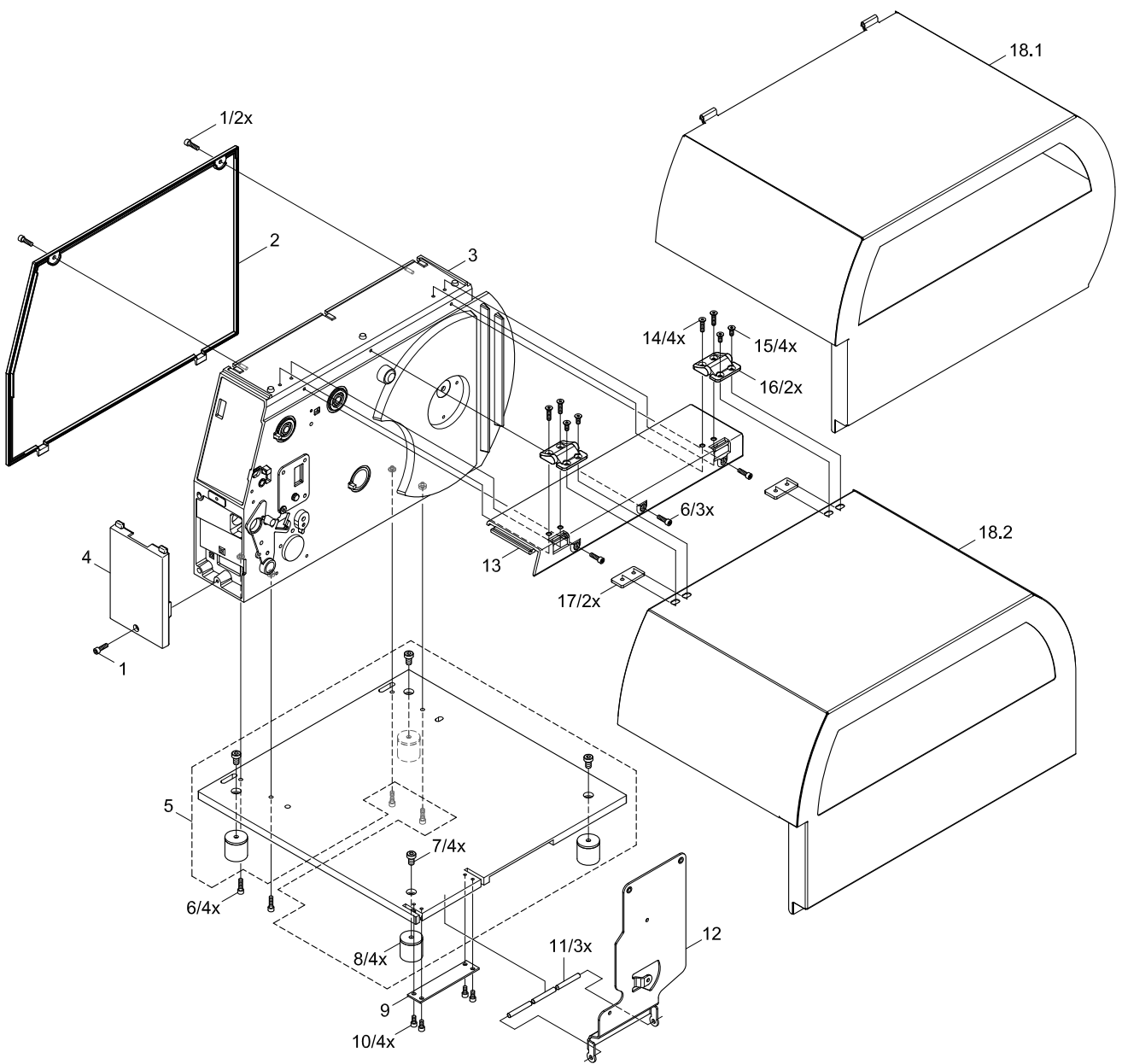
China 中国

cab (Shanghai) Trading Co., Ltd.
乾博(上海)贸易有限公司
Phone +86 21 6236-3161
www.cab.de/cn
info.cn@cab.de

Representatives in other countries on request

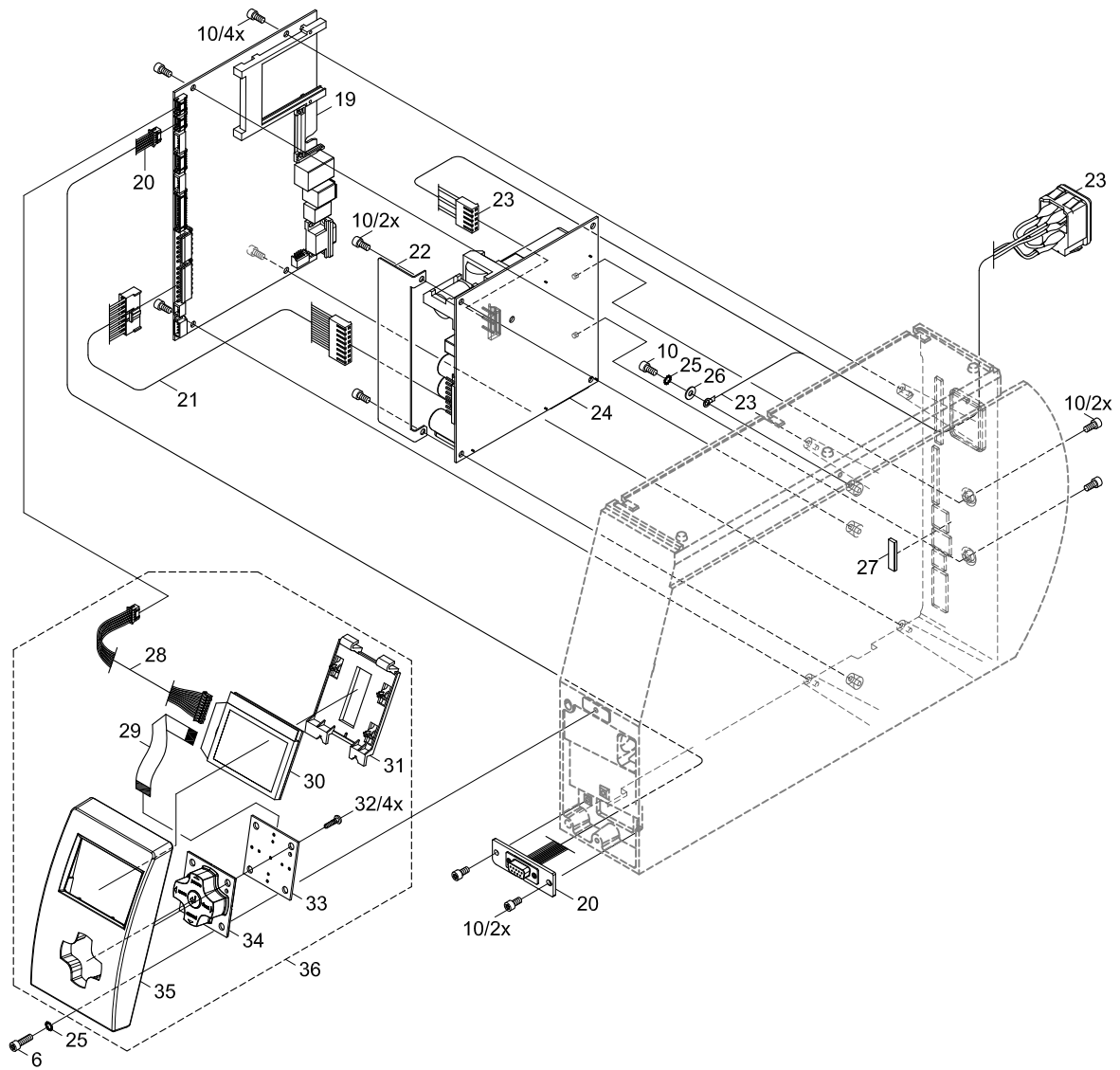
No	Part No.	Description	PU	Note	Serial No.	
					from	to
1	5902241.001	Screw DIN7984-M4x10	10			
2	5954399.001	Cover Plate	1			
3	5969325.001	Chassis	1			
4	5943004.001	Cover	1			
5	5969316.001	Base Plate	1			
6	5902565.001	Screw DIN7984-M4x10	10			
7	5902375.001	Screw DIN7984-M6x10	10			
8	5906163.001	Stopper	1			
9	5945849.001	Plate	1			
10	5902571.001	Screw DIN7984-M4x6	10			

No	Part No.	Description	PU	Note	Serial No.	
					from	to
11	5945848.001	Axle	1			
12	5958525.001	Support Plate	1			
13	5969310.001	Cover	1			
14	5969328.001	Screw M4x20	10		118491	
15	5969326.001	Screw M4x10	10		118491	
16	5965848.001	Hinge	1		118491	
17	5959732.001	Threaded Plate	1		118491	
18.1	5954014.001	Metal Cover	1			118490
18.2	5969323.001	Metal Cover	1		118491	



No	Part No.	Description	PU	Note	Serial No.	
					from	to
6	5902565.001	Screw DIN7984-M4x10	10			
10	5902571.001	Screw DIN7984-M4x6	10			
19	5551118.001	CPU X2	1			
20	5954095.001	Cable Periphery	1			
21	5943107.001	Cable Power Supply	1			
22	5954179.001	Cover Plate	1			
23	5955046.001	Power Input Module	1			
24	5956220.001	Power Supply	1			
25	5903011.001	Toothed Washer DIN6797-A4.3	10			
26	5903003.001	Washer DIN125-A4.3	10			

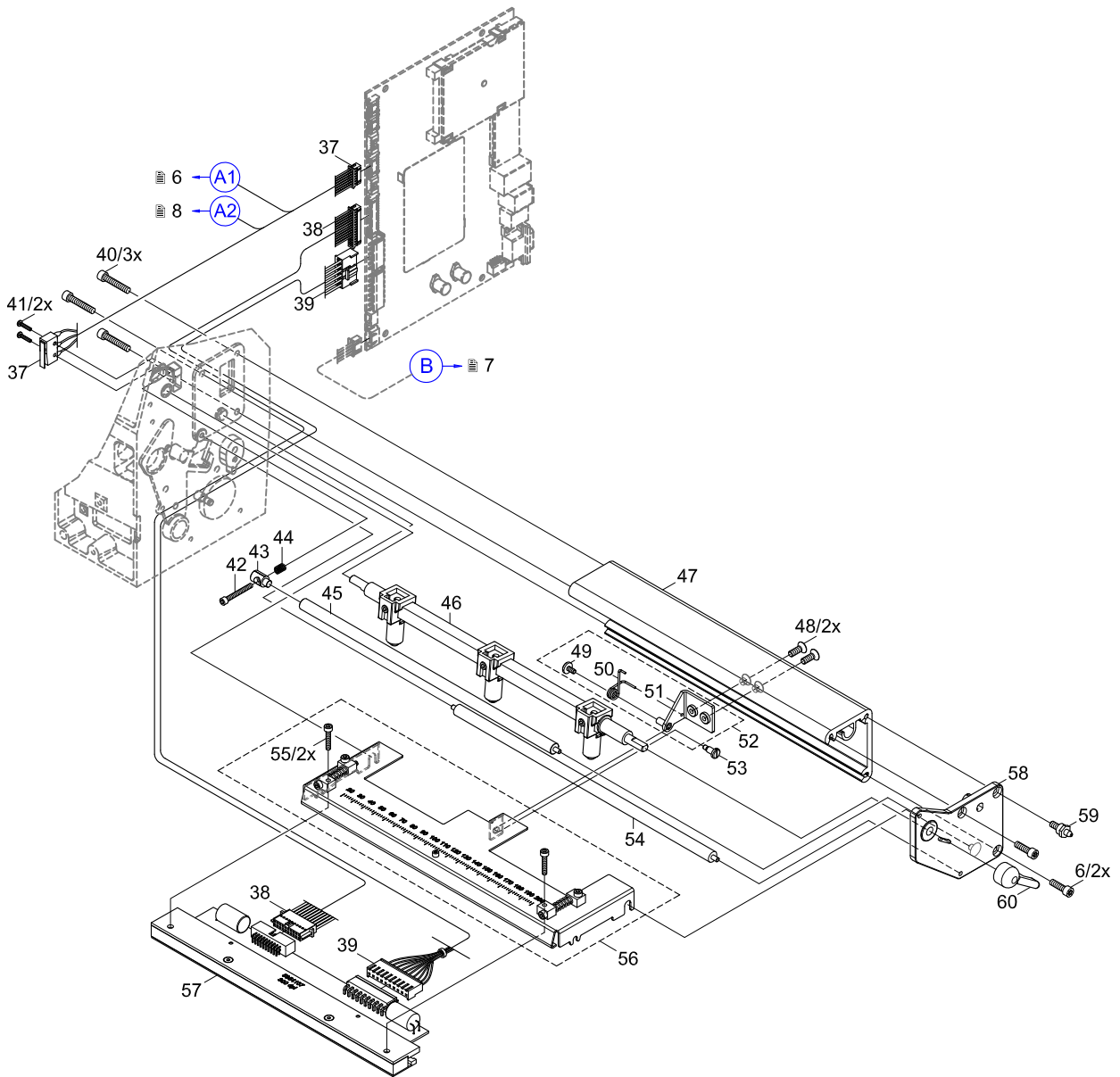
No	Part No.	Description	PU	Note	Serial No.	
					from	to
27	5954132.001	Strip	5			
28	5954097.001	Cable Control Panel	1			
29	5954027.001	Cable Control Panel	1			
30	5540868.001	LCD Display	1			
31	5954026.001	Holder	1			
32	5902414.001	Screw EJOT-PT-K30x12	10			
33	5955034.001	PCB Navi Button	1			
34	5540930.001	Navigator Pad	1			
35	5954025.001	Control Panel Cover	1			
36	5954020.001	Control Panel	1			



3 Printhead Assembly

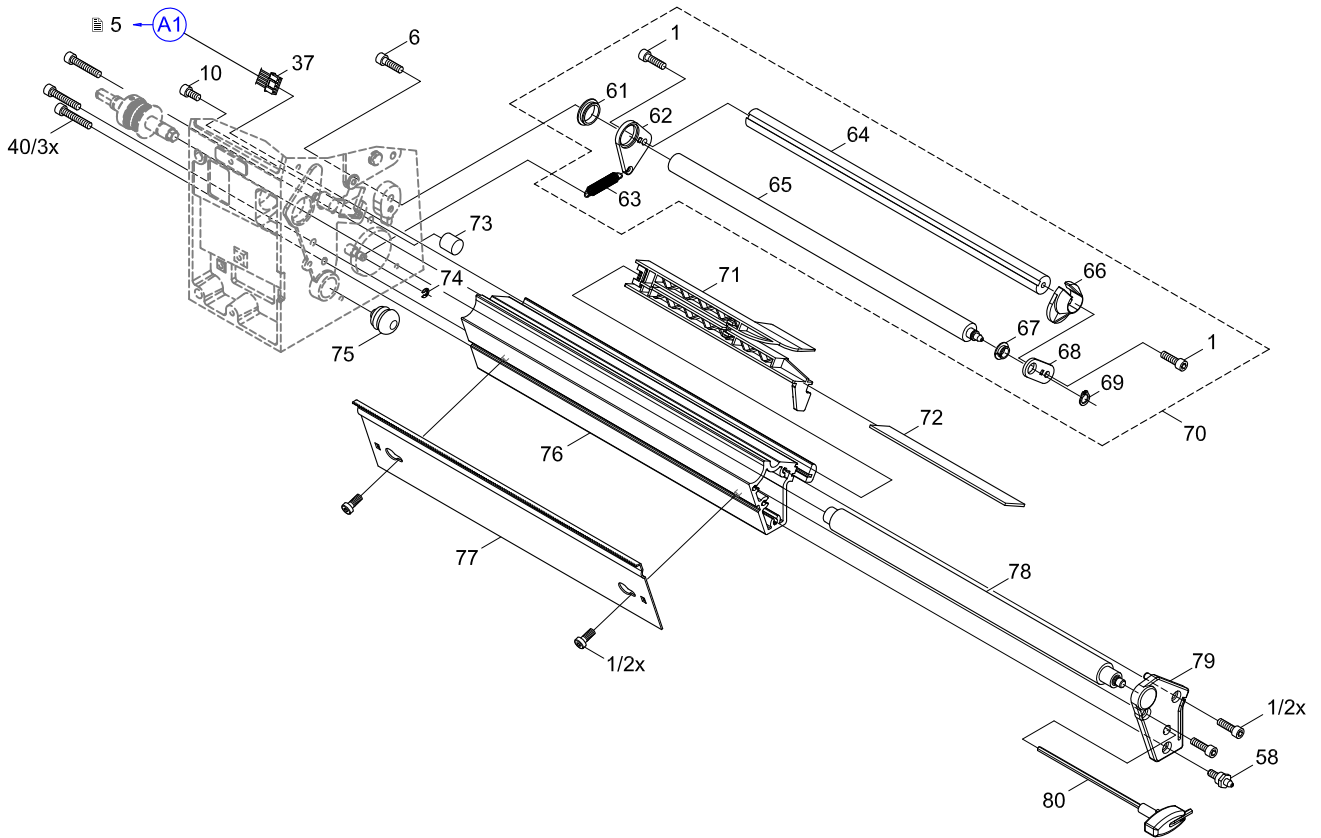
No	Part No.	Description	PU	Note	Serial No.	
					from	to
6	5902565.001	Screw DIN7984-M4x10	10			
37	5954098.001	Cable Sensors	1			
38	5958531.001	Cable Printhead	1			
39	5958530.001	Cable Printhead	1			
40	5902572.001	Screw DIN7984-M4x16	10			
41	5902457.001	Screw DIN7985-M2x10	10			
42	5902011.001	Screw DIN912-M3x20	10			
43	5954060.001	Pivot Arm	1			
44	5906136.001	Spring	5			
45	5958513.001	Roller Ribbon	1			
46	5958528.001	Printhead Locking System	1			
47	5958510.001	Profile	1			
48	5902573.001	Screw DIN7991-M4x8	10			

No	Part No.	Description	PU	Note	Serial No.	
					from	to
49	5902823.001	Screw DIN921-M3x6	10			
50	5954239.001	Spring	1			
51	5954134.001	Bracket	1			
52	5954261.001	Bracket	1			
53	5902145.001	Screw DIN923-M3x6	10			
54	5958514.001	Roller	1			
55	5902474.001	Screw DIN912-M3x16	10			
56	5958521.001	Printhead Mounting Bracket	1			
57	5954107.001	Printhead 8/300	1			
58	5959742.001	Side Plate	1			
59	5945846.001	Pin	1			
60	5958529.001	Lever	1			



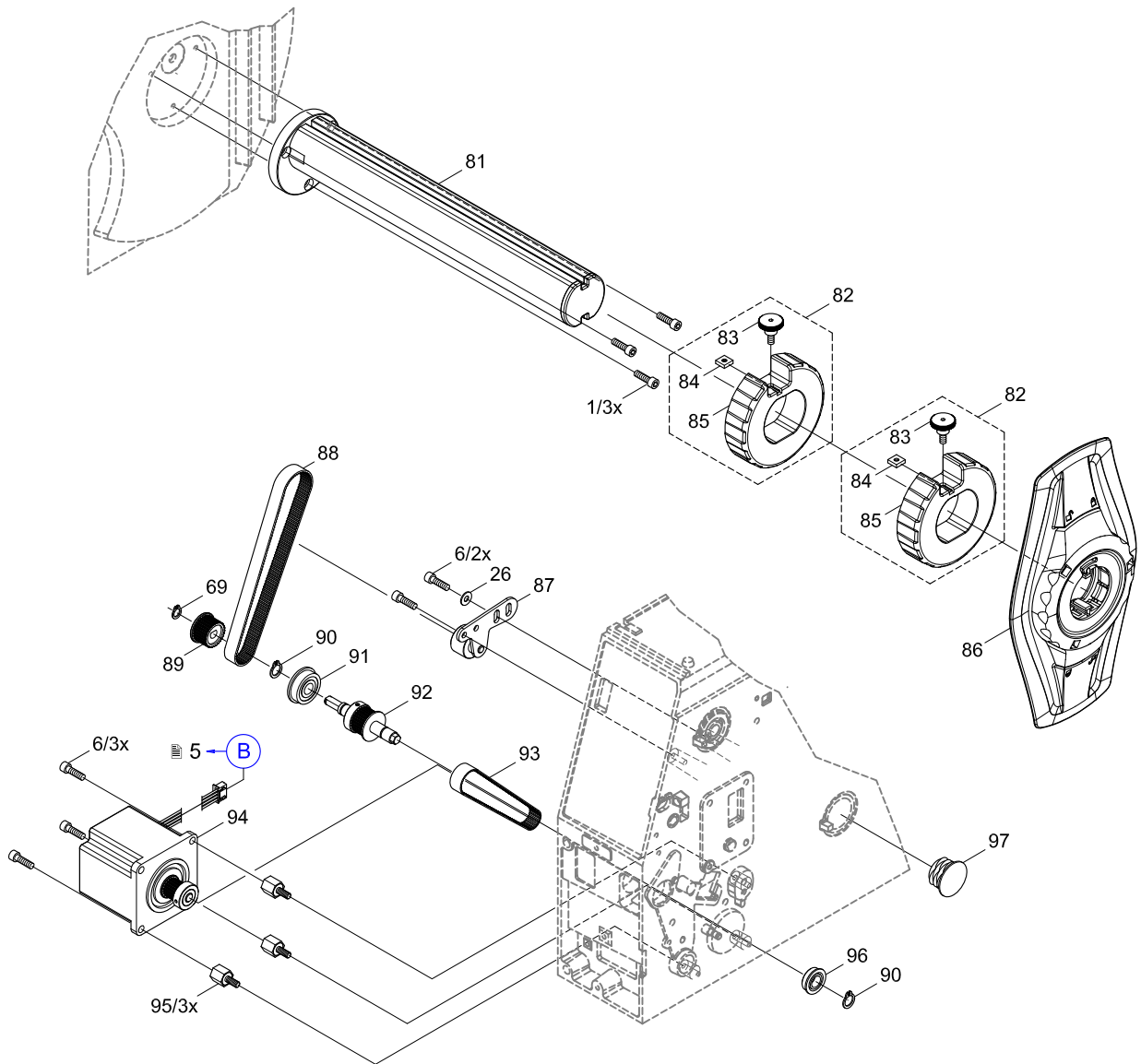
No	Part No.	Description	PU	Note	Serial No.	
					from	to
1	5902241.001	Screw DIN7984-M4x10	10			
6	5902565.001	Screw DIN7984-M4x10	10			
10	5902571.001	Screw DIN7984-M4x6	10			
37	5954098.001	Cable Sensors	1			
40	5902572.001	Screw DIN7984-M4x16	10			
59	5945846.001	Pin	1			
61	5901026.001	Plastic Bushing	1			
62	5946570.001	Bearing Plate	1			
63	5906112.001	Spring	1			
64	5946578.001	Axle	1			
65	5946577.001	Axle	1			
66	5943025.001	Media Guide Ring	1			
67	5901036.001	Plastic Bushing	1			

No	Part No.	Description	PU	Note	Serial No.	
					from	to
68	5946571.001	Bearing Plate	1			
69	5903521.001	Snap Ring DIN471-A6	10			
70	5946582.001	Swing	1			
71	5954090.001	Label Sensor	1			
72	5945858.001	Strip	1			
73	5905885.001	Stopper M4x10	1			
74	5903507.001	E-Ring DIN6799-3.2	10			
75	5905866.001	Stopper 16x0.8	1			
76	5958511.001	Profile	1			
77	5946279.001	Tear-off Plate TP8	1			
78	5954103.001	Drive Roller DR8	1			
79	5954186.001	Side Plate	1			
80	5946113.001	Allen Key	1			



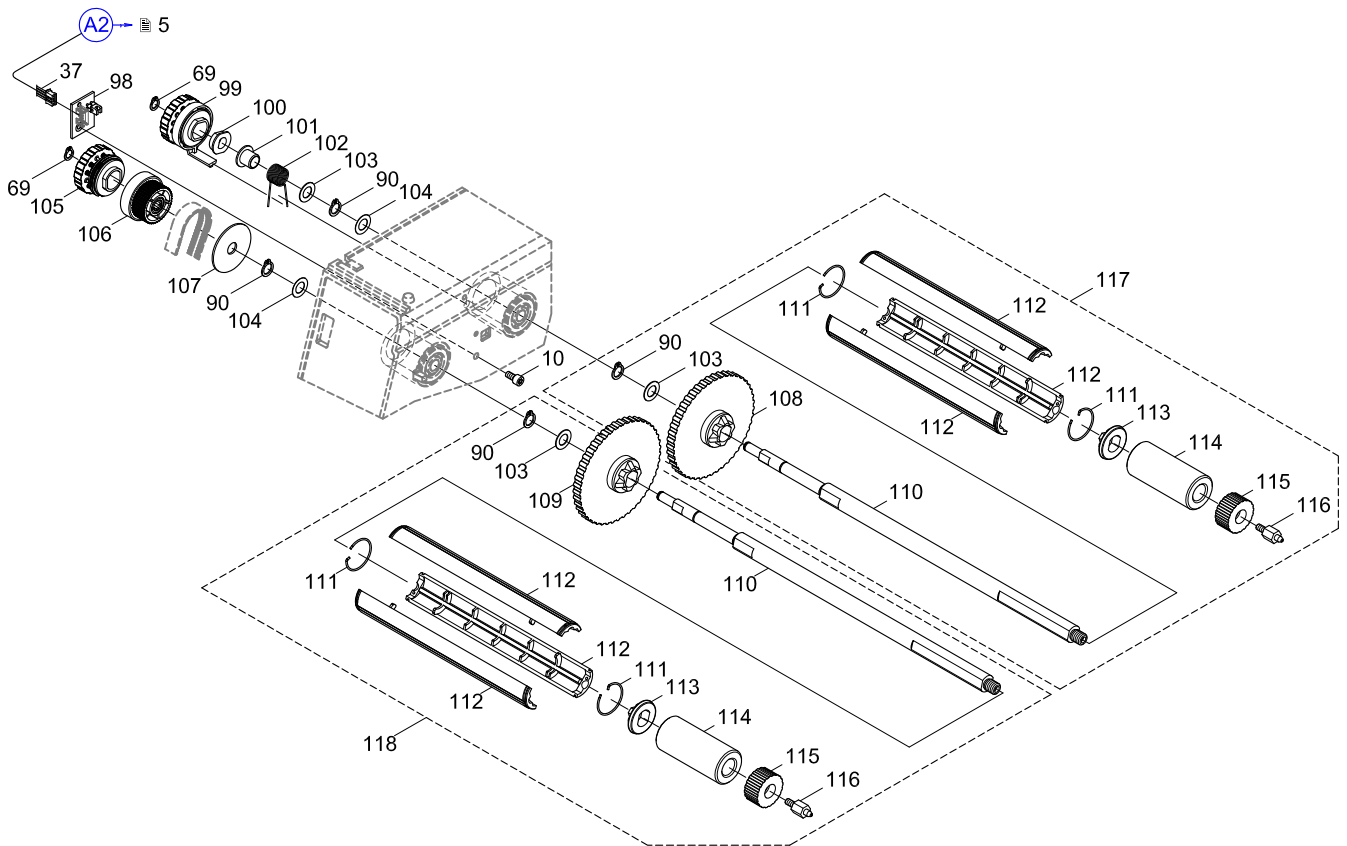
No	Part No.	Description	PU	Note	Serial No.	
					from	to
1	5902241.001	Screw DIN7984-M4x10	10			
6	5902565.001	Screw DIN7984-M4x10	10			
26	5903003.001	Washer DIN125-A4.3	10			
69	5903521.001	Snap Ring DIN471-A6	10			
81	5959808.001	Media Hub	1			
82	5959612.001	Adapter 75 mm Ø	1			
83	5959624.001	Knurled Screw	1			
84	8910053.001	Square Nut M4 8mm	10			
85	5959611.001	Adapter 75 mm Ø	1			
86	5959937.001	Margin Stop	1			
87	5954160.001	Belt Tension Bracket	1			

No	Part No.	Description	PU	Note	Serial No.	
					from	to
88	5905196.001	Belt 150MXL 037	1			
89	5946238.001	Gear 29	1			
90	5903516.001	Snap Ring DIN471-8x0.8	10			
91	5901090.001	Ball Bearing DIN625-F608-ZZ	1			
92	5954182.001	Shaft	1			
93	5905649.001	Belt 106MXL 037	1			
94	5946206.001	Stepper Motor	1			
95	5906157.001	Shock Absorber	5			
96	5901071.001	Ball Bearing DIN625-F688-ZZ	1			
97	5905699.001	Stopper 25x1	1			



No	Part No.	Description	PU	Note	Serial No.	
					from	to
10	5902571.001	Screw DIN7984-M4x6	10			
37	5954098.001	Cable Sensors	1			
69	5903521.001	Snap Ring DIN471-A6	10			
90	5903516.001	Snap Ring DIN471-8x0.8	10			
98	5954024.001	Ribbon Sensor	1			
99	5954153.001	Brake	1			
100	5541172.001	Pivot Arm	1			
101	5901123.001	Plastic Bushing	10			
102	5954131.001	Spring	5			
103	5903020.001	Washer DIN988-8x14x0.5	10			
104	5903038.001	Washer DIN988-8x14x0.2	10			
105	5954152.001	Slipping Clutch	1			
106	5954115.001	Gear 42	1			

No	Part No.	Description	PU	Note	Serial No.	
					from	to
107	5903128.001	Washer 35x8.4x1.25	10			
108	5954120.001	Wall Spacer	1			
109	5954112.001	Wall Spacer	1			
110	5958516.001	Axle	1			
111	5954124.001	Snap Ring	10			
112	5954221.001	Shell	3			
113	5954121.001	Cone	1			
114	5958517.001	Extension	1			
115	5943022.001	Knurled Knob	1			
116	5958523.001	Pin	1			
117	5958527.001	Ribbon Supply Hub	1			
118	5958526.001	Ribbon Takeup Hub	1			



7 Spare Parts Register

9

Pos.	Figure/Page							Nr.	Part No.	Description	PU	SPR				Notes	Serial No.	
1		4						30	5540868.001	LCD Display	1			C	D			
2		4						34	5540930.001	Navigator Pad	1				D			
3							8	100	5541172.001	Pivot Arm	1							
4		4						19	5551118.001	CPU X2	1		B	C	D			
5				6				61	5901026.001	Plastic Bushing	1							
6				6				67	5901036.001	Plastic Bushing	1							
7					7			96	5901071.001	Ball Bearing DIN625-F688-ZZ	1							
8					7			91	5901090.001	Ball Bearing DIN625-F608-ZZ	1							
9						8		101	5901123.001	Plastic Bushing	10				D			
10			5					42	5902011.001	Screw DIN912-M3x20	10							
11			5					53	5902145.001	Screw DIN923-M3x6	10							
12	3			6	7			1	5902241.001	Screw DIN7984-M4x10	10							
13	3							7	5902375.001	Screw DIN7984-M6x10	10							
14		4						32	5902414.001	Screw EJOT-PT-K30x12	10							
15			5					41	5902457.001	Screw DIN7985-M2x10	10							
16			5					55	5902474.001	Screw DIN912-M3x16	10							
17	3	4	5	6	7			6	5902565.001	Screw DIN7984-M4x10	10							
18	3	4		6		8		10	5902571.001	Screw DIN7984-M4x6	10							
19			5	6				40	5902572.001	Screw DIN7984-M4x16	10							
20			5					48	5902573.001	Screw DIN7991-M4x8	10							
21			5					49	5902823.001	Screw DIN921-M3x6	10							
22		4			7			26	5903003.001	Washer DIN125-A4.3	10							
23		4						25	5903011.001	Toothed Washer DIN6797-A4.3	10							
24						8		103	5903020.001	Washer DIN988-8x14x0.5	10							
25						8		104	5903038.001	Washer DIN988-8x14x0.2	10							
26						8		107	5903128.001	Washer 35x8.4x1.25	10							
27			6					74	5903507.001	E-Ring DIN6799-3.2	10							
28				7	8			90	5903516.001	Snap Ring DIN471-8x0.8	10							
29				6	7	8		69	5903521.001	Snap Ring DIN471-A6	10							
30					7			88	5905196.001	Belt 150MXL 037	1			C	D			
31					7			93	5905649.001	Belt 106MXL 037	1			C	D			
32					7			97	5905699.001	Stopper 25x1	1							
33			6					75	5905866.001	Stopper 16x0.8	1							
34			6					73	5905885.001	Stopper M4x10	1							
35			6					63	5906112.001	Spring	1							
36			5					44	5906136.001	Spring	5							
37					7			95	5906157.001	Shock Absorber	5			C	D			
38	3							8	5906163.001	Stopper	1							
39	3							4	5943004.001	Cover	1							
40						8		115	5943022.001	Knurled Knob	1				D			
41				6				66	5943025.001	Media Guide Ring	1							
42		4						21	5943107.001	Cable Power Supply	1							
43			5	6				59	5945846.001	Pin	1							
44	3							11	5945848.001	Axle	1							
45	3							9	5945849.001	Plate	1							
46				6				72	5945858.001	Strip	1							
47				6				80	5946113.001	Allen Key	1							
48					7			94	5946206.001	Stepper Motor	1			C	D			
49					7			89	5946238.001	Gear 29	1							
50				6				77	5946279.001	Tear-off Plate TP8	1							
51				6				62	5946570.001	Bearing Plate	1							
52				6				68	5946571.001	Bearing Plate	1							
53				6				65	5946577.001	Axle	1							
54				6				64	5946578.001	Axle	1							
55				6				70	5946582.001	Swing	1							
56	3							18.1	5954014.001	Metal Cover	1							118490
57		4						36	5954020.001	Control Panel	1			C	D			
58						8		98	5954024.001	Ribbon Sensor	1			C	D			
59		4						35	5954025.001	Control Panel Cover	1							
60		4						31	5954026.001	Holder	1							

PU Package unit

SPR Recommendation

A - wearing parts and accessories

B - recommended spare parts for quick repair

C - recommended spare parts for distributors

D - recommended spare parts for central stores

Pos.	Figure/Page				Nr.	Part No.	Description	PU	SPR				Notes	Serial No.	
									from	to					
61		4			29	5954027.001	Cable Control Panel	1							
62			5		43	5954060.001	Pivot Arm	1							
63				6	71	5954090.001	Label Sensor	1			C	D			
64		4			20	5954095.001	Cable Periphery	1							
65		4			28	5954097.001	Cable Control Panel	1							
66			5	6	8	37	5954098.001	Cable Sensors	1						
67				6	78	5954103.001	Drive Roller DR8	1	A	B	C	D			
68			5		57	5954107.001	Printhead 8/300	1	A	B	C	D			
69					8	109	5954112.001	Wall Spacer	1						
70					8	106	5954115.001	Gear 42	1						
71					8	108	5954120.001	Wall Spacer	1						
72					8	113	5954121.001	Cone	1				D		
73					8	111	5954124.001	Snap Ring	10		B	C	D		
74					8	102	5954131.001	Spring	5						
75		4			27	5954132.001	Strip	5							
76			5		51	5954134.001	Bracket	1							
77					8	105	5954152.001	Slipping Clutch	1			C	D		
78					8	99	5954153.001	Brake	1			C	D		
79					7	87	5954160.001	Belt Tension Bracket	1						
80		4			22	5954179.001	Cover Plate	1							
81					7	92	5954182.001	Shaft	1						
82				6	79	5954186.001	Side Plate	1							
83					8	112	5954221.001	Shell	3						
84			5		50	5954239.001	Spring	1							
85			5		52	5954261.001	Bracket	1							
86	3				2	5954399.001	Cover Plate	1							
87		4			33	5955034.001	PCB Navi Button	1			C	D			
88		4			23	5955046.001	Power Input Module	1			C	D			
89		4			24	5956220.001	Power Supply	1			C	D			
90			5		47	5958510.001	Profile	1							
91				6	76	5958511.001	Profile	1							
92			5		45	5958513.001	Roller Ribbon	1							
93			5		54	5958514.001	Roller	1							
94					8	110	5958516.001	Axle	1						
95					8	114	5958517.001	Extension	1						
96			5		56	5958521.001	Printhead Mounting Bracket	1							
97					8	116	5958523.001	Pin	1						
98	3				12	5958525.001	Support Plate	1							
99					8	118	5958526.001	Ribbon Takeup Hub	1						
100					8	117	5958527.001	Ribbon Supply Hub	1						
101			5		46	5958528.001	Printhead Locking System	1							
102			5		60	5958529.001	Lever	1							
103			5		39	5958530.001	Cable Printhead	1							
104			5		38	5958531.001	Cable Printhead	1							
105					7	85	5959611.001	Adapter 75 mm Ø	1						
106					7	82	5959612.001	Adapter 75 mm Ø	1						
107					7	83	5959624.001	Knurled Screw	1						
108	3				17	5959732.001	Threaded Plate	1						118491	
109			5		58	5959742.001	Side Plate	1							
110					7	81	5959808.001	Media Hub	1						
111					7	86	5959937.001	Margin Stop	1						
112	3				16	5965848.001	Hinge	1							118491
113	3				13	5969310.001	Cover	1							
114	3				5	5969316.001	Base Plate	1							
115	3				18.2	5969323.001	Metal Cover	1							118491
116	3				3	5969325.001	Chassis	1							
117	3				15	5969326.001	Screw M4x10	10							118491
118	3				14	5969328.001	Screw M4x20	10							118491
119					7	84	8910053.001	Square Nut M4 8mm	10						

PU Package unit

SPR Recommendation

A - wearing parts and accessories

B - recommended spare parts for quick repair

C - recommended spare parts for distributors

D - recommended spare parts for central stores

Pos.	Figure/Page	Nr.	Part No.	Description	PU	SPR	Notes	Serial No.	
								from	to
120			5550611.001	Power Cable Type E+F	1				
121			5901655.001	Cable USB	1				
122			9109294.001	Packaging	1				

PU Package unit

SPR Recommendation

A - wearing parts and accessories

B - recommended spare parts for quick repair

C - recommended spare parts for distributors

D - recommended spare parts for central stores