

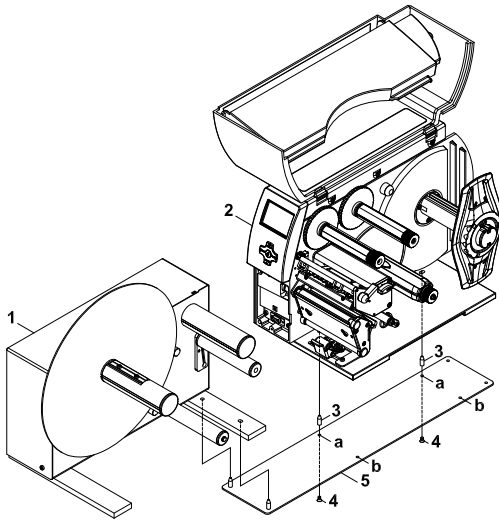
Mounting Instruction

Adapter Kit (Part.-No. 5948170)

Edition: 12/11 · Part.-No. 9008339

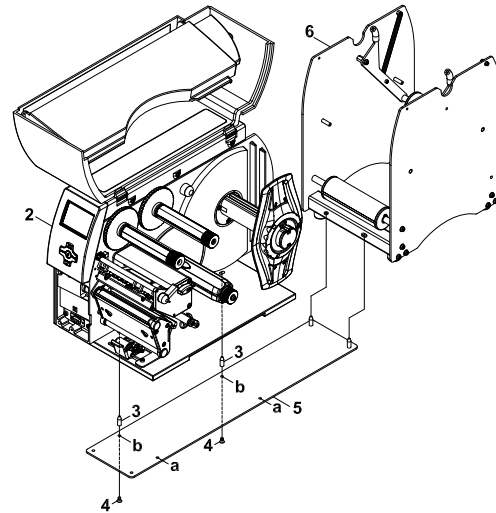
Contents of :	5848173	Adapter Plate 1	1 piece
delivery	5948175	Adapter Plate 2	1 piece
	5948176	Pin M4	2 pieces
	5902304	Screw DIN7991 M4x6	4 pieces

Mounting the Rewinder



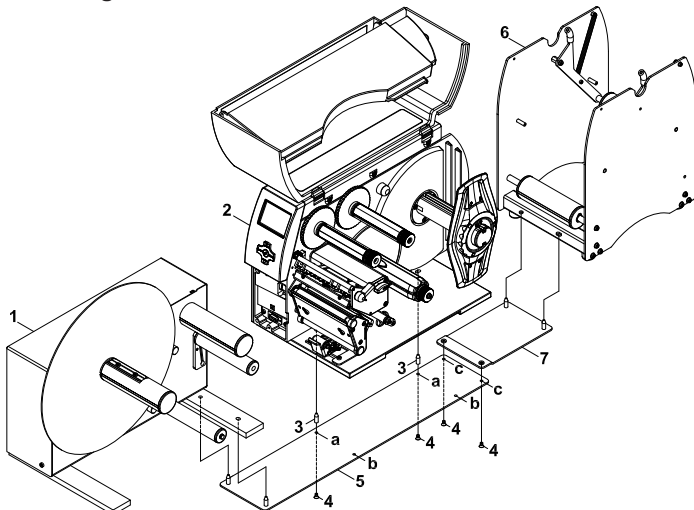
1. Attach the pins (3) with two screws (4) to the holes (a) of the adapter plate 1 (5) .
2. Put the printer (2) and the rewriter (1) on the pins of the adapter plate 1 (5) like the picture.

Mounting the Unwinder



1. Attach the pins (3) with two screws (4) to the holes (a) of the adapter plate 1 (5) .
2. Put the printer (2) and the unwinder (6) on the pins of the adapter plate 1 (5) like the picture.

Mounting the Re- and Unwinder



1. Attach the pins (3) with two screws (4) to the holes (a) of the adapter plate 1 (5) .
2. Attach adapter plate 2 (7) with two screws (4) to the holes (c) on the adapter plate 1 (5) .
3. Put the printer (2) and the rewriter (1) on the pins of the adapter plate 1 (5) like the picture.
4. Put the unwinder (6) on the pins of the adapter plate 2 (7) like the picture.

Germany

cab Produkttechnik
GmbH & Co KG
Postfach 1904
D-76007 Karlsruhe
Wilhelm-Schickard-Str. 14
D-76131 Karlsruhe
Telefon +49 721 6626-0
Telefax +49 721 6626-249
www.cab.de
info@cab.de

France

cab technologies s.a.r.l.
F-67350 Niedermodern
Téléphone +33 388 722 501
www.cab.de
info@cab-technologies.fr

USA

cab Technology Inc.
Tyngsboro MA, 01879
Phone +1 978 649 0293
www.cabtechn.com
info@cabtechn.com

South Afrika

cab Technology (Pty.) Ltd.
2125 Randburg
Phone +27 11-886-3580
www.cab.de
info@cabtechn.co.za

Asia 亞洲分公司

希壹比科技股份有限公司
cab Technology Co., Ltd.
台灣台北縣中和市中正路 700 號 9F-8
Junghe 23552, Taipei, Taiwan
電話 Phone +886 2 8227 3966
網址 www.cabasia.net
詢問 cabasia@cab.de

China 中国

铠博(上海)贸易有限公司
cab (Shanghai) Trading Co.,Ltd
上海市延安西路 2299 号 11C60 室
电话 Phone +86 21 6236-3161
询问 cabasia@cab.de

Representatives in other countries on request.