

Spare Parts List



Stroke Applicator

**HQ 4024**

Family	Type
Stroke Applicator	HQ 4014L-200
	HQ 4014L-300
	HQ 4014L-400
	HQ 4014L-600
	HQ 4014R-200
	HQ 4014R-300
	HQ 4014R-400
	HQ 4014R-600
	HQ 4016L-200
	HQ 4016L-300
	HQ 4016L-400
	HQ 4016L-600
	HQ 4016R-200
	HQ 4016R-300
	HQ 4016R-400
	HQ 4016R-600
	HQ 401...-200 Power reduced
	HQ 401...-300 Power reduced

**Table of Contents**

1 Retainer Assembly ..... 3  
 2 Pneumatics Retainer Assembly ..... 4  
 3 Electronics Retainer Assembly ..... 5  
 4 Cylinder Assembly Guiding 200 H / 300 H..... 6  
 5 Cylinder Assembly Guiding 400 H / 600 H..... 7  
 6 Cylinder Assembly ..... 8  
 7 Power Reduced ..... 9  
 8 Spare parts register ..... 10  
 9 Packaging / Accessories ..... 12

**Edition:** 10/2025 - Part.-No. 9004210

**Copyright**

This documentation as well as translation hereof are property of cab Produkttechnik GmbH & Co. KG. The replication, conversion, duplication or divulgement of the whole manual or parts of it for other intentions than its original intended purpose demand the previous written authorization by cab.

**Editor**

Regarding questions or comments please contact cab Produkttechnik GmbH & Co. KG.

**Topicality**

Due to the constant further development of our products discrepancies between documentation and product can occur. Please check [www.cab.de](http://www.cab.de) for the latest update.

**Terms and conditions**

Deliveries and performances are effected under the General conditions of sale of cab.

Germany  
**cab Produkttechnik GmbH & Co KG**  
 Karlsruhe  
 Phone +49 721 6626 0  
[www.cab.de](http://www.cab.de)

USA  
**cab Technology, Inc.**  
 Chelmsford, MA  
 Phone +1 978 250 8321  
[www.cab.de/us](http://www.cab.de/us)

Taiwan  
**cab Technology Co., Ltd.**  
 Taipei  
 Phone +886 (02) 8227 3966  
[www.cab.de/tw](http://www.cab.de/tw)

Singapore  
**cab Singapore Pte. Ltd.**  
 Singapore  
 Phone +65 6931 9099  
[www.cab.de/en](http://www.cab.de/en)

France  
**cab Technologies S.à.r.l.**  
 Niedermodern  
 Phone +33 388 722501  
[www.cab.de/fr](http://www.cab.de/fr)

Mexico  
**cab Technology, Inc.**  
 Juárez  
 Phone +52 656 682 4301  
[www.cab.de/es](http://www.cab.de/es)

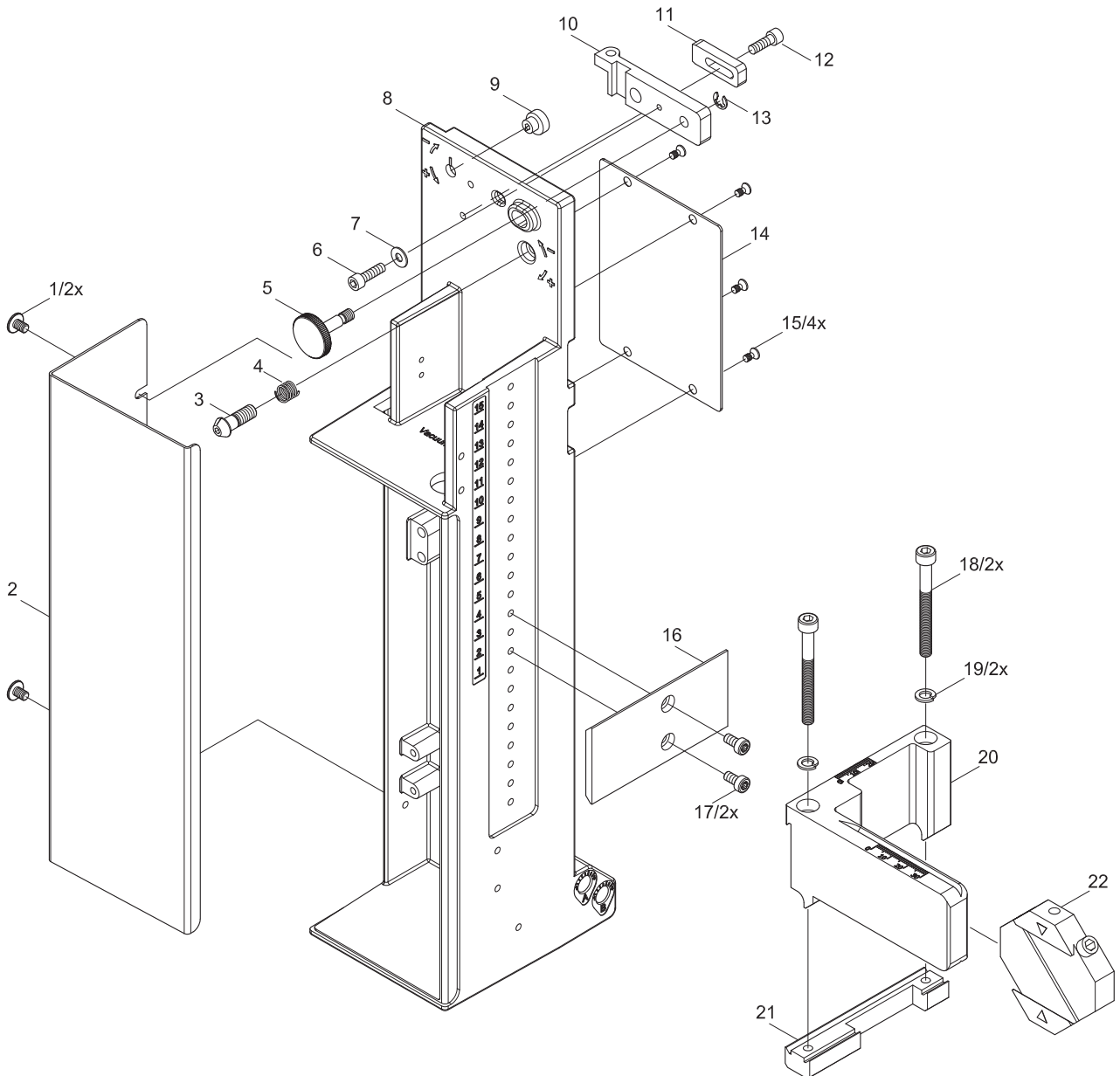
China  
**cab (Shanghai) Trading Co., Ltd.**  
 Shanghai  
 Phone +86 (021) 6236 3161  
[www.cab.de/cn](http://www.cab.de/cn)

South Africa  
**cab Technology (Pty) Ltd.**  
 Randburg  
 Phone +27 11 886 3580  
[www.cab.de/za](http://www.cab.de/za)

No.	Part-No.	Description	PU	Note	Serial No.	
					from	to
1	5902817.001	Screw sim. ISO7380-M4x6	10			
2	5964037.001	Cover	1			
3	5965963.001	Set Screw	1			
4	5904544.001	Spring	10			
5	5964367.001	Knurled Screw	1			
6	5902241.001	Screw DIN7984-M4x10	10			
7	5903003.001	Washer DIN125-A4.3	10			
9	5966530.001	Eccentric	1			
10.1	5966529.001	Hinges	1	l		
10.2	5966531.001	Hinges	1	r		
11	5964090.001	Interlock	1			
12	5902489.001	Screw DIN7984-M4x8	10			
13	5903525.001	E-Ring DIN 6799-4	10			
14	5971442.001	Plate	1			

No.	Part-No.	Description	PU	Note	Serial No.	
					from	to
15	5902839.001	Screw DIN7991-M3x6	10			
16.1	5964318.001	Adapter Profile	1	a/b		
16.2	5970013.001	Adapter Profile	1	l/c		
16.3	5970014.001	Adapter Profile	1	r/c		
17	5902837.001	Screw DIN7984-M4x8	10			
18	5902167.001	Screw DIN912-M5x50	10			
19	5903061.001	Lock Washer DIN127-B5	10			
20.1	5964312.001	Crossbeam	1	l		
20.2	5964331.001	Crossbeam	1	r		
21.1	5964310.001	Clamping Element	1	l		
21.2	5964328.001	Clamping Element	1	r		
22	5964062.001	Binder	1			
8.1	5987406.001	Mounting Plate	1	l		
8.2	5987407.001	Mounting Plate	1	r		

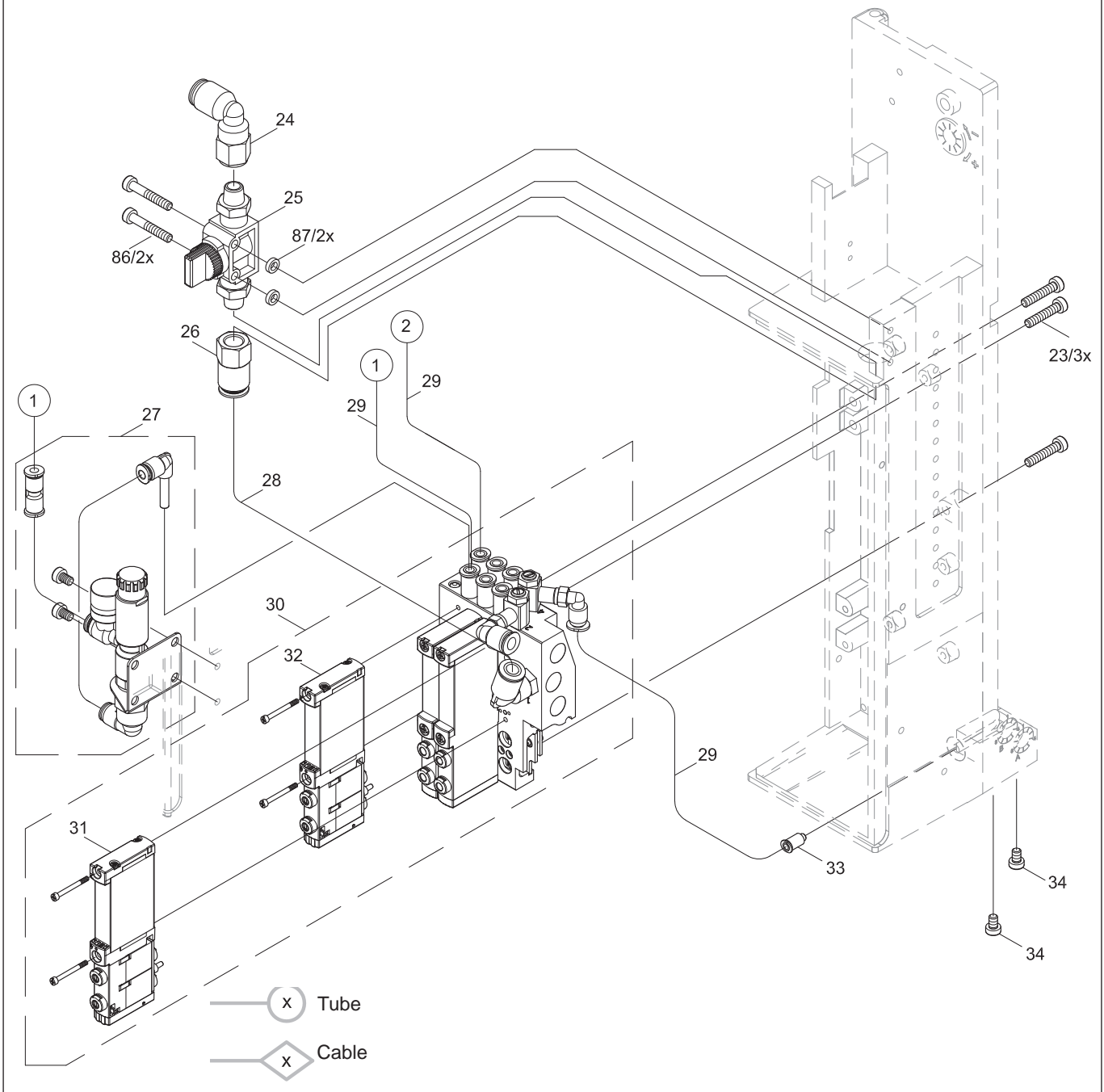
**Note**  
 l Left  
 r Right  
 a 200  
 b 300  
 c 400



No.	Part-No.	Description	PU	Note	Serial No.	
					from	to
23	5902862.001	Screw DIN7984-M4x20	10			
24	5905285.001	Push-in L-Connector	1			
25	5905284.001	Shut-off valve	1			
26	5906842.001	Push-in/threaded Fitting	1			
27	5987755.001	Pressure Control Valve Set	1	o		
28	5966465.001	Tube Ø8	2m			
29	5966460.001	Tube Ø4	2m			
30.1	5907276.001	Valve Block	1	l		
30.2	5907274.001	Valve Block	1	r		
31	5907428.001	Magnetic Valve	1			
32	5907429.001	Magnetic Valve	1			
33	5905283.001	Push-in/threaded Fitting	1			
34	5902358.001	Screw DIN7984-M4x6	10			
86	5902863.001	Screw DIN7984-M4x25	10			
87	5900524.001	Distance Bush	10			

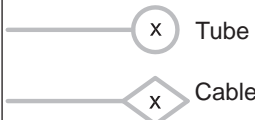
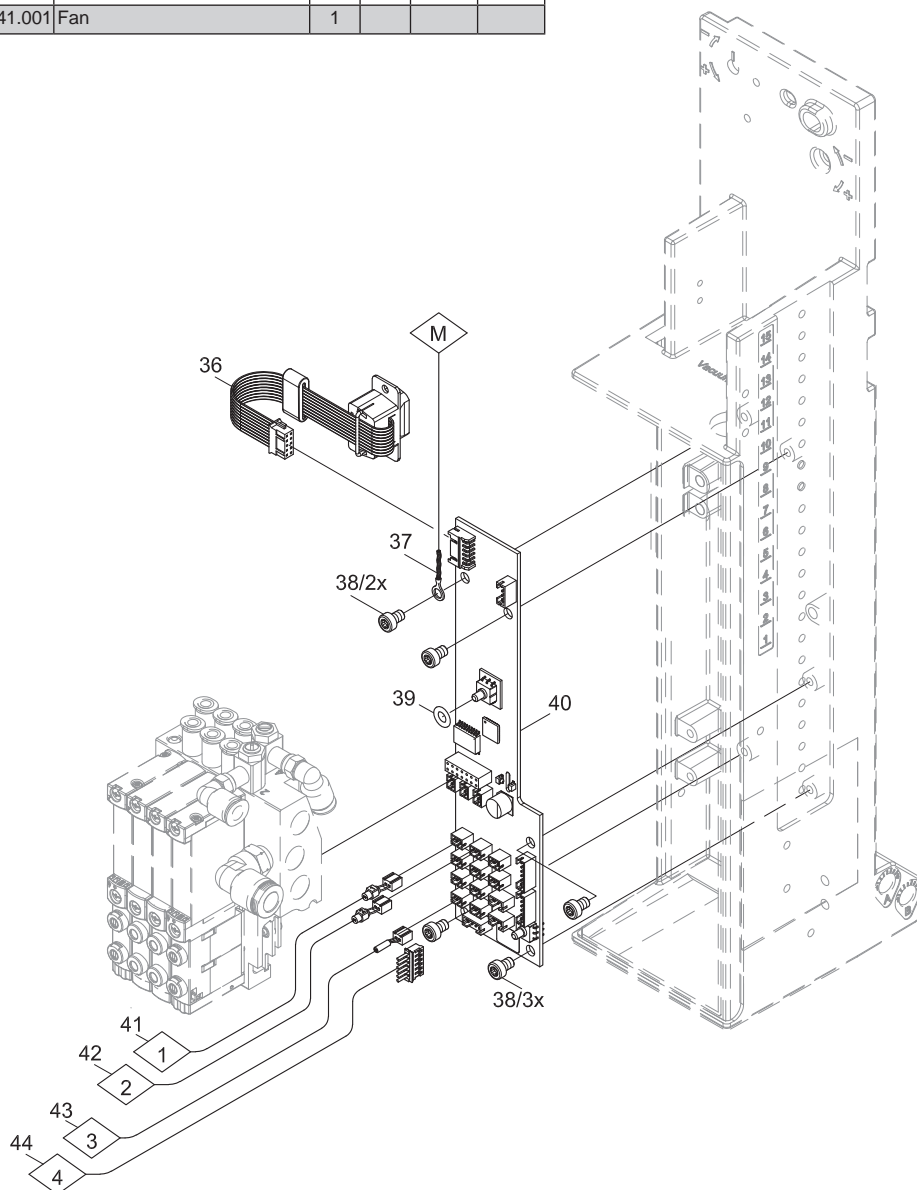
Note

l	Left
r	Right
a	200
b	300
c	400



No.	Part-No.	Description	PU	Note	Serial No.	
					from	to
36	5555267.001	Cable	1			
37.1	5964591.001	Cable	1	b		
37.2	5964592.001	Cable	1	c		
38	5902571.001	Screw DIN7984-M4x6	10			
39	5906943.001	Sealing Ring	10			
40.1	5550228.001	PCB Applicator Control	1	l		
40.2	5550231.001	PCB Applicator Control	1	r		
41.1	5964454.001	Sensor	1	a		
41.2	5964494.001	Sensor	1	b		
41.3	5964495.001	Sensor	1	c		
42.1	5964490.001	Sensor	1	a		
42.2	5964594.001	Sensor	1	b		
42.3	5964595.001	Sensor	1	c		
43	5918710.001	Sensor	10			
44	5907941.001	Fan	1			

Note  
 l Left  
 r Right  
 a 200  
 b 300  
 c 400



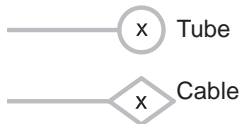
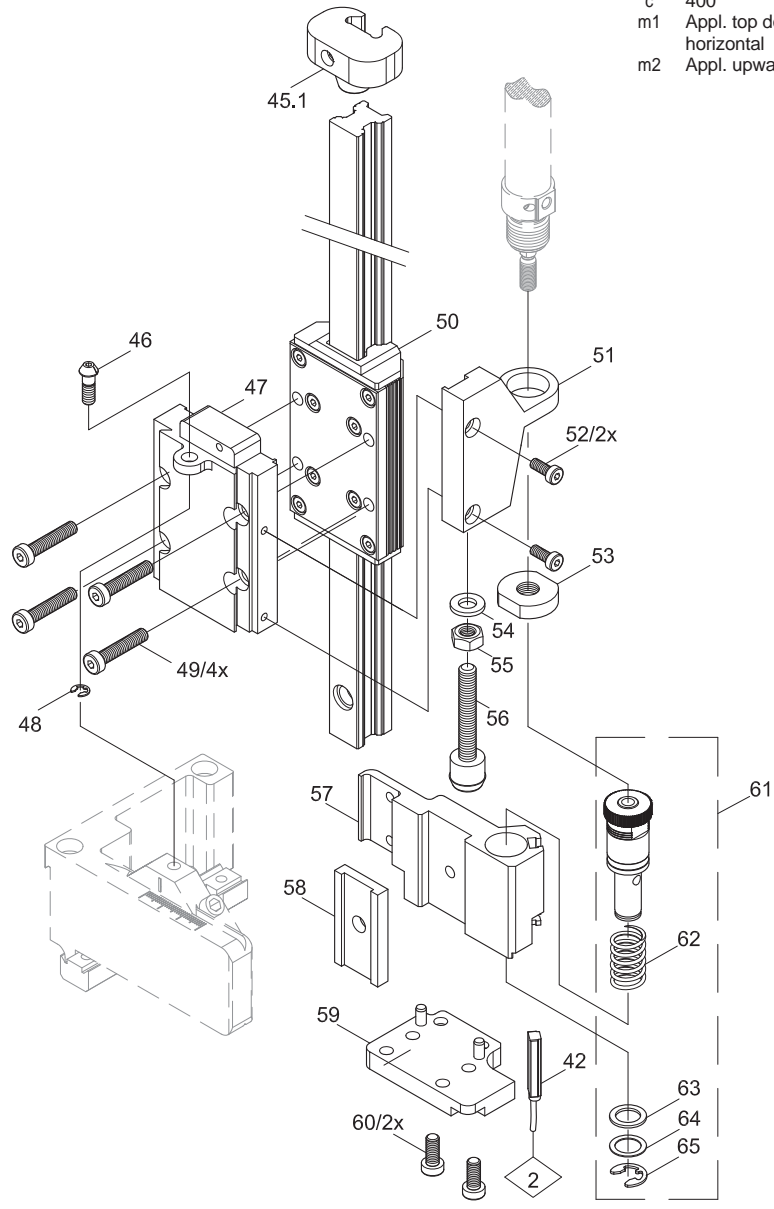
No.	Part-No.	Description	PU	Note	Serial No.	
					from	to
42.1	5964490.001	Sensor	1	a		
42.2	5964594.001	Sensor	1	b		
42.3	5964595.001	Sensor	1	c		
45.1	5979353.001	Stopper	1	a		
46	5964061.001	Set Screw	1			
47.1	5979349.001	Plate	1	l/b		
47.2	5979417.001	Plate	1	r/b		
48	5903505.001	E-Ring DIN6799-5	10			
49	5902827.001	Screw DIN7984-M5x25	10			
50.1	5979331.001	Guide Rail with Carriage	1			
50.2	5979342.001	Guide Rail with Carriage	1	a		
51.1	5964301.001	Holder	1	l		
51.2	5964336.001	Holder	1	r		
52	5902562.001	Screw DIN7984 M4x14	10			
53	5521159.001	Nut	1			

No.	Part-No.	Description	PU	Note	Serial No.	
					from	to
54	5903040.001	Washer DIN125-A6,4	10			
55	5902504.001	Nut DIN934-M6	10			
56	5964349.001	Stopper	1			
57.1	5964236.001	Tamp Retainer	1	l		
57.2	5964241.001	Tamp Retainer	1	r		
58	5979327.001	Adapter Rail	1	a		
59.1	5979333.001	Plate	1	l		
59.2	5979419.001	Plate	1	r		
60	5902910.001	Screw DIN7984-M5x10	10			
61	5964311.001	Adapter Bolt	1			
62.1	5905069.001	Spring	1			
62.2	5905049.001	Spring	1			
63	5521157.001	Washer	1			
64	5521158.001	Washer	1			
65	5903501.001	E-Ring DIN6799-7	10			

200 / 300 H

**Note**

- l Left
- r Right
- a 200
- b 300
- c 400
- m1 Appl. top down / horizontal
- m2 Appl. upward



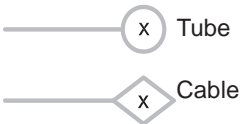
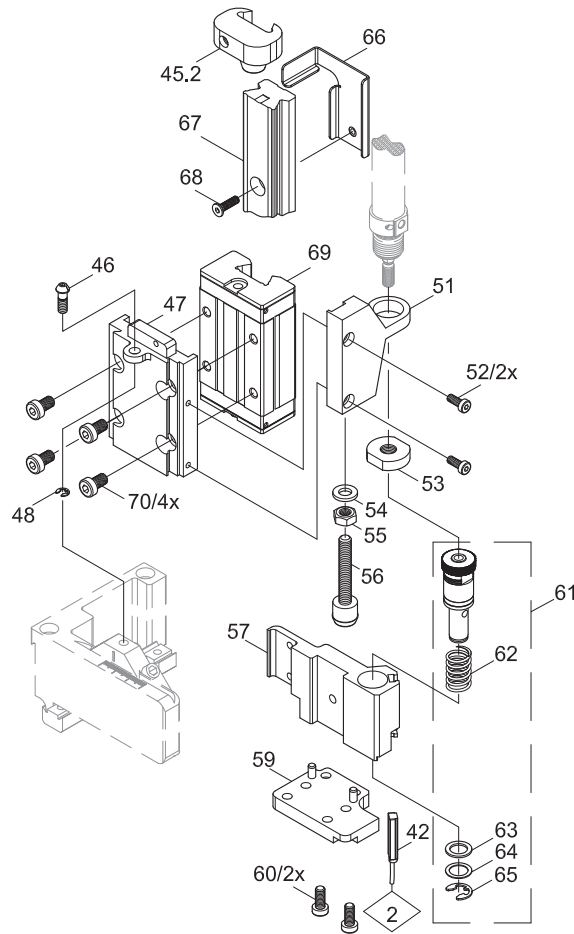
No.	Part-No.	Description	PU	Note	Serial No.	
					from	to
42.1	5964490.001	Sensor	1	a		
42.2	5964594.001	Sensor	1	b		
42.3	5964595.001	Sensor	1	c		
45.2	5964364.001	Stopper	1	b		
46	5964061.001	Set Screw	1			
47.3	5964302.001	Plate	1	l/c		
47.4	5964337.001	Plate	1	r/c		
48	5903505.001	E-Ring DIN6799-5	10			
51.1	5964301.001	Holder	1	l		
51.2	5964336.001	Holder	1	r		
52	5902562.001	Screw DIN7984 M4x14	10			
53	5521159.001	Nut	1			
54	5903040.001	Washer DIN125-A6,4	10			
55	5902504.001	Nut DIN934-M6	10			
56	5964349.001	Stopper	1			
57.1	5964236.001	Tamp Retainer	1	l		
57.2	5964241.001	Tamp Retainer	1	r		

No.	Part-No.	Description	PU	Note	Serial No.	
					from	to
59.1	5979333.001	Plate	1	l		
59.2	5979419.001	Plate	1	r		
60	5902910.001	Screw DIN7984-M5x10	10			
61	5964311.001	Adapter Bolt	1			
62.1	5905069.001	Spring	1			
62.2	5905049.001	Spring	1			
63	5521157.001	Washer	1			
64	5521158.001	Washer	1			
65	5903501.001	E-Ring DIN6799-7	10			
66.1	5966524.001	Bracket	1	l/c		
66.2	5966528.001	Bracket	1	r/c		
67	5979307.001	Guide Rail	1	b		
69	5965966.001	Sliding Carriage	1	c		
70	5902375.001	Screw DIN7984-M6x10	10			

**Note**

- l Left
- r Right
- a 200
- b 300
- c 400
- m1 Appl. top down / horizontal
- m2 Appl. upward

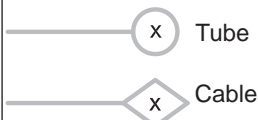
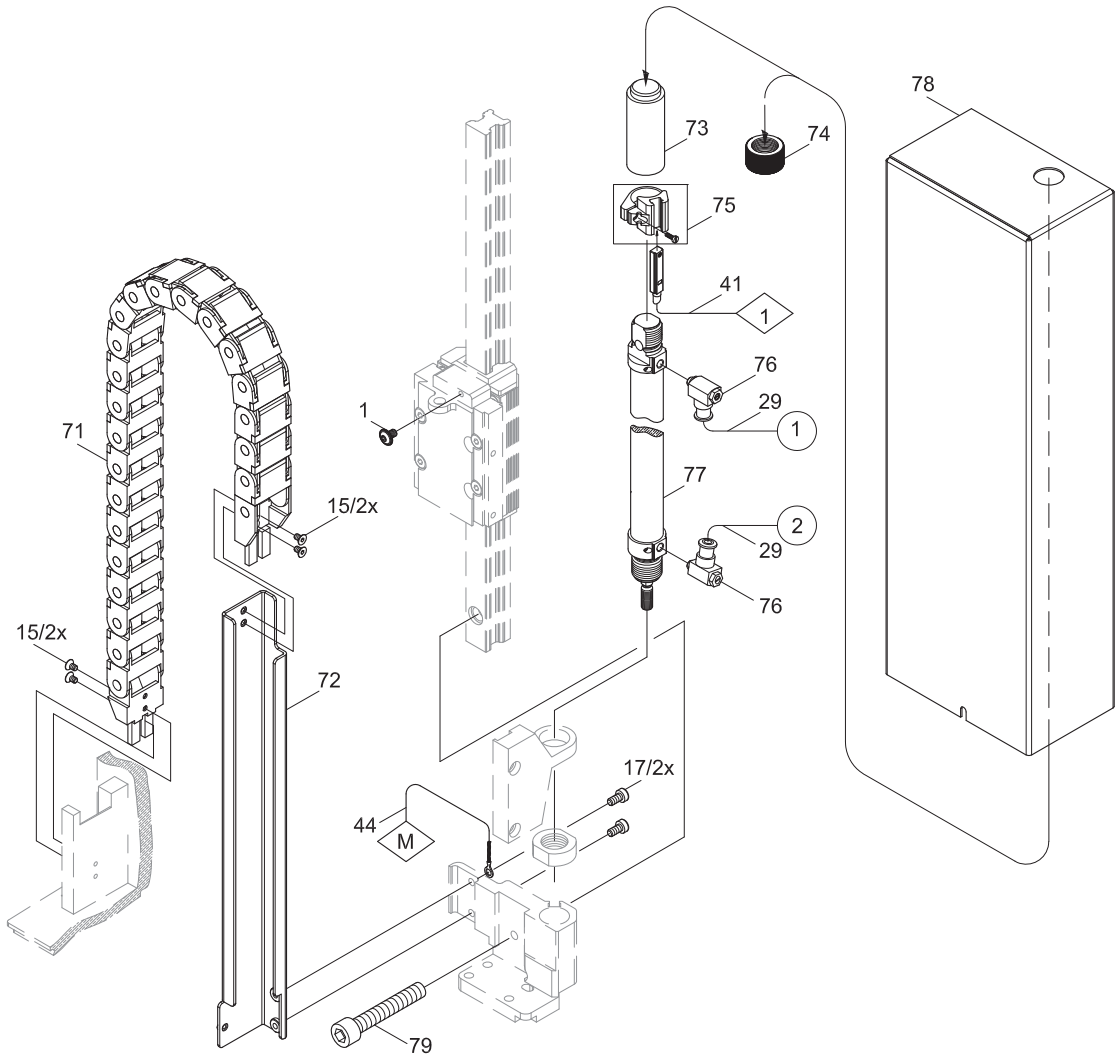
400 H



No.	Part-No.	Description	PU	Note	Serial No.	
					from	to
15	5902839.001	Screw DIN7991-M3x6	10			
29	5966460.001	Tube Ø4	2m			
41.1	5964454.001	Sensor	1	a		
41.2	5964494.001	Sensor	1	b		
41.3	5964495.001	Sensor	1	c		
71.1	5987679.001	Energy Track	1	a		
71.2	5987647.001	Energy Track	1	b		
71.3	5987680.001	Energy Track	1	c		
72.1	5987656.001	Bracket	1	l/a		
72.2	5987645.001	Bracket	1	r/a		
72.3	5987645.001	Bracket	1	l/b		
72.4	5987663.001	Bracket	1	r/b		
72.5	5987655.001	Bracket	1	l/c		
72.6	5987664.001	Bracket	1	r/c		

No.	Part-No.	Description	PU	Note	Serial No.	
					from	to
73	5964443.001	Bolt	1			
74	5964489.001	Knurled Nut	1			
75	5905593.001	Mounting Clip	1			
76	5906636.001	One-way Flow Control Valve	1			
77.1	5906938.001	Cylinder	1	a		
77.2	5905973.001	Cylinder	1	b		
77.3	5906117.001	Cylinder	1	c		
78.1	5964440.001	Cover	1	l/a		
78.2	5964440.001	Cover	1	r/a		
78.3	5964483.001	Cover	1	l/b		
78.4	5964453.001	Cover	1	r/b		
78.5	5964484.001	Cover	1	l/c		
78.6	5964485.001	Cover	1	r/c		
79	5902895.001	Screw DIN7984-M 6x30	10			

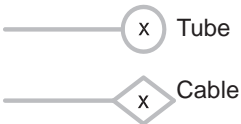
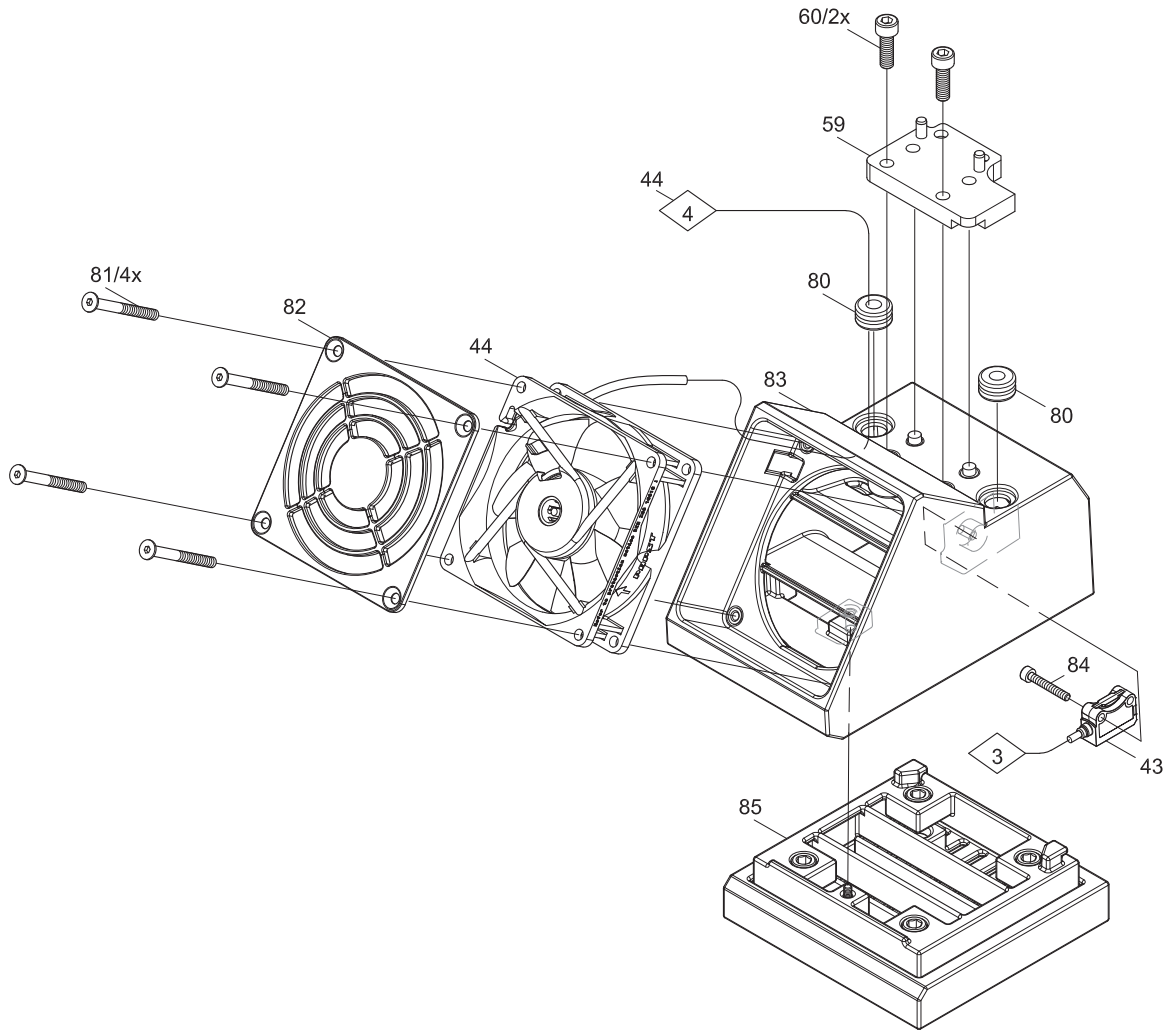
**Note**  
 l Left  
 r Right  
 a 200  
 b 300  
 c 400



No.	Part-No.	Description	PU	Note	Serial No.	
					from	to
43	5918710.001	Sensor	10			
44	5907941.001	Fan	1			
59.1	5979333.001	Plate	1	l		
59.2	5979419.001	Plate	1	r		
60	5902910.001	Screw DIN7984-M5x10	10			
80	5907940.001	Cable sleeve	5			
82	5989310.001	Fan guard	1			
83	5989308.001	Housing	1			
84	5902974.001	Screw DIN7991-M4x35	10			
84	5902848.001	Screw DIN912-M3x20	10			
85		Tamp -on pad (catalog)				

**Note**

l	Left
r	Right
a	200
b	300
c	400



Pos.	Figure/Page				No.	Part No.	Description	PU	SPR	Notes	Serial No.		
	from	to											
1		6	7		63	5521157.001	Washer	1	-				
2		6	7		64	5521158.001	Washer	1	-				
3		6	7		53	5521159.001	Nut	1	-				
4		5			40.1	5550228.001	PCB Applicator Control	1	C	l			
5		5			40.2	5550231.001	PCB Applicator Control	1	C	r			
6		5			36	555267.001	Cable	1	-				
7	4				87	5900524.001	Distance Bush	10	-				
8	3				18	5902167.001	Screw DIN912-M5x50	10	-				
9	3				6	5902241.001	Screw DIN7984-M4x10	10	-				
10	4				34	5902358.001	Screw DIN7984-M4x6	10	-				
11				7	70	5902375.001	Screw DIN7984-M6x10	10	-				
12	3				12	5902489.001	Screw DIN7984-M4x8	10	-				
13			6	7	55	5902504.001	Nut DIN934-M6	10	-				
14			6	7	52	5902562.001	Screw DIN7984 M4x14	10	-				
15		5			38	5902571.001	Screw DIN7984-M4x6	10	-				
16	3				1	5902817.001	Screw sim. ISO7380-M4x6	10	-				
17			6		49	5902827.001	Screw DIN7984-M5x25	10	-				
18	3				17	5902837.001	Screw DIN7984-M4x8	10	-				
19	3			8	15	5902839.001	Screw DIN7991-M3x6	10	-				
20				9	84	5902848.001	Screw DIN912-M3x20	10	-				
21	4				23	5902862.001	Screw DIN7984-M4x20	10	-				
22	4				86	5902863.001	Screw DIN7984-M4x25	10	-				
23				8	79	5902895.001	Screw DIN7984-M 6x30	10	-				
24			6	7	9	60	5902910.001	Screw DIN7984-M5x10	10	-			
25				9	84	5902974.001	Screw DIN7991-M4x35	10	-				
26	3				7	5903003.001	Washer DIN125-A4.3	10	-				
27			6	7	54	5903040.001	Washer DIN125-A6,4	10	-				
28	3				19	5903061.001	Lock Washer DIN127-B5	10	-				
29			6	7	65	5903501.001	E-Ring DIN6799-7	10	-				
30			6	7	48	5903505.001	E-Ring DIN6799-5	10	-				
31	3				13	5903525.001	E-Ring DIN 6799-4	10	-				
32	3				4	5904544.001	Spring	10	C				
33			6	7	62.2	5905049.001	Spring	1	C				
34			6	7	62.1	5905069.001	Spring	1	C				
35	4				33	5905283.001	Push-in/threaded Fitting	1	-				
36	4				25	5905284.001	Shut-off valve	1	-				
37	4				24	5905285.001	Push-in L-Connector	1	-				
38				8	75	5905593.001	Mounting Clip	1	-				
39				8	77.2	5905973.001	Cylinder	1	C	b			
40				8	77.3	5906117.001	Cylinder	1	C	c			
41				8	76	5906636.001	One-way Flow Control Valve	1	A				
42	4				26	5906842.001	Push-in/threaded Fitting	1	-				
43				8	77.1	5906938.001	Cylinder	1	C	a			
44		5			39	5906943.001	Sealing Ring	10	-				
45	4				30.2	5907274.001	Valve Block	1	C	r			
46	4				30.1	5907276.001	Valve Block	1	C	l			
47	4				31	5907428.001	Magnetic Valve	1	B				
48	4				32	5907429.001	Magnetic Valve	1	B				
49				9	80	5907940.001	Cable sleeve	5	-				
50		5		9	44	5907941.001	Fan	1	-				
51		5		9	43	5918710.001	Sensor	10	-				
52	3				2	5964037.001	Cover	1	-				
53			6	7	46	5964061.001	Set Screw	1	-				
54	3				22	5964062.001	Binder	1	-				
55	3				11	5964090.001	Interlock	1	-				
56	4				35	5964095.001	Blow Tube 4"	1	-	d			

PU Package unit

Note

l Left  
r Right  
a 200  
b 300  
c 400m1 Appl. top down / horizontal  
m2 Appl. upward  
o Option

SPR Recommendation

A - wearing parts and accessories

B - recommended spare parts for quick repair

D - recommended spare parts for central stores

Pos.	Figure/Page				No.	Part No.	Description	PU	SPR	Notes	Serial No.	
	from	to										
57		6	7		57.1	5964236.001	Tamp Retainer	1	-	l		
58		6	7		57.2	5964241.001	Tamp Retainer	1	-	r		
59		6	7		51.1	5964301.001	Holder	1	-	l		
60			7		47.3	5964302.001	Plate	1	-	l/c		
61	3				21.1	5964310.001	Clamping Element	1	-	l		
62		6	7		61	5964311.001	Adapter Bolt	1	-			
63	3				20.1	5964312.001	Crossbeam	1	-	l		
64	3				16.1	5964318.001	Adapter Profile	1	-	a/b		
65	3				21.2	5964328.001	Clamping Element	1	-	r		
66	3				20.2	5964331.001	Crossbeam	1	-	r		
67		6	7		51.2	5964336.001	Holder	1	-	r		
68			7		47.4	5964337.001	Plate	1	-	r/c		
69		6	7		56	5964349.001	Stopper	1	-			
70			7		45.2	5964364.001	Stopper	1	-	b		
71	3				5	5964367.001	Knurled Screw	1	-			
72				8	78.1	5964440.001	Cover	1	-	l/a		
73				8	78.2	5964440.001	Cover	1	-	r/a		
74				8	73	5964443.001	Bolt	1	-			
75				8	78.4	5964453.001	Cover	1	-	r/b		
76		5		8	41.1	5964454.001	Sensor	1	-	a		
77				8	78.3	5964483.001	Cover	1	-	l/b		
78				8	78.5	5964484.001	Cover	1	-	l/c		
79				8	78.6	5964485.001	Cover	1	-	r/c		
80				8	74	5964489.001	Knurled Nut	1	-			
81		5	6	7	42.1	5964490.001	Sensor	1	C	a		
82		5		8	41.2	5964494.001	Sensor	1	C	b		
83		5		8	41.3	5964495.001	Sensor	1	C	c		
84		5			37.1	5964591.001	Cable	1	C	b		
85		5			37.2	5964592.001	Cable	1	C	c		
86		5	6	7	42.2	5964594.001	Sensor	1	C	b		
87		5	6	7	42.3	5964595.001	Sensor	1	C	c		
88	3				3	5965963.001	Set Screw	1	-			
89			7		69	5965966.001	Sliding Carriage	1	-	c		
90	4			8	29	5966460.001	Tube Ø4	2m	B			
91	4				28	5966465.001	Tube Ø8	2m	B			
92			7		66.1	5966524.001	Bracket	1	-	l/c		
93			7		66.2	5966528.001	Bracket	1	-	r/c		
94	3				10.1	5966529.001	Hinges	1	-	l		
95	3				9	5966530.001	Eccentric	1	-			
96	3				10.2	5966531.001	Hinges	1	-	r		
97	3				16.2	5970013.001	Adapter Profile	1	-	l/c		
98	3				16.3	5970014.001	Adapter Profile	1	-	r/c		
99	3				14	5971442.001	Plate	1	C			
100			7		67	5979307.001	Guide Rail	1	-	b		
101		6			58	5979327.001	Adapter Rail	1	-	a		
102		6			50.1	5979331.001	Guide Rail with Carriage	1	-			
103		6	7	9	59.1	5979333.001	Plate	1	-	l		
104		6			50.2	5979342.001	Guide Rail with Carriage	1	-	a		
105		6			47.1	5979349.001	Plate	1	-	l/b		
106		6			45.1	5979353.001	Stopper	1	-	a		
107		6			47.2	5979417.001	Plate	1	-	r/b		
108		6	7	9	59.2	5979419.001	Plate	1	-	r		
109	3				8.1	5987406.001	1	1	-	l		
110	3				8.2	5987407.001	Mounting Plate	1	-	r		
111				8	72.2	5987645.001	Bracket	1	-	r/a		
112				8	72.3	5987645.001	Bracket	1	-	l/b		

PU Package unit

Note

l Left  
r Right  
a 200  
b 300  
c 400m1 Appl. top down / horizontal  
m2 Appl. upward  
o Option

SPR Recommendation

A - wearing parts and accessories

B - recommended spare parts for quick repair

D - recommended spare parts for central stores

Pos.	Figure/Page		No.	Part No.	Description	PU	SPR	Notes	Serial No.		
									from	to	
113			8	71.2	5987647.001	Energy Track	1	-	b		
114			8	72.5	5987655.001	Bracket	1	-	l/c		
115			8	72.1	5987656.001	Bracket	1	-	l/a		
116			8	72.4	5987663.001	Bracket	1	-	r/b		
117			8	72.6	5987664.001	Bracket	1	-	r/c		
118			8	71.1	5987679.001	Energy Track	1	-	a		
119			8	71.3	5987680.001	Energy Track	1	-	c		
120	4			27	5987755.001	Pressure Control Valve Set	1	-	o		
121			9	83	5989308.001	Housing	1	-			
122			9	82	5989310.001	Fan guard	1	-			

## 9 Packaging / Accessories

Pos.	Figure/Page		No.	Part No.	Description	PU	SPR	Notes	Serial No.		
									from	to	
123					9109134.001	Packaging	1	-			

PU Package unit

SPR Recommendation

A - wearing parts and accessories

B - recommended spare parts for quick repair

D - recommended spare parts for central stores

Note

l Left  
r Right  
a 200  
b 300  
c 400

m1 Appl. top down / horizontal  
m2 Appl. upward  
o Option