

Spare Parts List



Label Printer

HERMES QL RIGHT

MADE IN GERMANY

Family	Type
HERMES QL	4.3R/200
	4.3R/300

Table of Contents

1 Cover, Control Panel..... 3
 2 Electronics, Power Supply 4
 3 Print Unit 5
 4 Transport Unit 6
 5 Drive, Cutter..... 7
 6 Pendulum Arm 8
 7 Unwinder..... 9
 8 Cover (Option) 10
 9 Spare Parts Register 11
 10 Packaging/Accessories..... 13

Edition: 04/2025 - **Part No.:** 9004198

Copyright

This documentation, as well as translations thereof, are the property of cab Produkttechnik GmbH & Co. KG. The replication, conversion, duplication or distribution of the whole manual or parts thereof for purposes other than its original intended purpose require previous written authorization by cab. Any software that is part of this system is made available under license and may be used or copied only in agreement with the license conditions.

Trademark

Microsoft® is a registered trademark of the Microsoft Corporation.

Editor

Regarding questions or suggestions, please contact cab Produkttechnik GmbH & Co. KG, Germany.

Topicality

Due to the constant further development of our products, discrepancies between documentation and product may occur. For the current edition, please see www.cab.de.

Terms and conditions

Deliveries and services are carried out according to the general sales conditions of cab.

Germany
cab Produkttechnik GmbH & Co KG
 Karlsruhe
 Phone +49 721 6626 0
www.cab.de

USA
cab Technology, Inc.
 Chelmsford, MA
 Phone +1 978 250 8321
www.cab.de/us

Taiwan
cab Technology Co., Ltd.
 Taipei
 Phone +886 (02) 8227 3966
www.cab.de/tw

Singapore
cab Singapore Pte. Ltd.
 Singapore
 Phone +65 6931 9099
www.cab.de/en

France
cab Technologies S.à.r.l.
 Niedermodern
 Phone +33 388 722501
www.cab.de/fr

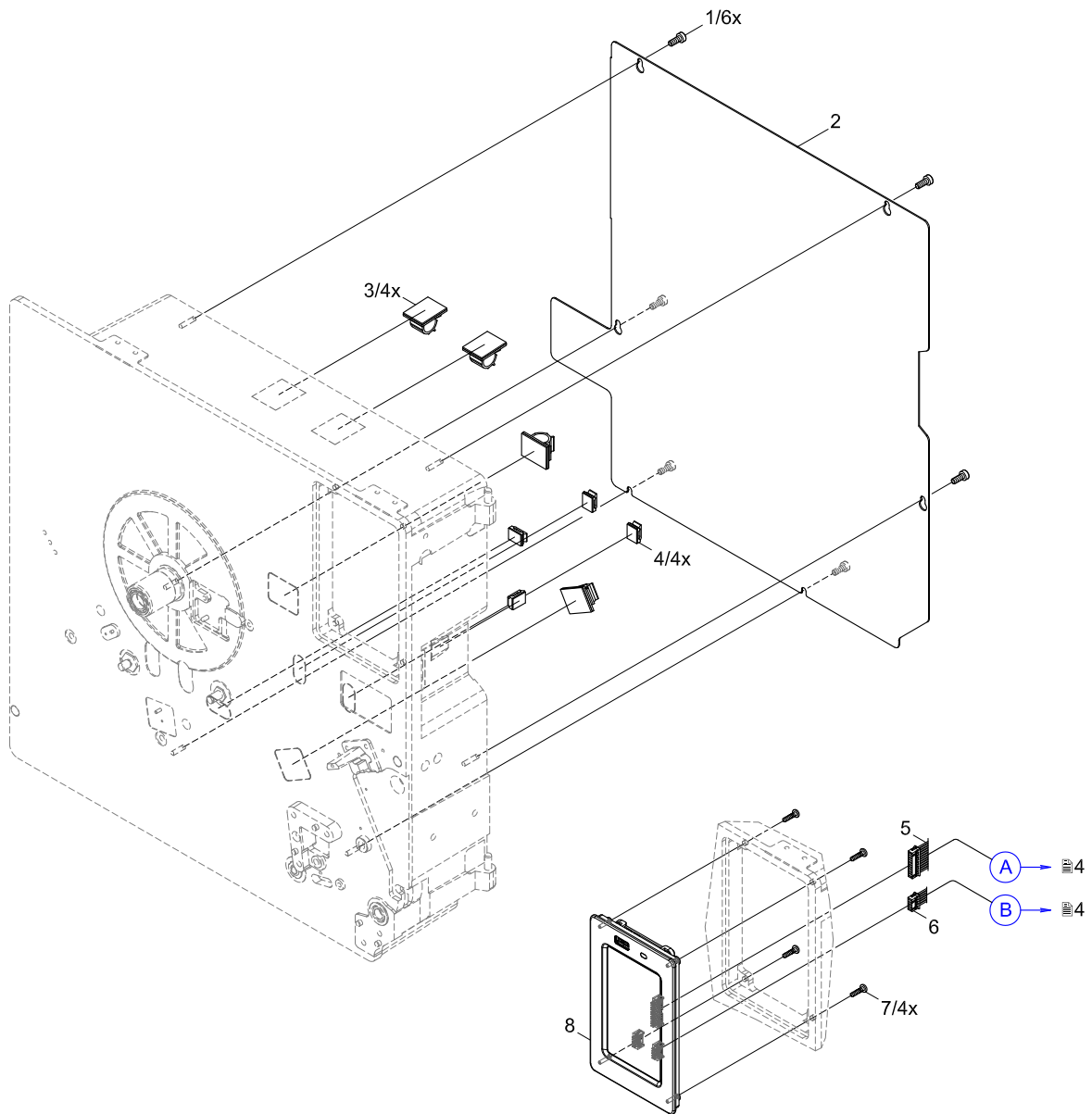
Mexico
cab Technology, Inc.
 Juárez
 Phone +52 656 682 4301
www.cab.de/es

China
cab (Shanghai) Trading Co., Ltd.
 Shanghai
 Phone +86 (021) 6236 3161
www.cab.de/cn

South Africa
cab Technology (Pty) Ltd.
 Randburg
 Phone +27 11 886 3580
www.cab.de/za

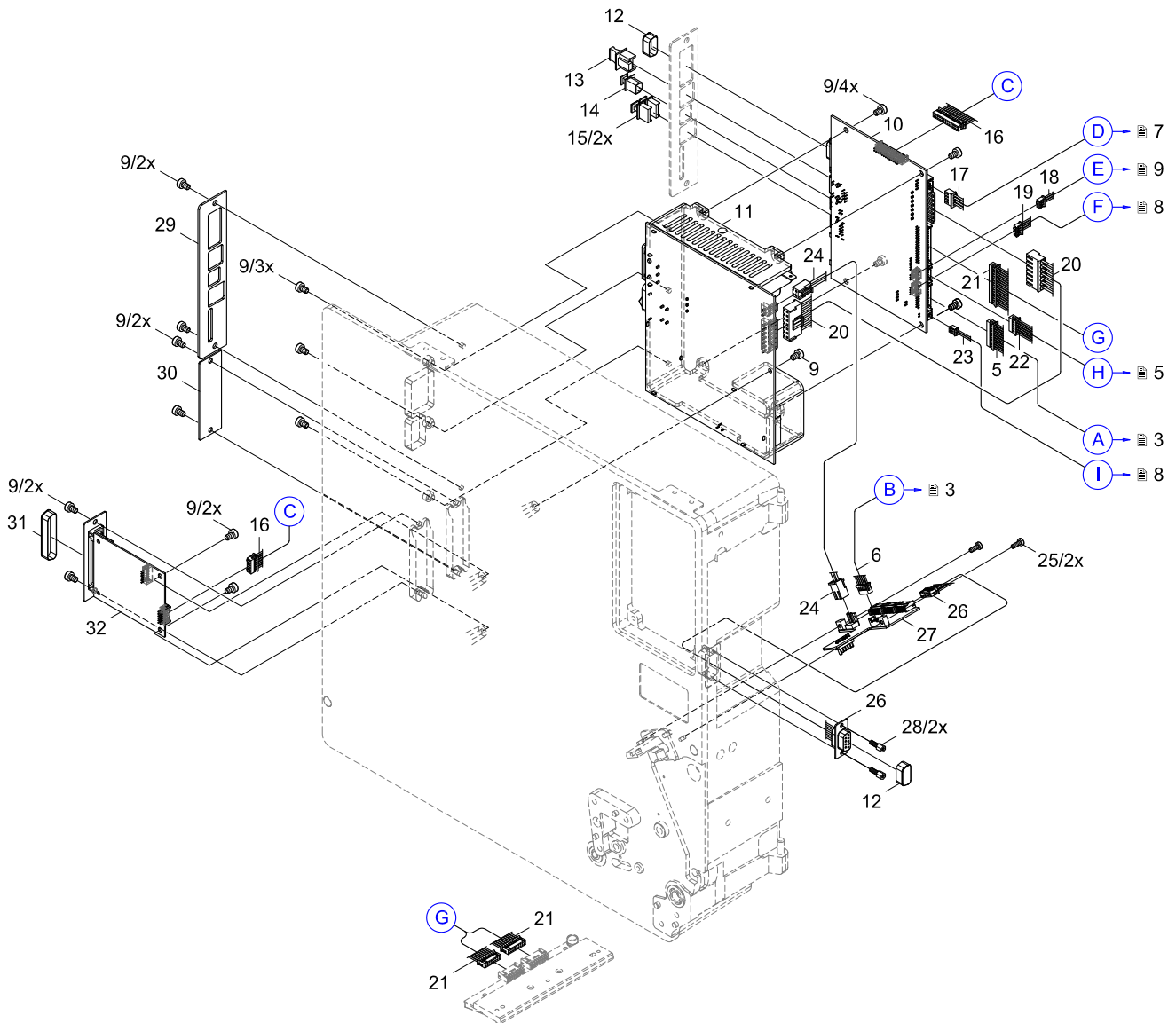
No.	Part No.	Description	PU	Notes	Serial No.	
					from	to
1	5902565.001	Screw DIN7984-M4x10	10			
2	6010494.001	Cover	1			
3	5901781.001	Cable Clamp	10			
4	5901509.001	Cable Clamp	10			

No.	Part No.	Description	PU	Notes	Serial No.	
					from	to
5	5555140.001	Cable Control Panel	1			
6	5555144.001	Cable USB	1			
7	5902414.001	Screw EJOPT-K30x12	10			
8	6010055.001	Control Panel	1			



No.	Part No.	Description	PU	Notes	Serial No.	
					from	to
5	5555140.001	Cable Control Panel	1			
6	5555144.001	Cable USB	1			
9	5902571.001	Screw DIN7984-M4x6	10			
10	5551166.001	PCB CPU X4.3	1			
11	5551162.001	Power Supply	1			
12	5906181.001	Protection Cap	10			
13	5906190.001	Protection Cap	10			
14	5906189.001	Protection Cap	10			
15	5906188.001	Protection Cap	1			
16	5551467.001	Cable I/O Interface	1			
17	5977350.001	Stepper Motor	1			
18	6010516.001	Cable Winding Sensor	1			
19	6010421.001	Cable Switch	1			

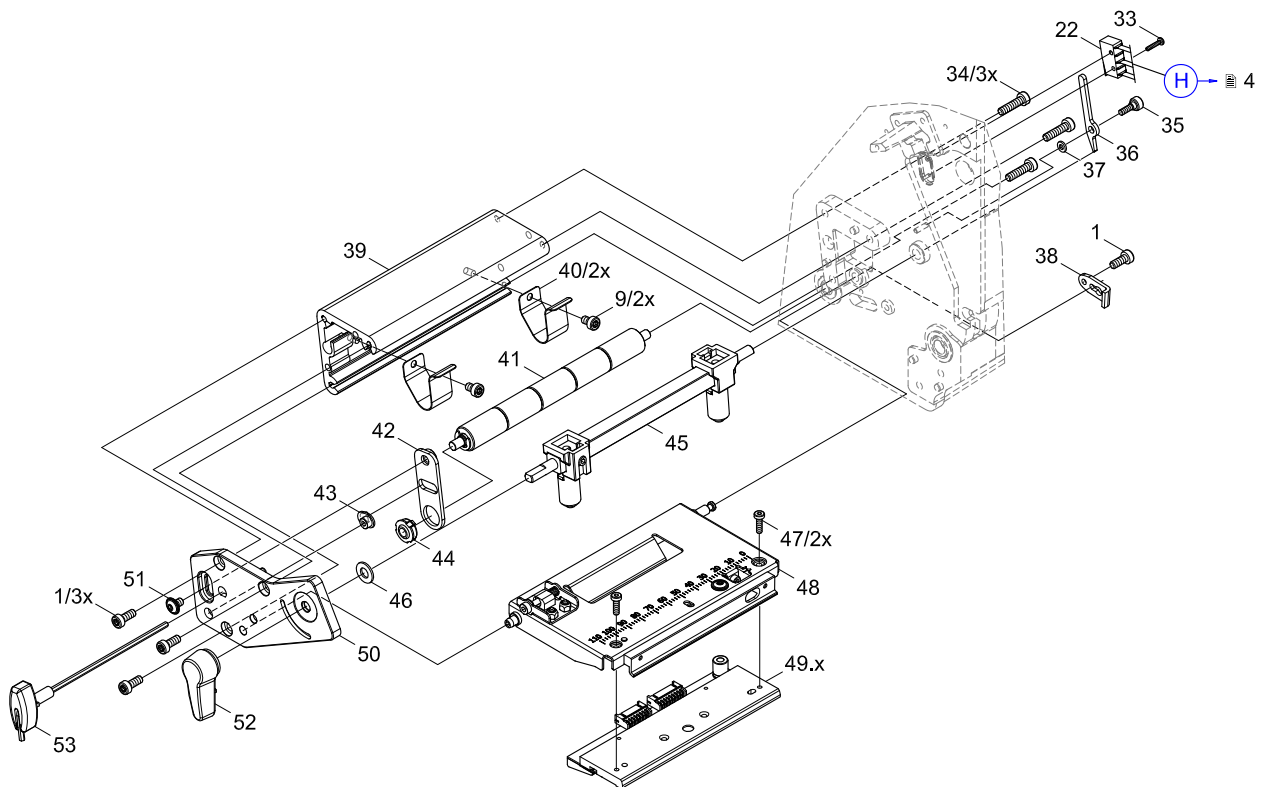
No.	Part No.	Description	PU	Notes	Serial No.	
					from	to
20	5977326.001	Cable Power Supply	1			
21	5591100.001	Cable Printhead	1			
22	5555287.001	Cable Sensor	1			
23	6010380.001	Cable Switch	1			
24	5555283.001	Cable 24 V	1			
25	5902867.001	Screw DIN7984-M3x8	10			
26	5555281.001	Cable Periphery	1			
27	5551552.001	PCB Splitter	1			
28	5902141.001	Bolt A/M3 I/U4	10			
29	6010176.001	Blind	1			
30	5977576.001	Cover	1			
31	5906187.001	Protection Cap	1			
32	5551447.001	PCB I/O-Interface	1			



No.	Part No.	Description	PU	Notes	Serial No.	
					from	to
1	5902565.001	Screw DIN7984-M4x10	10			
9	5902571.001	Screw DIN7984-M4x6	10			
22	5555287.001	Cable Sensor	1			
33	5902457.001	Screw DIN7985-M2x10	10			
34	5902572.001	Screw DIN7984 M4x16	10			
35	5956188.001	Screw	1			
36	6010198.001	Switch Lever	1			
37	5903103.001	Washer DIN988-3x6x1.0	10			
38	5977591.001	Clamp	1			
39	6012176.001	Profile	1			
40	5977336.001	Spring	1			
41	6012127.001	Roller	1			
42	6012125.001	Adjusting Plate	1			

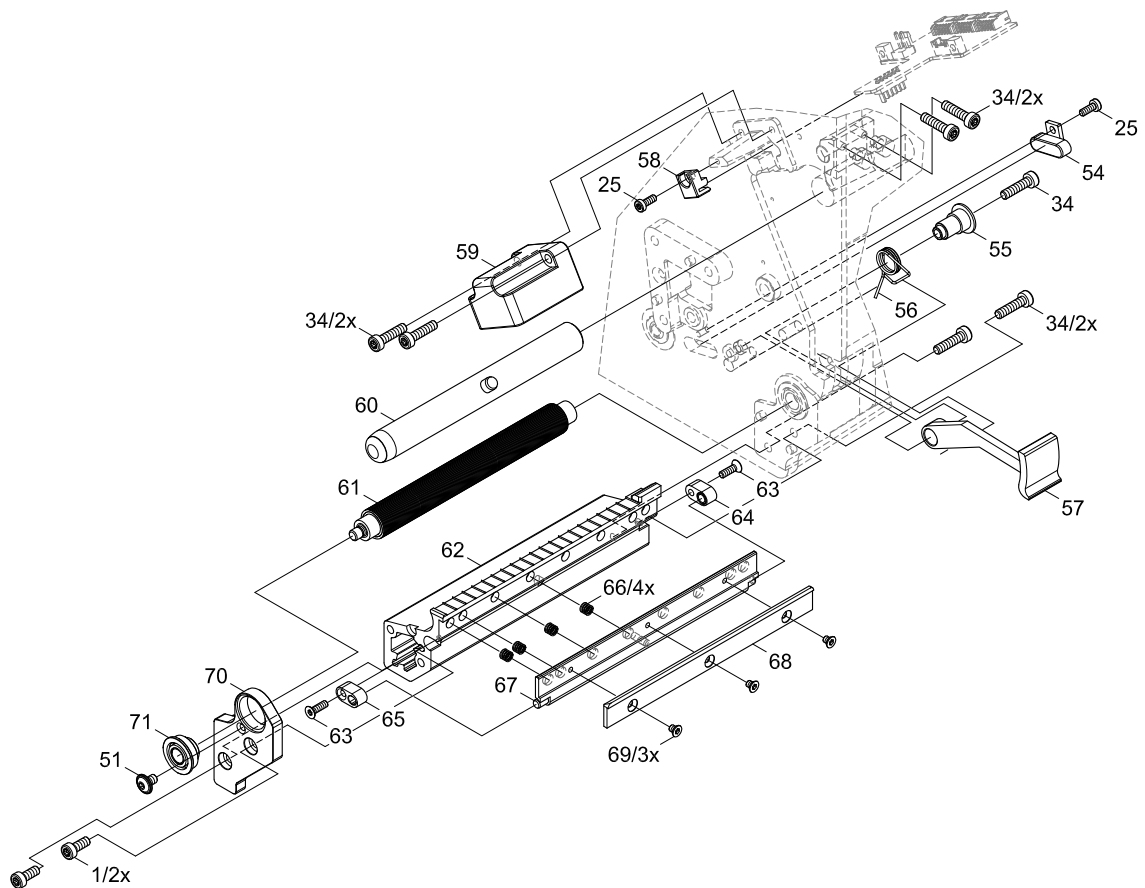
No.	Part No.	Description	PU	Notes	Serial No.	
					from	to
43	6012123.001	Eccentric	1			
44	5901201.001	Spherical Bearing	1			
45	6010844.001	Printhead Locking System	1			
46	5903106.001	Washer DIN988-6x12x1.0	10			
47	5902425.001	Screw DIN912-M3x10	10			
48	6012154.001	Printhead Mounting Bracket	1			
49.1	5977382.001	Printhead 4.3/200	1	200		
49.2	5977383.001	Printhead 4.3/300	1	300		
50	6012159.001	Side Plate	1			
51	5902817.001	Screw sim. ISO7380-M4x6	10			
52	5977459.001	Lever	1			
53	5946113.001	Allen Key	1			

Notes	200	HERMES QL4.3R/200
	300	HERMES QL4.3R/300



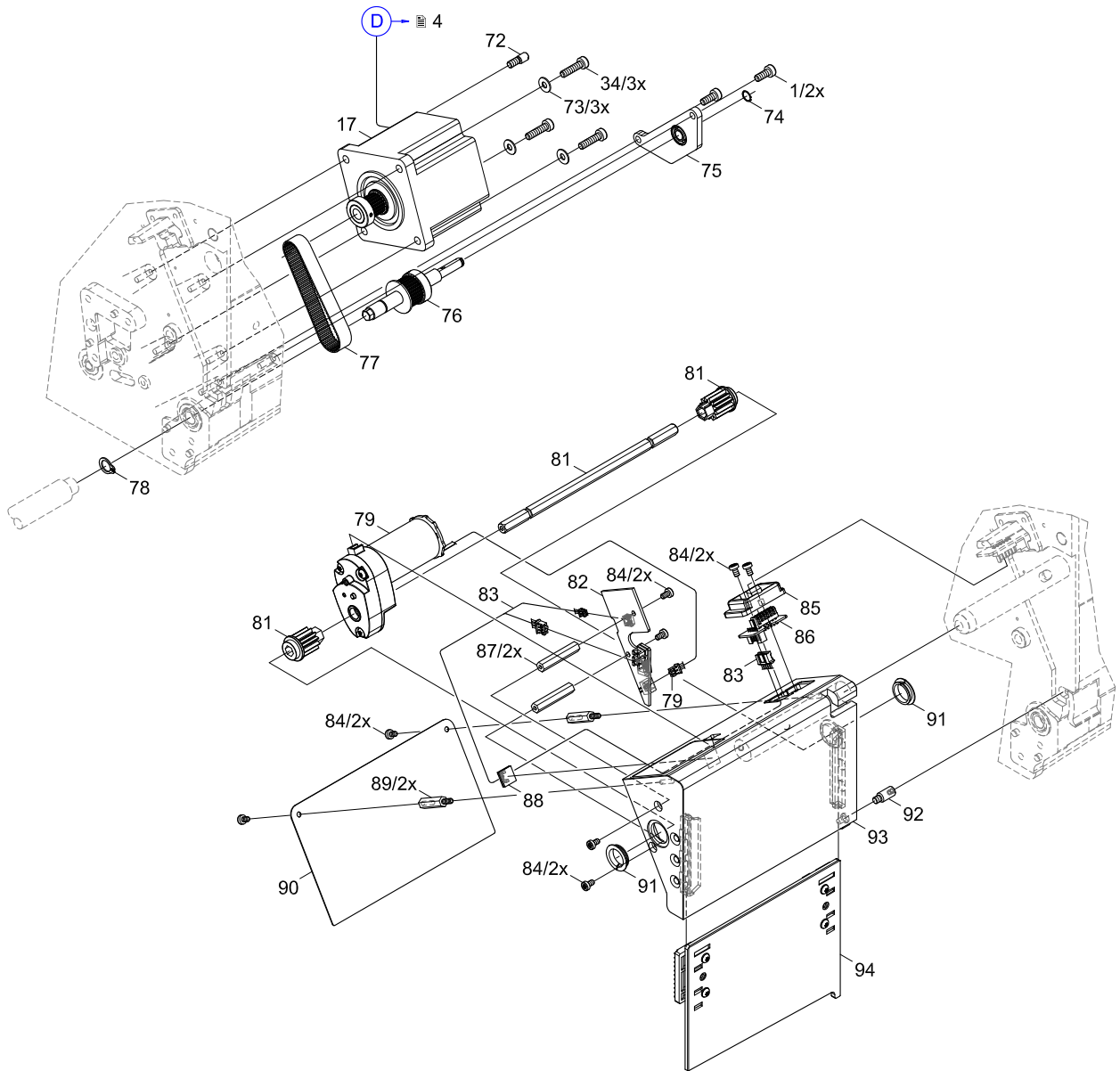
No.	Part No.	Description	PU	Notes	Serial No.	
					from	to
1	5902565.001	Screw DIN7984-M4x10	10			
25	5902867.001	Screw DIN7984-M3x8	10			
34	5902572.001	Screw DIN7984 M4x16	10			
51	5902817.001	Screw sim. ISO7380-M4x6	10			
54	6012191.001	Blind	1			
55	6012104.001	Bearing	1			
56	6012164.001	Spring	1			
57	6012163.001	Locking Hook	1			
58	6012072.001	Holder	1			
59	6012046.001	Cover	1			
60	6012044.001	Axle	1			

No.	Part No.	Description	PU	Notes	Serial No.	
					from	to
61	6012025.001	Drive Roller DRL4	1			
62	6012156.001	Profile	1			
63	5902953.001	Screw DIN7991-M3x10	10			
64	6012186.001	Bearing Plate	1			
65	6012190.001	Bearing Plate	1			
66	5905038.001	Spring	10			
67	6012187.001	Blade Carrier	1			
68	6012078.001	Cutter Bar	1			
69	5907975.001	Screw ISO14581-M3x4	10			
70	6012157.001	Side Plate	1			
71	6012188.001	Bearing	1			



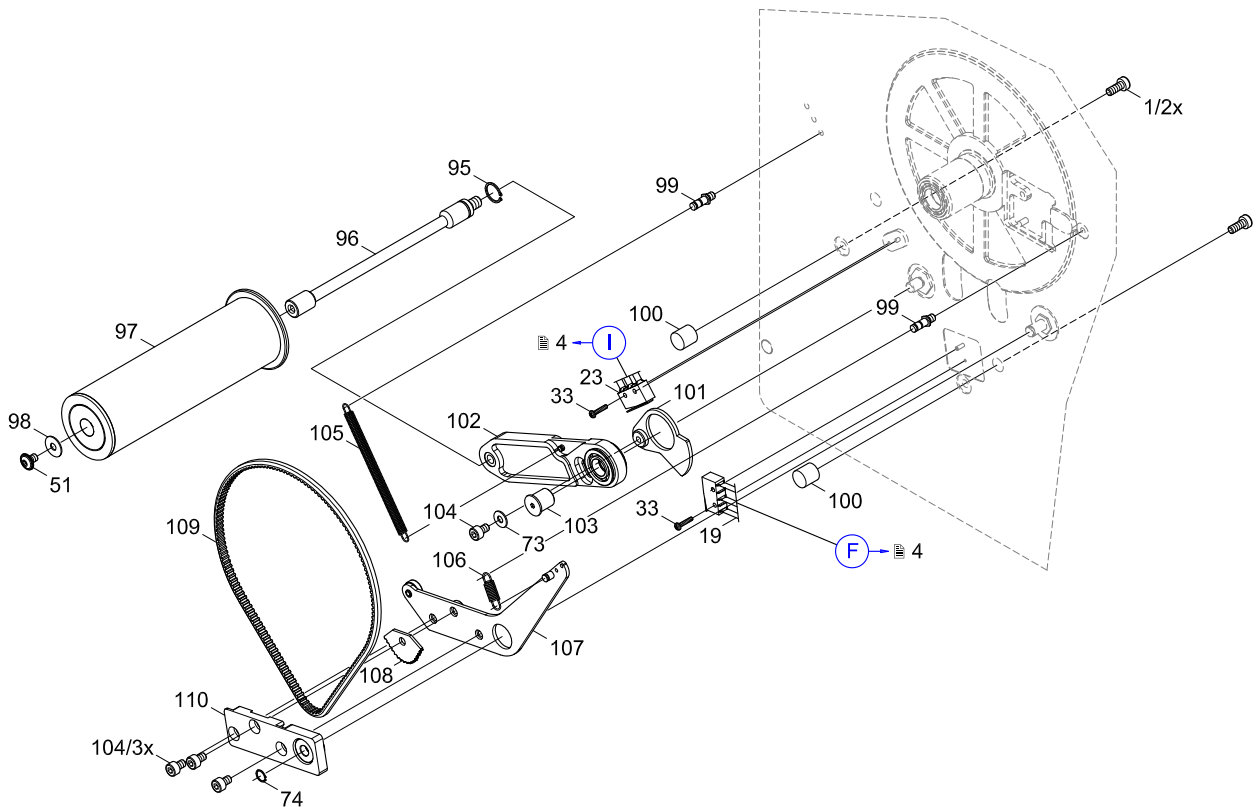
No.	Part No.	Description	PU	Notes	Serial No.	
					from	to
1	5902565.001	Screw DIN7984-M4x10	10			
17	5977350.001	Stepper Motor	1			
34	5902572.001	Screw DIN7984 M4x16	10			
72	5953788.001	Eccentric	1			
73	5903003.001	Washer DIN125-A4.3	10			
74	5903552.001	Snap Ring DIN471-6	10			
75	6010478.001	Bearing Plate	1			
76	6012136.001	Shaft	1			
77	5905720.001	Belt 80MXL 037	1			
78	5903516.001	Snap Ring DIN471-8x0.8	10			
79	5984564.001	Gear Motor	1			
80	5965501.001	Gear Wheel Z12	1			
81	6012063.001	Shaft	1			

No.	Part No.	Description	PU	Notes	Serial No.	
					from	to
82	5551544.001	PCB Cutter Electronics	1			
83	5555301.001	Cable Cutter	1			
84	5902896.001	Screw DIN7984-M3x5	10			
85	6012071.001	Contact Protection	1			
86	5551548.001	PCB Cutter Contacts	1			
87	5900083.001	Distance Bolt M3x30	1			
88	5901575.001	Cable Clamp	10			
89	5900546.001	Distance Bolt M3x20	10			
90	6012067.001	Cover	1			
91	5901026.001	Plastic Bushing	1			
92	6012065.001	Bolt	1			
93	6012091.001	Chassis	1			
94	6012096.001	Upper Blade	1			



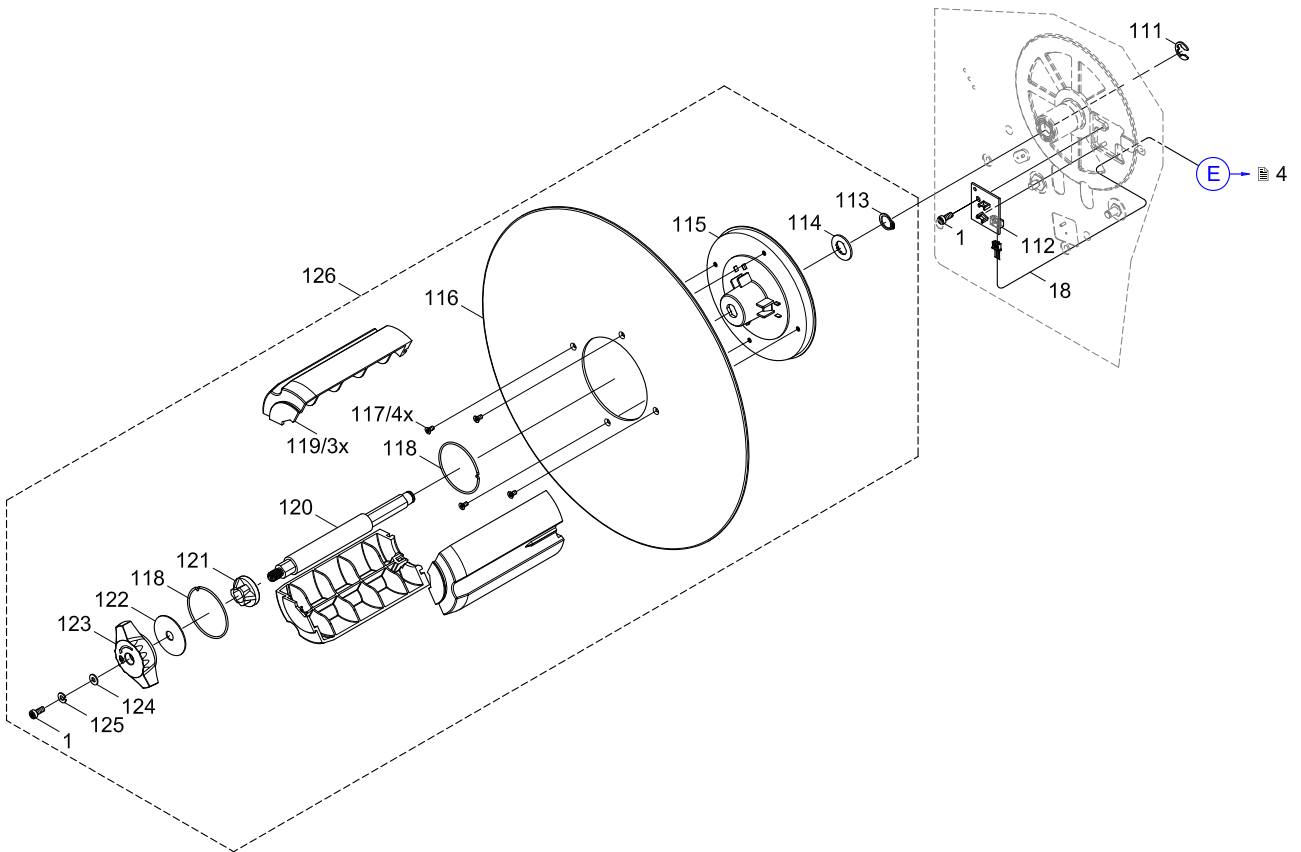
No.	Part No.	Description	PU	Notes	Serial No.	
					from	to
1	5902565.001	Screw DIN7984-M4x10	10			
19	6010421.001	Cable Switch	1			
23	6010380.001	Cable Switch	1			
33	5902457.001	Screw DIN7985-M2x10	10			
51	5902817.001	Screw sim. ISO7380-M4x6	10			
73	5903003.001	Washer DIN125-A4.3	10			
74	5903552.001	Snap Ring DIN471-6	10			
95	5903527.001	Snap Ring DIN471-10x1	10			
96	6010428.001	Axle	1			
97	6010536.001	Roller	1			
98	6010506.001	Washer	1			
99	5955665.001	Spring Bolt	1			

No.	Part No.	Description	PU	Notes	Serial No.	
					from	to
100	5905885.001	Stopper M4x10	1			
101	6012162.001	Pivot Arm	1			
102	6010071.001	Lever	1			
103	6010150.001	Bolt	1			
104	5902049.001	Screw DIN912-M4x6	10			
105	5906110.001	Spring	1			
106	5906191.001	Spring	1			
107	6010074.001	Brake Lever	1			
108	6010175.001	Insert	1			
109	5907572.001	Belt PU5M412	1			
110	6010174.001	Clamp	1			

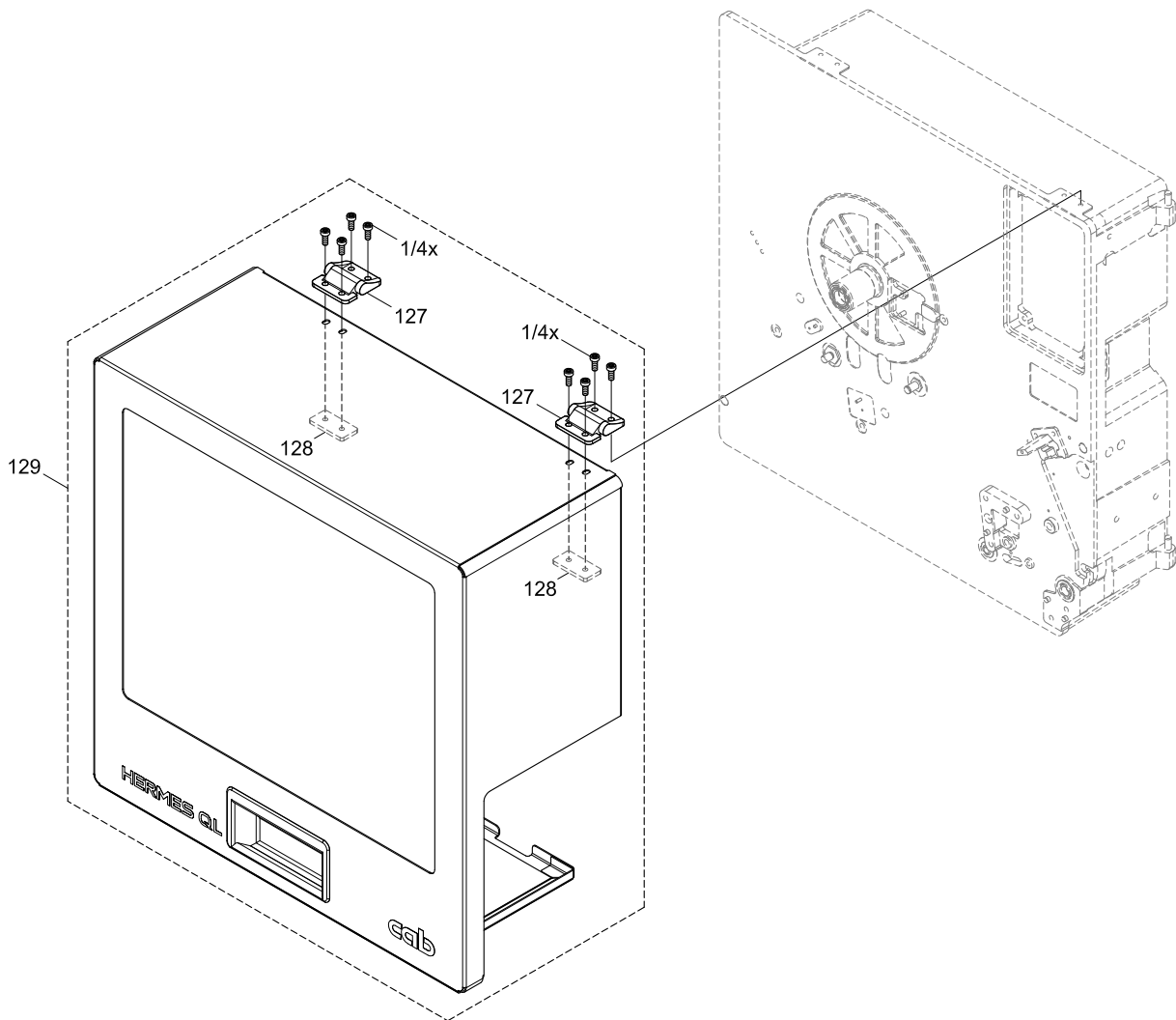


No.	Part No.	Description	PU	Notes	Serial No.	
					from	to
1	5902565.001	Screw DIN7984-M4x10	10			
18	6010516.001	Cable Winding Sensor	1			
111	5903549.001	E-Ring DIN6799-8	10			
112	5919425.001	PCB Winding Sensor	1			
113	5903517.001	Snap Ring DIN471-12x1	10			
114	6130332.001	Draw Plate	1			
115	6010588.001	Cone	1			
116	5958966.001	Wall Spacer	1			
117	5902839.001	Screw DIN7991-M3x6	10			

No.	Part No.	Description	PU	Notes	Serial No.	
					from	to
118	5958969.001	Snap Ring	1			
119	5958954.001	Shell	1			
120	6012106.001	Shaft	1			
121	5958955.001	Cone	1			
122	5961286.001	Washer	1			
123	5953822.001	Set Knob	1			
124	5903122.001	Washer DIN125-A4.3	10			
125	5903029.001	Lock Washer DIN127-B4	10			
126	6012105.001	Unwinder	1			



No.	Part No.	Description	PU	Notes	Serial No.	
					from	to
1	5902565.001	Screw DIN7984-M4x10	10			
127	5906956.001	Hinge	1			
128	5959732.001	Threaded Plate	1			
129	6012140.001	Cover	1			



Pos.	Figure/Page								No.	Part No.	Description	PU	SPR	Notes	Serial No.	
															from	to
1		4						11	5551162.001	Power Supply	1	C				
2		4						10	5551166.001	PCB CPU X4.3	1	B				
3		4						32	5551447.001	PCB I/O-Interface	1	C				
4		4						16	5551467.001	Cable I/O Interface	1	C				
5					7			82	5551544.001	PCB Cutter Electronics	1	C				
6					7			86	5551548.001	PCB Cutter Contacts	1	C				
7		4						27	5551552.001	PCB Splitter	1	C				
8	3	4						5	5555140.001	Cable Control Panel	1	-				
9	3	4						6	5555144.001	Cable USB	1	-				
10		4						26	5555281.001	Cable Periphery	1	-				
11		4						24	5555283.001	Cable 24 V	1	-				
12		4	5					22	5555287.001	Cable Sensor	1	-				
13					7			83	5555301.001	Cable Cutter	1	-				
14		4						21	5591100.001	Cable Printhead	1	-				
15					7			87	5900083.001	Distance Bolt M3x30	1	-				
16					7			89	5900546.001	Distance Bolt M3x20	10	-				
17					7			91	5901026.001	Plastic Bushing	1	-				
18			5					44	5901201.001	Spherical Bearing	1	-				
19	3							4	5901509.001	Cable Clamp	10	-				
20					7			88	5901575.001	Cable Clamp	10	-				
21	3							3	5901781.001	Cable Clamp	10	-				
22						8		104	5902049.001	Screw DIN912-M4x6	10	-				
23		4						28	5902141.001	Bolt A/M3 I/U4	10	-				
24	3							7	5902414.001	Screw EJOT-PT-K30x12	10	-				
25			5					47	5902425.001	Screw DIN912-M3x10	10	-				
26			5		8			33	5902457.001	Screw DIN7985-M2x10	10	-				
27	3		5	6	7	8	9	10	1	5902565.001	Screw DIN7984-M4x10	10	-			
28		4	5					9	5902571.001	Screw DIN7984-M4x6	10	-				
29			5	6	7			34	5902572.001	Screw DIN7984 M4x16	10	-				
30			5	6		8		51	5902817.001	Screw sim. ISO7380-M4x6	10	-				
31							9	117	5902839.001	Screw DIN7991-M3x6	10	-				
32		4		6				25	5902867.001	Screw DIN7984-M3x8	10	-				
33					7			84	5902896.001	Screw DIN7984-M3x5	10	-				
34				6				63	5902953.001	Screw DIN7991-M3x10	10	-				
35					7	8		73	5903003.001	Washer DIN125-A4.3	10	-				
36							9	125	5903029.001	Lock Washer DIN127-B4	10	-				
37			5					37	5903103.001	Washer DIN988-3x6x1.0	10	-				
38			5					46	5903106.001	Washer DIN988-6x12x1.0	10	-				
39							9	124	5903122.001	Washer DIN125-A4.3	10	-				
40					7			78	5903516.001	Snap Ring DIN471-8x0.8	10	-				
41							9	113	5903517.001	Snap Ring DIN471-12x1	10	-				
42						8		95	5903527.001	Snap Ring DIN471-10x1	10	-				
43							9	111	5903549.001	E-Ring DIN6799-8	10	-				
44					7	8		74	5903552.001	Snap Ring DIN471-6	10	-				
45				6				66	5905038.001	Spring	10	-				
46					7			77	5905720.001	Belt 80MXL 037	1	C				
47						8		100	5905885.001	Stopper M4x10	1	-				
48						8		105	5906110.001	Spring	1	-				
49		4						12	5906181.001	Protection Cap	10	-				
50		4						31	5906187.001	Protection Cap	1	-				
51		4						15	5906188.001	Protection Cap	1	-				
52		4						14	5906189.001	Protection Cap	10	-				
53		4						13	5906190.001	Protection Cap	10	-				
54						8		106	5906191.001	Spring	1	-				
55							10	127	5906956.001	Hinge	1	-				
56						8		109	5907572.001	Belt PU5M412	1	-				
57				6				69	5907975.001	Screw ISO14581-M3x4	10	-				
58							9	112	5919425.001	PCB Winding Sensor	1	C				
59			5					53	5946113.001	Allen Key	1	-				
60					7			72	5953788.001	Eccentric	1	-				

PU Package unit

200 HERMES QL4.3R/200
300 HERMES QL4.3R/300

SPR Spare part recommendation

A wearing parts and accessories
B recommended spare parts for quick repair
C recommended spare parts for distributors
D recommended spare parts for central stores

Pos.	Figure/Page							No.	Part No.	Description	PU	SPR	Notes	Serial No.	
														from	to
61						9		123	5953822.001	Set Knob	1	-			
62					8			99	5955665.001	Spring Bolt	1	-			
63		5						35	5956188.001	Screw	1	-			
64						9		119	5958954.001	Shell	1	-			
65						9		121	5958955.001	Cone	1	-			
66						9		116	5958966.001	Wall Spacer	1	-			
67						9		118	5958969.001	Snap Ring	1	B			
68							10	128	5959732.001	Threaded Plate	1	-			
69						9		122	5961286.001	Washer	1	-			
70				7				80	5965501.001	Gear Wheel Z12	1	D			
71	4							20	5977326.001	Cable Power Supply	1	-			
72		5						40	5977336.001	Spring	1	-			
73	4		7					17	5977350.001	Stepper Motor	1	-			
74		5						49.1	5977382.001	Printhead 4.3/200	1	A	200		
75		5						49.2	5977383.001	Printhead 4.3/300	1	A	300		
76		5						52	5977459.001	Lever	1	-			
77	4							30	5977576.001	Cover	1	-			
78		5						38	5977591.001	Clamp	1	-			
79			7					79	5984564.001	Gear Motor	1	C			
80	3							8	6010055.001	Control Panel	1	C			
81					8			102	6010071.001	Lever	1	-			
82					8			107	6010074.001	Brake Lever	1	-			
83					8			103	6010150.001	Bolt	1	-			
84					8			110	6010174.001	Clamp	1	-			
85					8			108	6010175.001	Insert	1	-			
86	4							29	6010176.001	Blind	1	-			
87		5						36	6010198.001	Switch Lever	1	-			
88	4				8			23	6010380.001	Cable Switch	1	D			
89	4				8			19	6010421.001	Cable Switch	1	-			
90					8			96	6010428.001	Axle	1	-			
91				7				75	6010478.001	Bearing Plate	1	-			
92	3							2	6010494.001	Cover	1	-			
93					8			98	6010506.001	Washer	1	-			
94	4					9		18	6010516.001	Cable Winding Sensor	1	-			
95					8			97	6010536.001	Roller	1	-			
96						9		115	6010588.001	Cone	1	-			
97		5						45	6010844.001	Printhead Locking System	1	-			
98		6						61	6012025.001	Drive Roller DRL4	1	A			
99		6						60	6012044.001	Axle	1	-			
100		6						59	6012046.001	Cover	1	-			
101				7				81	6012063.001	Shaft	1	-			
102				7				92	6012065.001	Bolt	1	-			
103				7				90	6012067.001	Cover	1	-			
104				7				85	6012071.001	Contact Protection	1	-			
105		6						58	6012072.001	Holder	1	-			
106		6						68	6012078.001	Cutter Bar	1	A			
107				7				93	6012091.001	Chassis	1	-			
108				7				94	6012096.001	Upper Blade	1	A			
109		6						55	6012104.001	Bearing	1	-			
110						9		126	6012105.001	Unwinder	1	-			
111						9		120	6012106.001	Shaft	1	-			
112		5						43	6012123.001	Eccentric	1	-			
113		5						42	6012125.001	Adjusting Plate	1	-			
114		5						41	6012127.001	Roller	1	-			
115				7				76	6012136.001	Shaft	1	-			
116							10	129	6012140.001	Cover	1	-			
117		5						48	6012154.001	Printhead Mounting Bracket	1	-			
118			6					62	6012156.001	Profile	1	-			
119			6					70	6012157.001	Side Plate	1	-			
120		5						50	6012159.001	Side Plate	1	-			

PU Package unit

SPR Spare part recommendation

200 HERMES QL4.3R/200

300 HERMES QL4.3R/300

A wearing parts and accessories

B recommended spare parts for quick repair

C recommended spare parts for distributors

D recommended spare parts for central stores

9 Spare Parts Register

13

Pos.	Figure/Page							No.	Part No.	Description	PU	SPR	Notes	Serial No.	
	from	to	from	to											
121						8		101	6012162.001	Pivot Arm	1	-			
122			6					57	6012163.001	Locking Hook	1	-			
123			6					56	6012164.001	Spring	1	-			
124			5					39	6012176.001	Profile	1	-			
125			6					64	6012186.001	Bearing Plate	1	-			
126			6					67	6012187.001	Blade Carrier	1	-			
127			6					71	6012188.001	Bearing	1	-			
128			6					65	6012190.001	Bearing Plate	1	-			
129			6					54	6012191.001	Blind	1	-			
130						9		114	6130332.001	Draw Plate	1	-			

10 Packaging/Accessories

Pos.	Figure/Page							No.	Part No.	Description	PU	SPR	Notes	Serial No.	
	from	to	from	to											
131								-	5550611.001	Power Cable Type E+F	1	-			
132								-	5901655.001	Cable USB	1	-			
133								-	9104240.001	Packaging	1	D			

PU Package unit

200 HERMES QL4.3R/200
300 HERMES QL4.3R/300

SPR Spare part recommendation

A wearing parts and accessories
B recommended spare parts for quick repair
C recommended spare parts for distributors
D recommended spare parts for central stores