

## Spare Parts List



Applicator

# SQ 3200

## 2 Spare parts list for the following products

2

Family	
Applikator	SQ 3200

Edition: 07/2024 - Part.-No. 9004088

## Contents

1	Chassis, Control unit .....	3
2	Pneumatics .....	4
3	Electronics .....	5
4	Turn cylinder assembly.....	6
5	Lift cylinder assembly.....	7
6	Spare Parts Index .....	8
7	Packaging.....	9

### Copyright

This documentation as well as translation hereof are property of cab Produkttechnik GmbH & Co. KG. The replication, conversion, duplication or divulgement of the whole manual or parts of it for other intentions than its original intended purpose - in particular the procurement of spare parts for products sold by cab – demand the previous written authorisation by cab.

### Editor

Regarding questions or comments please contact cab Produkttechnik GmbH & Co. KG.

### Topicality

Due to the constant further development of our products discrepancies between documentation and product can occur. Please check [www.cab.de](http://www.cab.de) for the latest update.

### Terms and conditions

Deliveries and performances are effected under the "General conditions of sale of cab.

---

Germany  
**cab Produkttechnik GmbH & Co KG**  
Karlsruhe  
Phone +49 721 6626 0  
[www.cab.de](http://www.cab.de)

USA  
**cab Technology, Inc.**  
Chelmsford, MA  
Phone +1 978 250 8321  
[www.cab.de/us](http://www.cab.de/us)

Taiwan  
**cab Technology Co., Ltd.**  
Taipei  
Phone +886 (02) 8227 3966  
[www.cab.de/tw](http://www.cab.de/tw)

Singapore  
**cab Singapore Pte. Ltd.**  
Singapore  
Phone +65 6931 9099  
[www.cab.de/en](http://www.cab.de/en)

France  
**cab Technologies S.à.r.l.**  
Niedermodern  
Phone +33 388 722501  
[www.cab.de/fr](http://www.cab.de/fr)

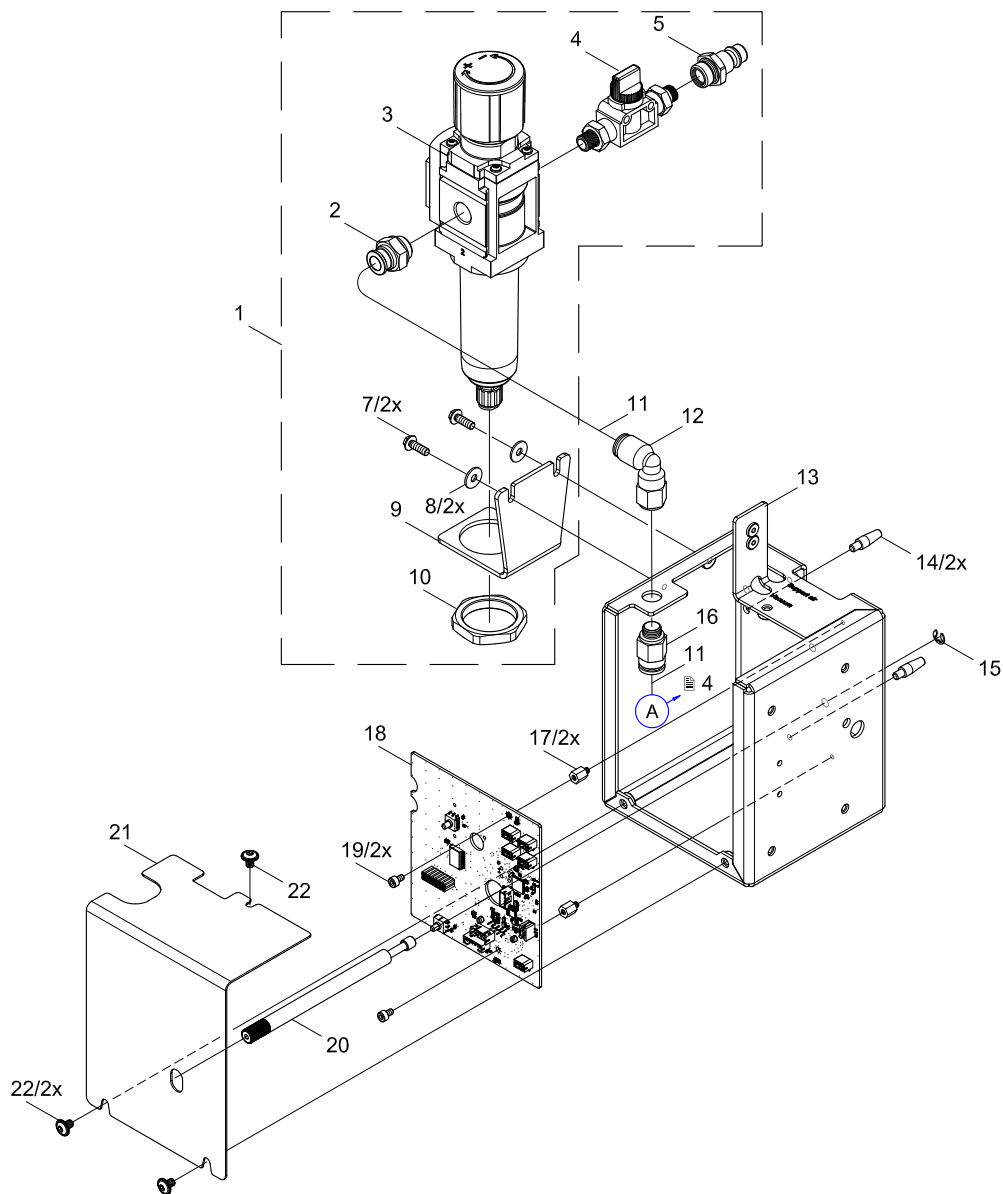
Mexico  
**cab Technology, Inc.**  
Juárez  
Phone +52 656 682 4301  
[www.cab.de/es](http://www.cab.de/es)

China  
**cab (Shanghai) Trading Co., Ltd.**  
Shanghai  
Phone +86 (021) 6236 3161  
[www.cab.de/cn](http://www.cab.de/cn)

South Africa  
**cab Technology (Pty) Ltd.**  
Randburg  
Phone +27 11 886 3580  
[www.cab.de/za](http://www.cab.de/za)

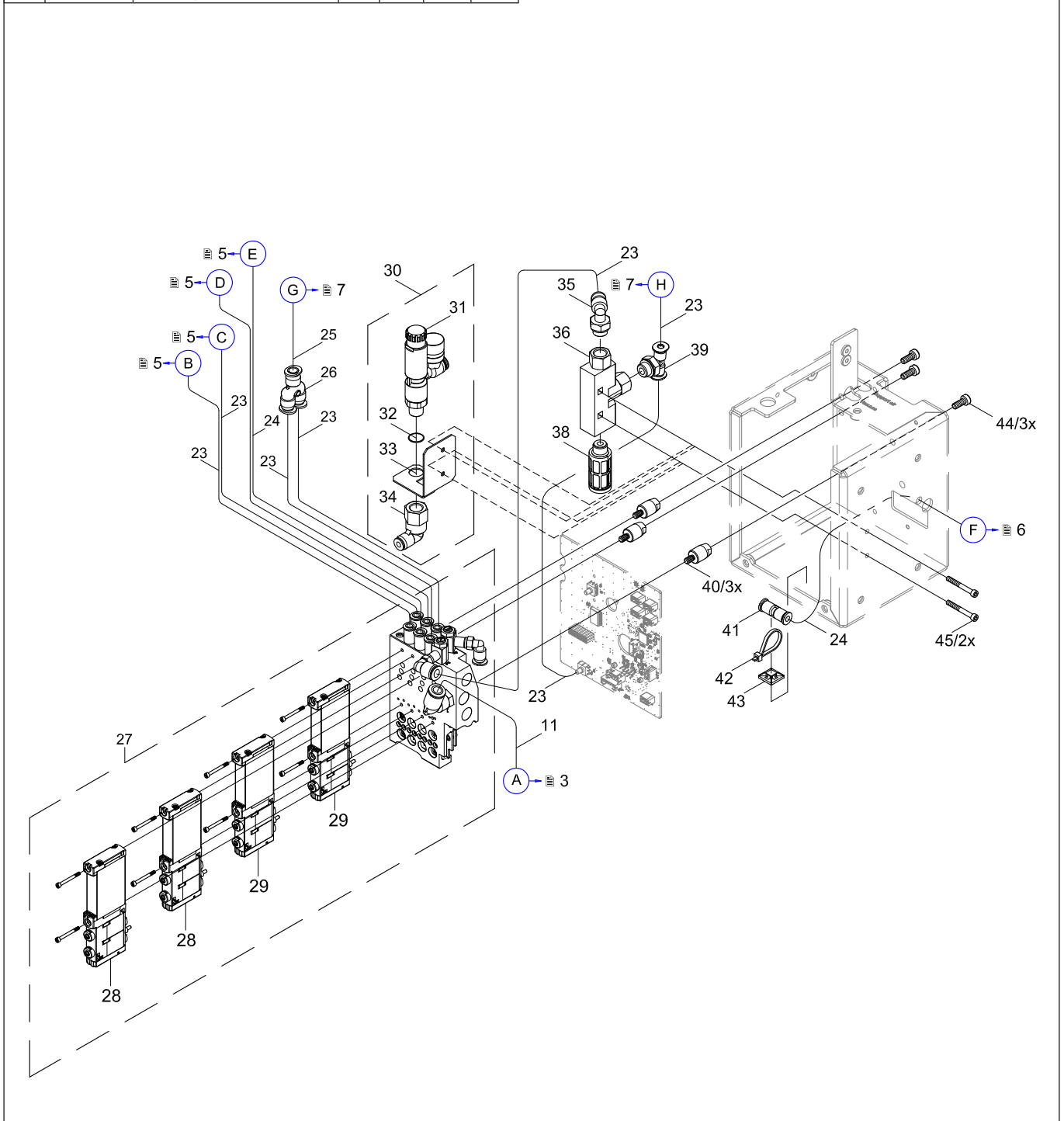
No	Part No.	Description	PU	Note	Serial No.	
					from	to
1	5987649.001	Service Unit	1			
2	5907923.001	Push-In Fitting	1			
3	5907911.001	Filter Regulator	1			
4	5907338.001	Block Valve	1			
5	5907337.001	Coupling Plug	1			
7	5965070.001	Screw M4x12	10			
8	5903005.001	Washer DIN9021-4.3	10			
9	5987648.001	Bracket	1			
10	5907920.001	Nut	1			
11	5966465.001	Tube Ø8	2m			
12	5905285.001	Push-in L-Connector	1			

No	Part No.	Description	PU	Note	Serial No.	
					from	to
13	5978948.001	Frame	1			
14	5949144.001	Center Pin	1			
15	5903525.001	E-Ring DIN 6799-4	10			
16	5905667.001	Push-in/threaded Fitting	1			
17	5949058.001	Distance Bolt M3x7.5	1			
18	5550268.001	PCB Applicator Control	1			
19	5902007.001	Screw DIN912-M3x6	10			
20	5978945.001	Knurled Screw	1			
21	5978950.001	Cover	1			
22	5902817.001	Screw sim. ISO7380-M4x6	10			

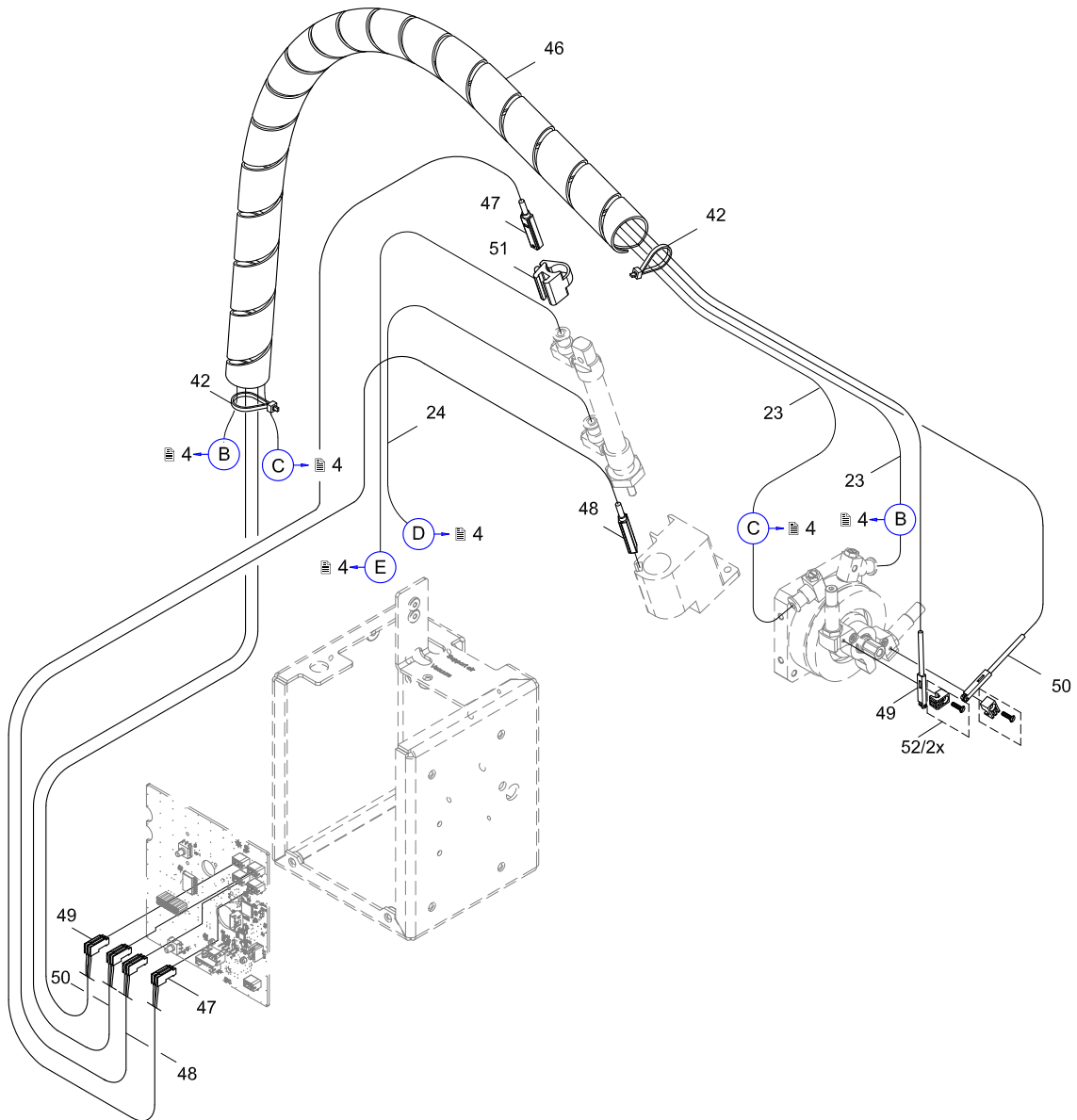


No	Part No.	Description	PU	Note	Serial No.	
					from	to
11	5966465.001	Tube Ø8	2m			
23	5966460.001	Tube Ø4	2m			
24	5966466.001	Tube Ø4	2m			
25	5966461.001	Tube Ø6	2m			
26	5905972.001	Push-in Y-Fitting	1			
27	5976156.001	Valve Block	1			
28	5907428.001	Magnetic Valve	1			
29	5907429.001	Magnetic Valve	1			
30	5977887.001	Pressure Red. Valve Ass.	1			
31	5907842.001	Pressure Reduce Valve	1			
32	5905261.001	Sealing Ring	10			
33	5977886.001	Mounting Plate	1			

No	Part No.	Description	PU	Note	Serial No.	
					from	to
34	5906966.001	Push-in L-Connector	1			
35	5906914.001	Push-in L-Connector	1			
36	5906844.001	Vacuum Generator	1			
38	5905257.001	Silencer	1			
39	5906915.001	Push-in T-Connector	1			
40	5949469.001	Distance Bolt	1			
41	5905603.001	Push-in Fitting	1			
42	5901505.001	Cable Clamp L=102	10			
43	5905124.001	Adhesive Plate 12.7x12.7	10			
44	5902565.001	Screw DIN7984-M4x10	10			
45	5902860.001	Screw DIN7984-M3x20	10			

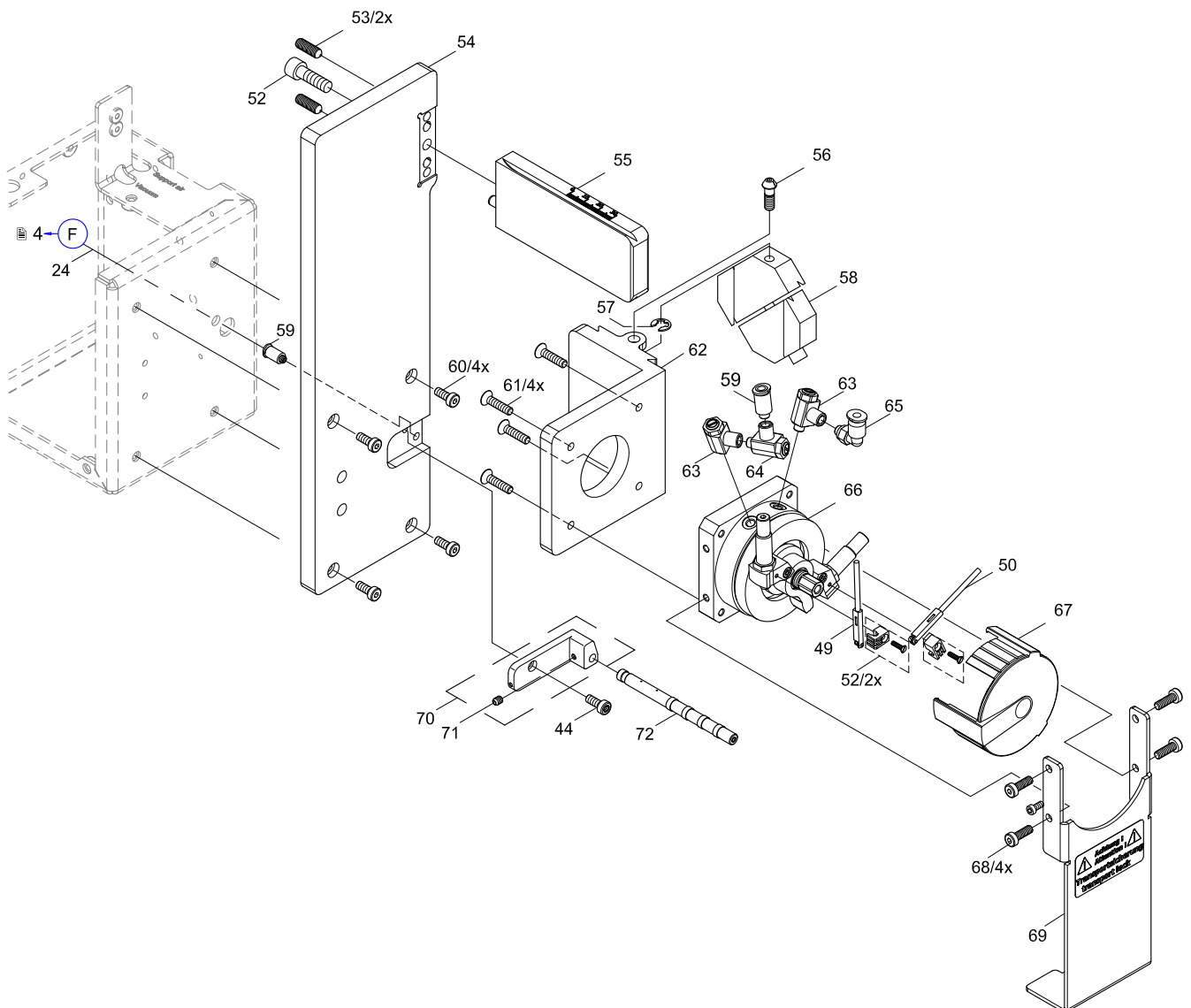


No	Part No.	Description	PU	Note	Serial No.	
					from	to
23	5966460.001	Tube Ø4	2m			
24	5966466.001	Tube Ø4	2m			
42	5901505.001	Cable Clamp L=102	10			
46	5966584.001	Spiral Tube	1			
47	5979017.001	Sensor	1			
48	5979016.001	Sensor	1			
49	5979018.001	Sensor	1			
50	5979019.001	Sensor	1			
51	5906646.001	Mounting Clip	1			
52	5907061.001	Sensor Retainer	1			



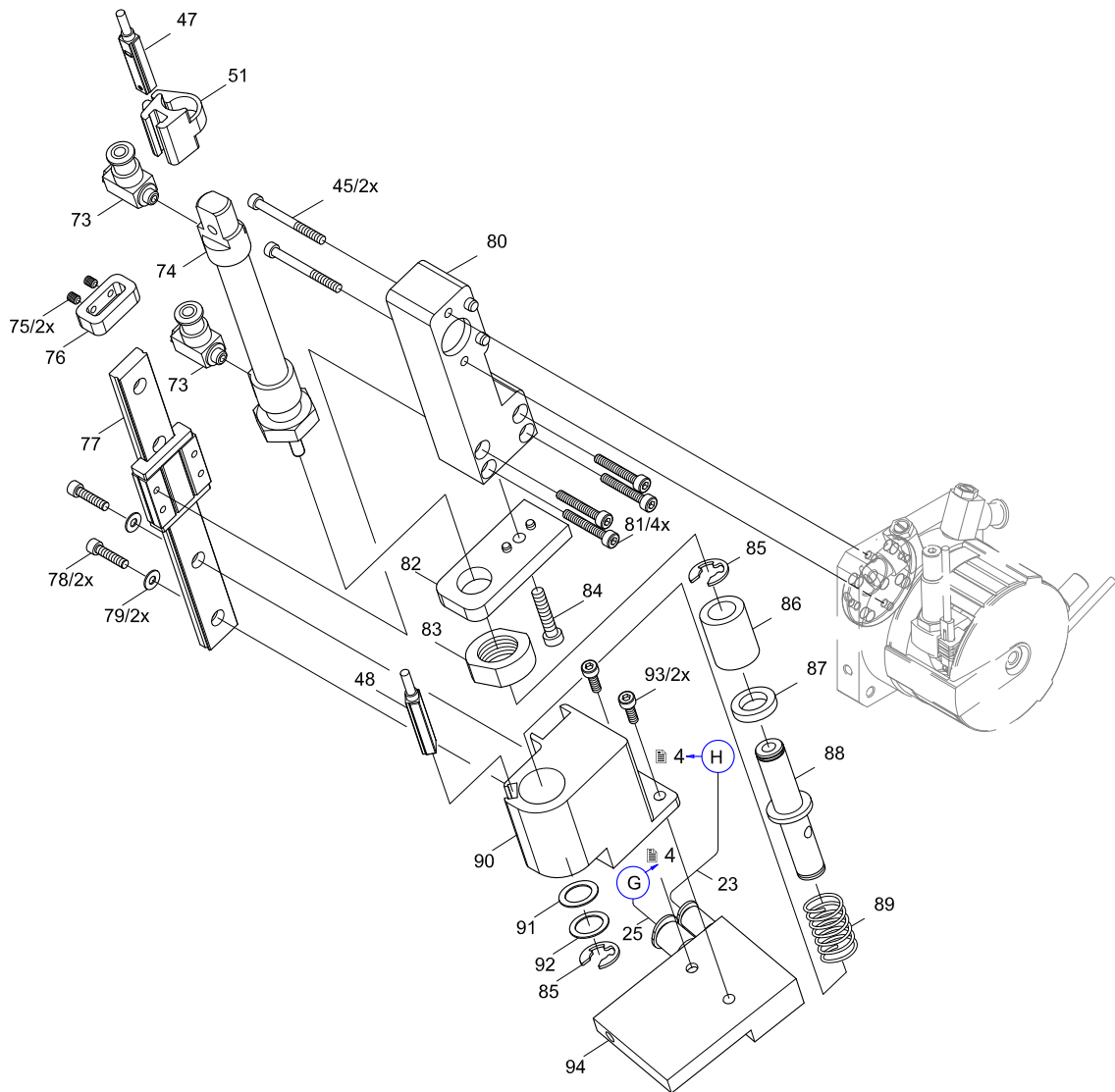
No	Part No.	Description	PU	Note	Serial No.	
					from	to
24	5966466.001	Tube Ø4	2m			
44	5902565.001	Screw DIN7984-M4x10	10			
49	5979018.001	Sensor	1			
50	5979019.001	Sensor	1			
52	5907061.001	Sensor Retainer	1			
52	5902124.001	Screw DIN912-M6x16	10			
53	5904568.001	Set Screw DIN916-M5x12	10			
54	5976038.001	Mounting Plate	1			
55	5976045.001	Crossbeam	1			
56	5964061.001	Set Screw	1			
57	5903505.001	E-Ring DIN6799-5	10			
58	5964062.001	Binder	1			
59	5905283.001	Push-in/threaded Fitting	1			

No	Part No.	Description	PU	Note	Serial No.	
					from	to
60	5902241.001	Screw DIN7984-M4x10	10			
61	5902143.001	Screw DIN7991-M4x16	10			
62	5976043.001	Adjusting Bracket	1			
63	5905249.001	One-way Flow Control Valve	1			
65	5905255.001	Push-in L-Connector	1			
66	5966923.001	Swing Drive	1			
67	5907066.001	Cover	1			
68	5902358.001	Screw DIN7984-M4x6	10			
69	5971533.001	Transport Lock	1			
70	5949145.001	Blow Tube Retainer	1			
71	5904518.001	Set Screw DIN916-M5x5	10			
72	5949101.001	Blow Tube	1			



No	Part No.	Description	PU	Note	Serial No.	
					from	to
23	5966460.001	Tube Ø4	2m		1	
25	5966461.001	Tube Ø6	2m		2	
45	5902860.001	Screw DIN7984-M3x20	10		3	
47	5979017.001	Sensor	1		4	
48	5979016.001	Sensor	1		5	
51	5906646.001	Mounting Clip	1		6	
73	5906636.001	One-way Flow Control Valve	1		7	
74	5906645.001	Cylinder	1		8	
75	5904528.001	Set Screw DIN913-M3x4	10		9	
76	5966918.001	Stopper	1		10	
77	5917932.001	Guide Rail	1		11	
78	5902010.001	Screw DIN912-M3x10	10		12	
79	5903004.001	Washer DIN125-A3.2	10		13	

No	Part No.	Description	PU	Note	Serial No.	
					from	to
80	5966924.001	Pivot Arm	1		14	
81	5902011.001	Screw DIN912-M3x20	10		15	
82	5966538.001	Retainer	1		16	
83	5521159.001	Nut	1		17	
84	5902562.001	Screw DIN7984 M4x14	10		18	
85	5903501.001	E-Ring DIN6799-7	10		19	
86	5941808.001	Bushing	1		20	
87	5905602.001	Ring Magnet	1		21	
88	5949191.001	Adapter Bolt	1		22	
89	5905096.001	Spring	5		23	
90	5966534.001	Tamp Retainer	1		24	
93	5902489.001	Screw DIN7984-M4x8	10		25	
94		Tamp , customized			26	



Pos.	Figure/Page				No.	Part No.	Description	PU	SPR	Notes	Serial No.	
											from	to
1				7	83	5521159.001	Nut	1	-			
2	3				18	5550268.001	PCB Applicator Control	1	C			
3		4	5		42	5901505.001	Cable Clamp L=102	10	-			
4	3				19	5902007.001	Screw DIN912-M3x6	10	-			
5				7	78	5902010.001	Screw DIN912-M3x10	10	-			
6				7	81	5902011.001	Screw DIN912-M3x20	10	-			
7				6	52	5902124.001	Screw DIN912-M6x16	10	-			
8				6	61	5902143.001	Screw DIN7991-M4x16	10	-			
9				6	60	5902241.001	Screw DIN7984-M4x10	10	-			
10				6	68	5902358.001	Screw DIN7984-M4x6	10	-			
11				7	93	5902489.001	Screw DIN7984-M4x8	10	-			
12				7	84	5902562.001	Screw DIN7984 M4x14	10	-			
13		4		6	44	5902565.001	Screw DIN7984-M4x10	10	-			
14	3				22	5902817.001	Screw sim. ISO7380-M4x6	10	-			
15		4		7	45	5902860.001	Screw DIN7984-M3x20	10	-			
16				7	79	5903004.001	Washer DIN125-A3.2	10	-			
17	3				8	5903005.001	Washer DIN9021-4.3	10	-			
18				7	85	5903501.001	E-Ring DIN6799-7	10	-			
19				6	57	5903505.001	E-Ring DIN6799-5	10	-			
20	3				15	5903525.001	E-Ring DIN 6799-4	10	-			
21				6	71	5904518.001	Set Screw DIN916-M5x5	10	-			
22				7	75	5904528.001	Set Screw DIN913-M3x4	10	-			
23				6	53	5904568.001	Set Screw DIN916-M5x12	10	-			
24				7	89	5905096.001	Spring	5	-			
25		4			43	5905124.001	Adhesive Plate 12.7x12.7	10	C			
26				6	63	5905249.001	One-way Flow Control Valve	1	A			
27				6	65	5905255.001	Push-in L-Connector	1	-			
28		4			38	5905257.001	Silencer	1	A			
29		4			32	5905261.001	Sealing Ring	10	-			
30				6	59	5905283.001	Push-in/threaded Fitting	1	-			
31	3				12	5905285.001	Push-in L-Connector	1	-			
32				7	87	5905602.001	Ring Magnet	1	-			
33		4			41	5905603.001	Push-in Fitting	1	-			
34	3				16	5905667.001	Push-in/threaded Fitting	1	-			
35		4			26	5905972.001	Push-in Y-Fitting	1	-			
36				7	73	5906636.001	One-way Flow Control Valve	1	A			
37				7	74	5906645.001	Cylinder	1	C			
38			5	7	51	5906646.001	Mounting Clip	1	-			
39		4			36	5906844.001	Vacuum Generator	1	-			
40		4			35	5906914.001	Push-in L-Connector	1	-			
41		4			39	5906915.001	Push-in T-Connector	1	-			
42		4			34	5906966.001	Push-in L-Connector	1	-			
43			5	6	52	5907061.001	Sensor Retainer	1	-			
44				6	67	5907066.001	Cover	1	-			
45	3				5	5907337.001	Coupling Plug	1	-			
46	3				4	5907338.001	Block Valve	1	C			
47		4			28	5907428.001	Magnetic Valve	1	B			
48		4			29	5907429.001	Magnetic Valve	1	B			
49		4			31	5907842.001	Pressure Reduce Valve	1	-			
50	3				3	5907911.001	Filter Regulator	1	-			
51	3				10	5907920.001	Nut	1	-			
52	3				2	5907923.001	Push-In Fitting	1	-			
53				7	77	5917932.001	Guide Rail	1	-			
54				7	86	5941808.001	Bushing	1	-			
55	3				17	5949058.001	Distance Bolt M3x7.5	1	-			
56				6	72	5949101.001	Blow Tube	1	-			

PU Package unit

Notes

SPR Recommendation

A - wearing parts and accessories

B - recommended spare parts for quick repair

C - recommended spare parts for distributors

D - recommended spare parts for central stores

The letter mentioned includes the recommendations for the following classifications in the alphabet. For example, B includes the recommendations for C and D.



## 6 Spare Parts Index

9

Pos.	Figure/Page					No.	Part No.	Description	PU	SPR	Notes	Serial No.	
												from	to
57	3					14	5949144.001	Center Pin	1	-			
58				6		70	5949145.001	Blow Tube Retainer	1	-			
59					7	88	5949191.001	Adapter Bolt	1	-			
60		4				40	5949469.001	Distance Bolt	1	-			
61				6		56	5964061.001	Set Screw	1	-			
62				6		58	5964062.001	Binder	1	-			
63	3					7	5965070.001	Screw M4x12	10	-			
64		4	5		7	23	5966460.001	Tube Ø4	2m	B			
65		4			7	25	5966461.001	Tube Ø6	2m	B			
66	3	4				11	5966465.001	Tube Ø8	2m	B			
67		4	5	6		24	5966466.001	Tube Ø4	2m	B			
68					7	90	5966534.001	Tamp Retainer	1	-			
69					7	82	5966538.001	Retainer	1	-			
70			5			46	5966584.001	Spiral Tube	1	-			
71					7	76	5966918.001	Stopper	1	-			
72				6		66	5966923.001	Swing Drive	1	-			
73					7	80	5966924.001	Pivot Arm	1	-			
74				6		69	5971533.001	Transport Lock	1	-			
75				6		54	5976038.001	Mounting Plate	1	-			
76				6		62	5976043.001	Adjusting Bracket	1	-			
77				6		55	5976045.001	Crossbeam	1	-			
78		4				27	5976156.001	Valve Block	1	-			
79		4				33	5977886.001	Mounting Plate	1	-			
80		4				30	5977887.001	Pressure Reduce Valve Assembly	1	-			
81	3					20	5978945.001	Knurled Screw	1	-			
82	3					13	5978948.001	Frame	1	-			
83	3					21	5978950.001	Cover	1	-			
84			5		7	48	5979016.001	Sensor	1	C			
85			5		7	47	5979017.001	Sensor	1	C			
86			5	6		49	5979018.001	Sensor	1	C			
87			5	6		50	5979019.001	Sensor	1	C			
88	3					9	5987648.001	Bracket	1	-			
89	3					1	5987649.001	Service Unit	1	-			
90					7	94		Tamp, customized	1	-			

## 7 Packaging

Pos.	Figure/Page					No.	Part No.	Description	PU	SPR	Notes	Serial No.	
												from	to
91							9109176.001	Packaging	1	-			

PU Package unit

Notes

SPR Recommendation

A - wearing parts and accessories

B - recommended spare parts for quick repair

C - recommended spare parts for distributors

D - recommended spare parts for central stores

The letter mentioned includes the recommendations for the following classifications in the alphabet. For example, B includes the recommendations for C and D.