

Spare Parts List



Applicator

SQ 1000

for the following products

Family	Type
SQUIX Applicators	SQ 1000-220
	SQ 1000-300
	SQ 1000-400
	SQ 1000-520

Contents

1	Chassis, PCBs, Service Unit	3
2	Valve Terminal, Vacuum Generator	4
3	Energy Track.....	5
4	Cylinder Assembly	6
5	Universal Pads.....	7
6	Spare Parts Register	8
7	Packaging.....	10

Edition: 09/2024 - Part No. 9004033

Copyright

This documentation as well as translation hereof are property of cab Produkttechnik GmbH & Co. KG. The replication, conversion, duplication or divulgement of the whole manual or parts of it for other intentions than its original intended purpose - in particular the procurement of spare parts for products sold by cab – demand the previous written authorisation by cab.

Editor

Regarding questions or comments please contact cab Produkttechnik GmbH & Co. KG.

Topicality

Due to the constant further development of our products discrepancies between documentation and product can occur. Please check www.cab.de for the latest update.

Terms and conditions

Deliveries and performances are effected under the "General conditions of sale of cab"

Germany
cab Produkttechnik GmbH & Co KG
 Karlsruhe
 Phone +49 721 6626 0
www.cab.de

USA
cab Technology, Inc.
 Chelmsford, MA
 Phone +1 978 250 8321
www.cab.de/us

Taiwan
cab Technology Co., Ltd.
 Taipei
 Phone +886 (02) 8227 3966
www.cab.de/tw

Singapore
cab Singapore Pte. Ltd.
 Singapore
 Phone +65 6931 9099
www.cab.de/en

France
cab Technologies S.à.r.l.
 Niedermodern
 Phone +33 388 722501
www.cab.de/fr

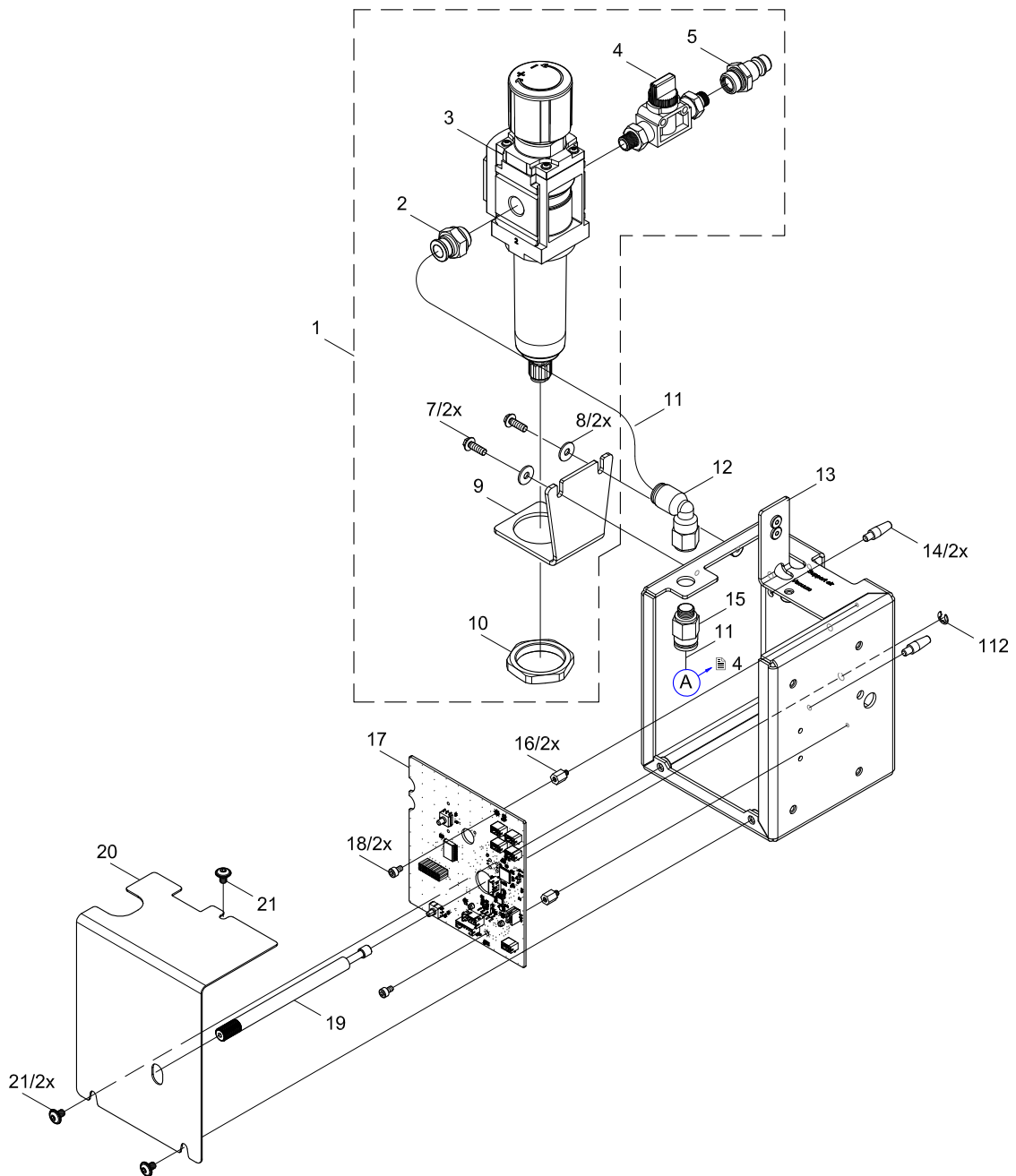
Mexico
cab Technology, Inc.
 Juárez
 Phone +52 656 682 4301
www.cab.de/es

China
cab (Shanghai) Trading Co., Ltd.
 Shanghai
 Phone +86 (021) 6236 3161
www.cab.de/cn

South Africa
cab Technology (Pty) Ltd.
 Randburg
 Phone +27 11 886 3580
www.cab.de/za

No	Part No.	Description	PU	Note	Serial No.	
					from	to
1	5987649.001	Service Unit	1			
2	5907923.001	Push-In Fitting	1			
3	5907911.001	Filter Regulator	1			
4	5907338.001	Block Valve	1			
5	5907337.001	Coupling Plug	1			
7	5965070.001	Screw M4x12	10			
8	5903005.001	Washer DIN9021-4.3	10			
9	5987648.001	Bracket	1			
10	5907920.001	Nut	1			
11	5966465.001	Tube Ø8	2m			
12	5905285.001	Push-in L-Connector	1			
13	5978948.001	Frame	1			

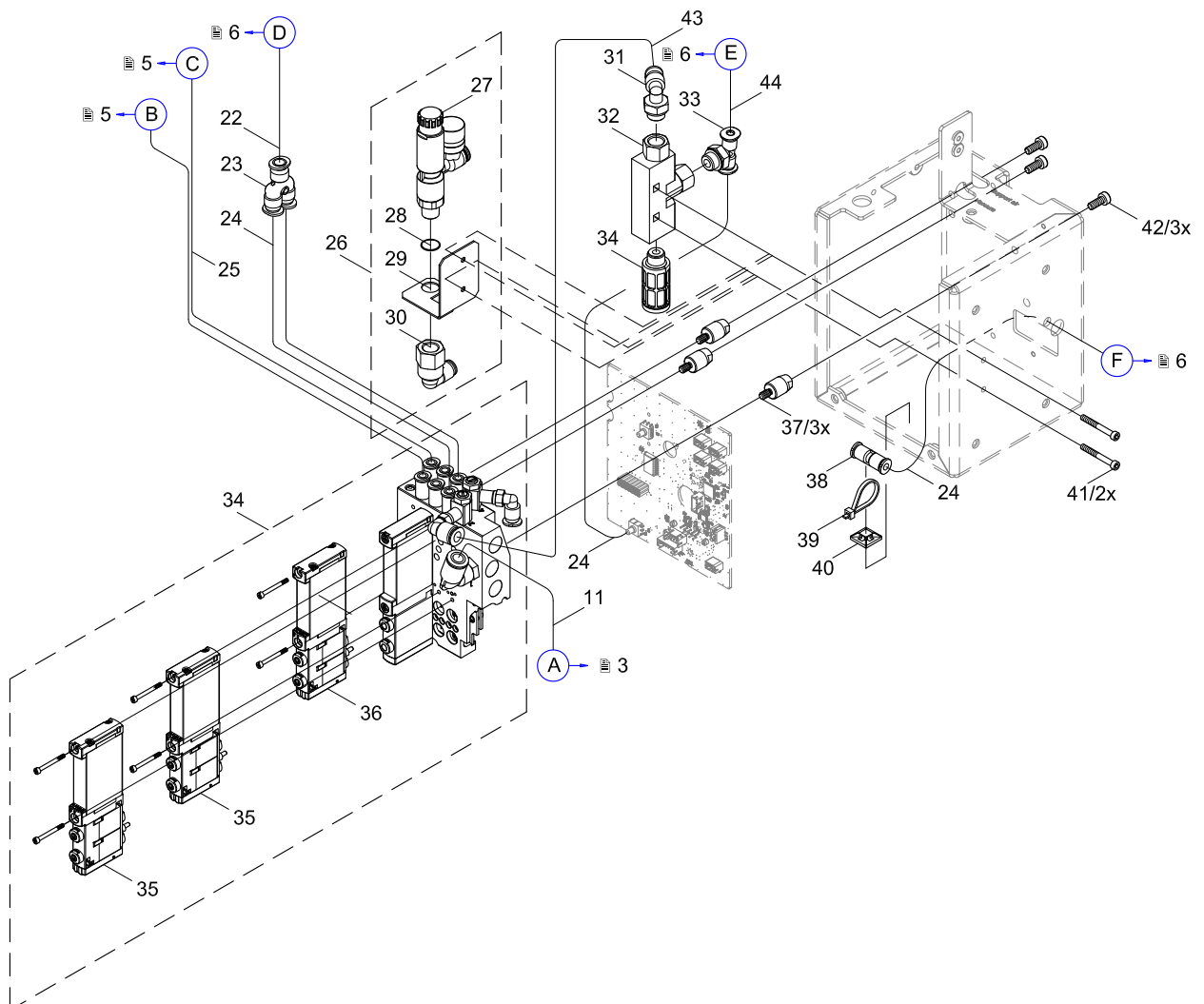
No	Part No.	Description	PU	Note	Serial No.	
					from	to
14	5949144.001	Center Pin	1			
15	5905667.001	Push-in/threaded Fitting	1			
16	5949058.001	Distance Bolt M3x7.5	1			
17	5550268.001	PCB Applikator Control	1			
18	5902007.001	Screw DIN912-M3x6	10			
19	5978945.001	Knurled Screw	1			
20	5978950.001	Cover	1			
21	5902817.001	Screw sim. ISO7380-M4x6	10			
112	5903525.001	E-Ring DIN6799-4	10			



No	Part No.	Description	PU	Note	Serial No.	
					from	to
11	5966465.001	Tube Ø8	2m			
22	5966461.001	Tube Ø6	2m			
23	5905972.001	Push-in Y-Fitting	1			
24	5966463.001	Tube Ø4	2m			
25	5966466.001	Tube Ø4	2m			
26	5977887.001	Pressure Reduce Valve Ass.	1	o		
27	5907842.001	Pressure Reduce Valve	1	o		
28	5905261.001	Sealing Ring	10	o		
29	5977886.001	Mounting Plate	1	o		
30	5906966.001	Push-in L-Connector	1	o		
31	5906914.001	Push-in L-Connector	1			
32	5906844.001	Vacuum Generator	1			
33	5906915.001	Push-in T-Connector	1			

No	Part No.	Description	PU	Note	Serial No.	
					from	to
34	5907276.001	Valve Block	1			
34	5905257.001	Silencer	1			
35	5907428.001	Magnetic Valve	1			
36	5907429.001	Magnetic Valve	1			
37	5949469.001	Distance Bolt	1			
38	5905603.001	Push-in Fitting	1			
39	5901505.001	Cable Clamp L=102	10			
40	5905124.001	Adhesive Plate 12.7x12.7	10			
41	5902860.001	Screw DIN7984-M3x20	10			
42	5902565.001	Screw DIN7984-M4x10	10			
43	5966464.001	Tube Ø6	2m			
44	5966460.001	Tube Ø4	2m			

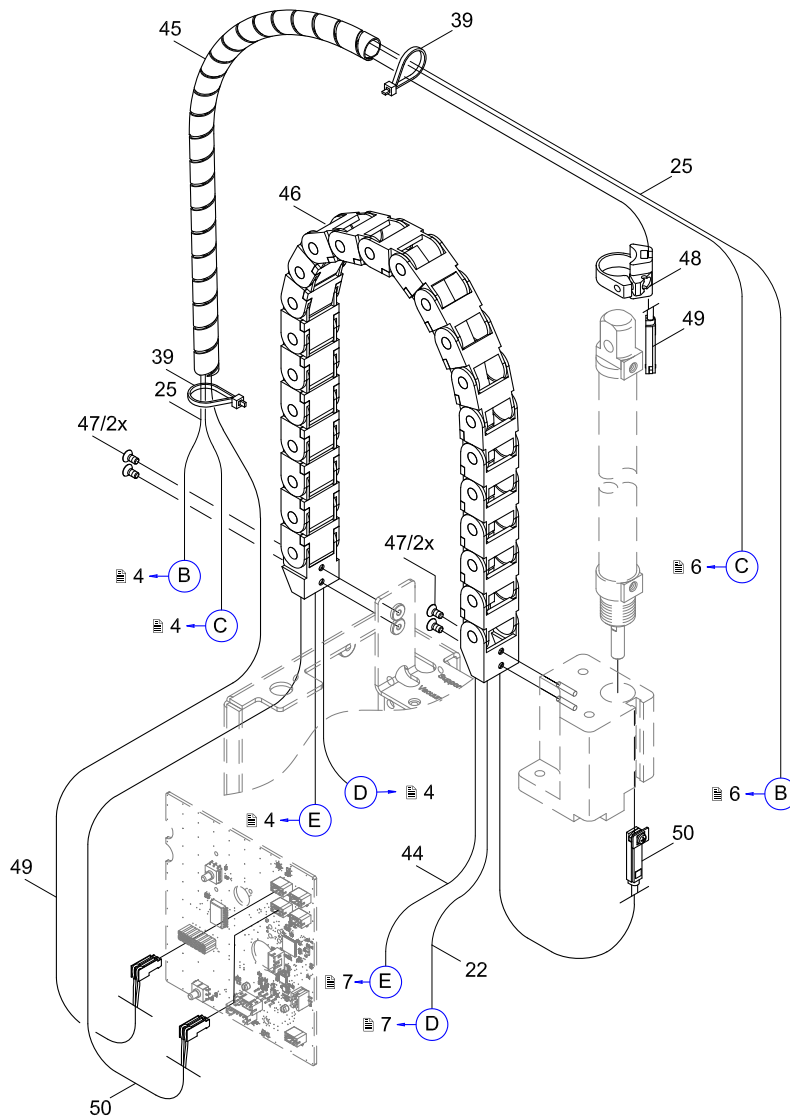
o Option



No	Part No.	Description	PU	Note	Serial No.	
					from	to
22	5966461.001	Tube Ø6	2m			
25	5966466.001	Tube Ø4	2m			
39	5901505.001	Cable Clamp L=102	10			
44	5966460.001	Tube Ø4	2m			
45	5901612.001	Spiral Tube	1			
46.1	5949173.001	Energy Track	1	a		
46.2	5949033.001	Energy Track	1	b		
46.3	5949239.001	Energy Track	1	c		
46.4	5949309.001	Energy Track	1	d		
47	5902021.001	Screw DIN7991-M3x6	10			

No	Part No.	Description	PU	Note	Serial No.	
					from	to
48	5905593.001	Mounting Clip	1			
49.1	5976127.001	Sensor	1	a		
49.2	5976128.001	Sensor	1	b		
49.3	5949238.001	Sensor	1	c		
49.4	5987650.001	Sensor	1	d		
50.1	5976130.001	Sensor	1	a		
50.2	5976131.001	Sensor	1	b		
50.3	5976132.001	Sensor	1	c		
50.4	5979313.001	Sensor	1	d		

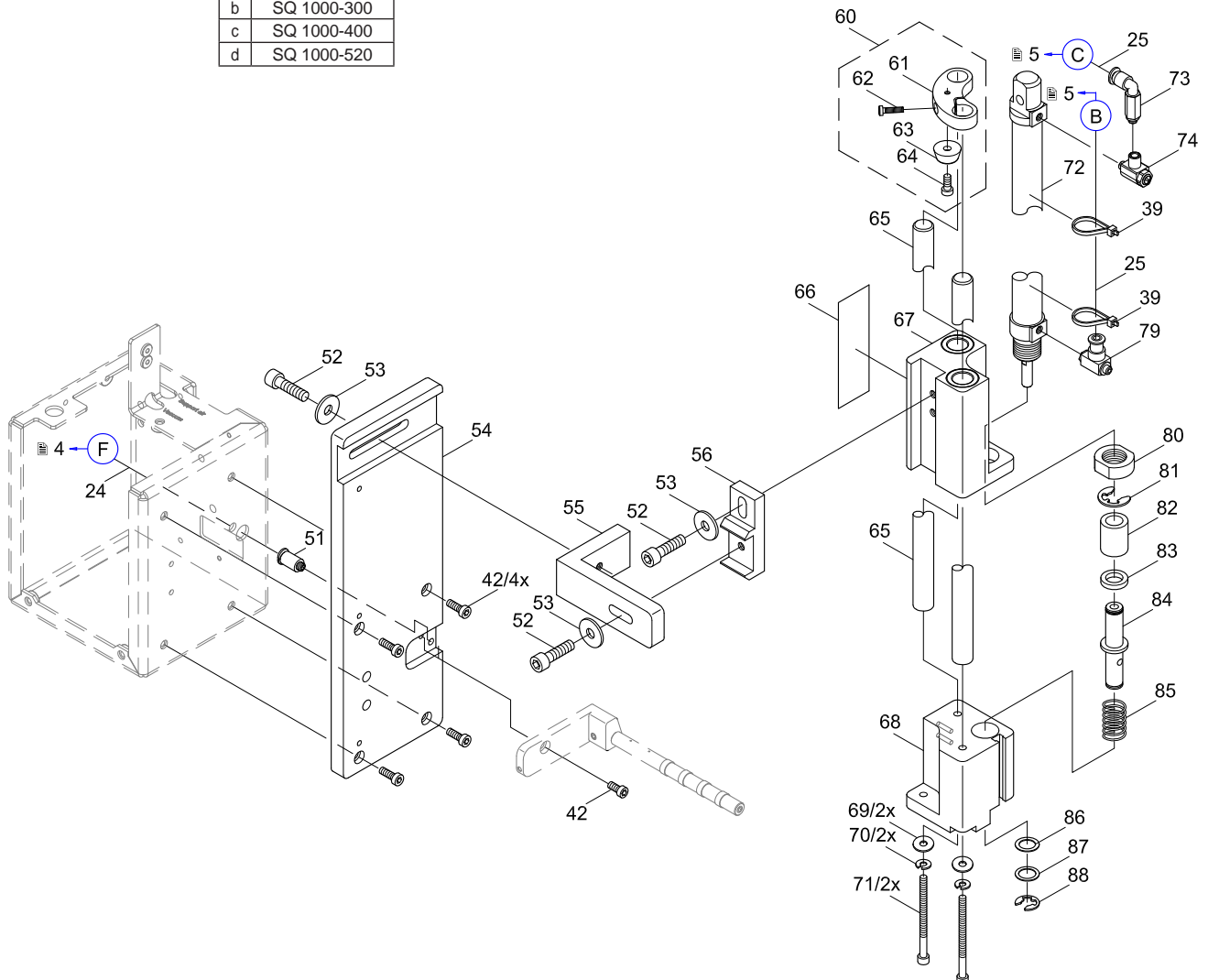
a	SQ 1000-220
b	SQ 1000-300
c	SQ 1000-400
d	SQ 1000-520



No	Part No.	Description	PU	Note	Serial No.	
					from	to
24	5966463.001	Tube Ø4	2m			
25	5966466.001	Tube Ø4	2m			
39	5901505.001	Cable Clamp L=102	10			
42	5902565.001	Screw DIN7984-M4x10	10			
51	5905283.001	Push-in/threaded Fitting	1			
52	5902262.001	Screw DIN912-M6x18	10			
53	5903040.001	Washer DIN125-A6,4	10			
54	5949140.001	Mounting Plate	1			
55	5949141.001	Bracket	1			
56	5949062.001	Adjusting Plate	1			
58	5904518.001	Set Screw DIN916-M5x5	10			
60	5949089.001	Stopper	1			
61	5949088.001	Stopper	1			
62	5902009.001	Screw DIN912-M3x12	10			
63	5905780.001	Foot	5			
64	5902397.001	Screw DIN7984-M4x6	10			
65.1	5949171.001	Rod	1	a		
65.2	5949065.001	Rod	1	b		
65.3	5949237.001	Rod	1	c		
65.4	5949307.001	Rod	1	d		
66	5949079.001	Sliding Foil	1			

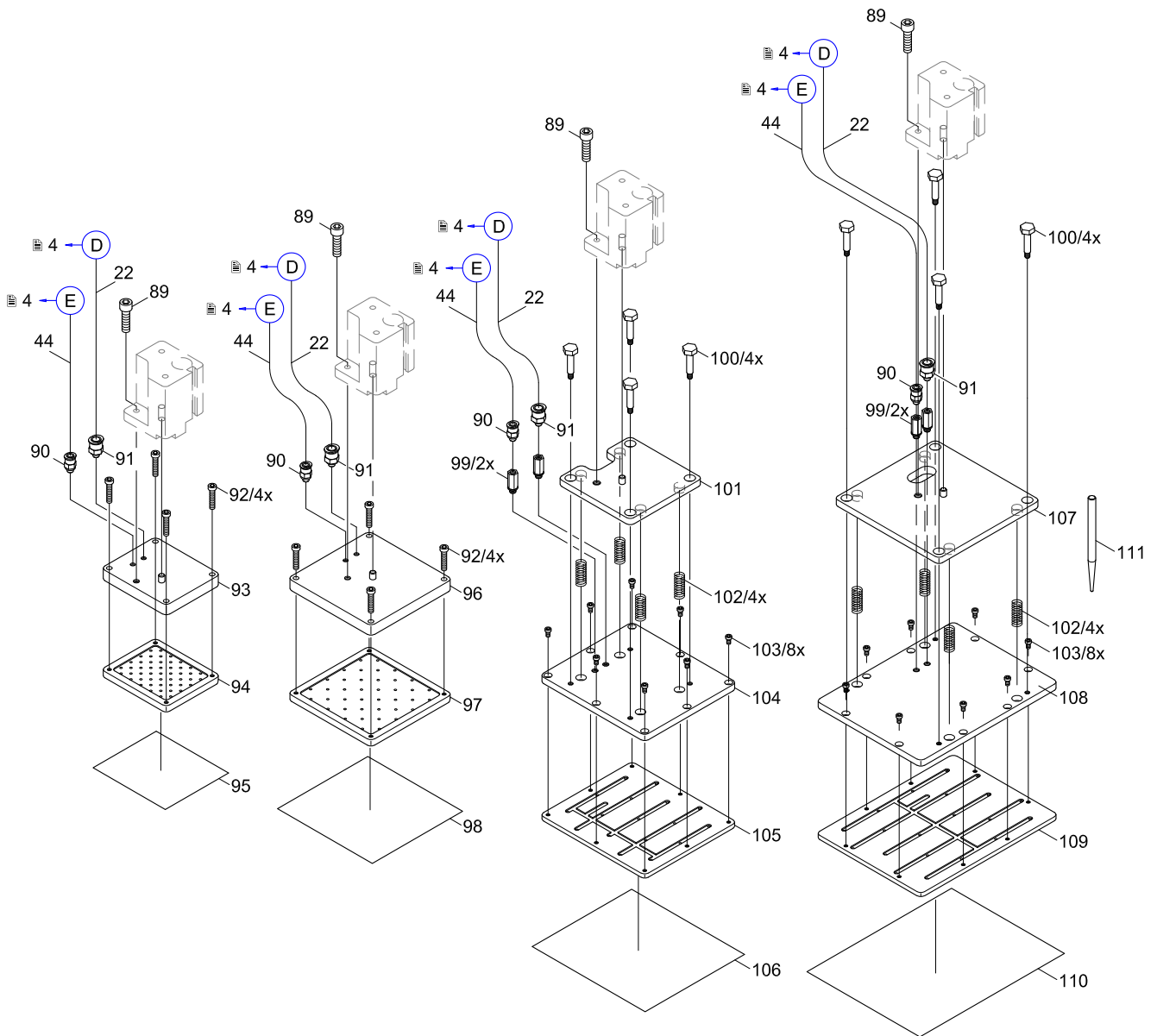
No	Part No.	Description	PU	Note	Serial No.	
					from	to
67	5949060.001	Guiding	1			
68	5949064.001	Tamp Retainer	1			
69	5903003.001	Washer DIN125-A4.3	10			
70	5903029.001	Lock Washer DIN127-B4	10			
71	5902449.001	Screw DIN7984-M4x40	10			
72.1	5905974.001	Cylinder	1	a		
72.2	5905973.001	Cylinder	1	b		
72.3	5906117.001	Cylinder	1	c		
72.4	5906540.001	Cylinder	1	d		
73	5905252.001	Push-in L-Connector	1			
74	5905249.001	One-way Flow Control Valve	1			
75	5906636.001	One-way Flow Control Valve	1			
80	5521159.001	Nut	1			
81	5903510.001	E-Ring DIN6799-9	10			
82	5949113.001	Bushing	1			
83	5905602.001	Ring Magnet	1			
84	5949112.001	Adapter Bolt	1			
85	5905069.001	Spring	1			
86	5521158.001	Washer	1			
87	5521157.001	Washer	1			
88	5903501.001	E-Ring DIN6799-7	10			

a	SQ 1000-220
b	SQ 1000-300
c	SQ 1000-400
d	SQ 1000-520



No	Part No.	Description	PU	Note	Serial No.	
					from	to
22	5966461.001	Tube Ø6	2m			
44	5966460.001	Tube Ø4	2m			
89	5902169.001	Screw DIN912-M6x14	10			
90	5905251.001	Push-in/threaded Fitting	1			
91	5905640.001	Push-in/threaded Fitting	1			
92	5902562.001	Screw DIN7984 M4x14	10			
93	5949073.001	Cover Plate	1			
94	5949071.001	Suction Plate	1			
95	5949074.001	Sliding Foil	1			
96	5949133.001	Cover Plate	1			
97	5949134.001	Suction Plate	1			
98	5949135.001	Sliding Foil	1			
99	5905518.001	Pipe Coupling	1			

No	Part No.	Description	PU	Note	Serial No.	
					from	to
100	5941017.001	Bolt	1			
101	5950658.001	Mounting Plate cpl.	1			
102	5906100.001	Spring	10			
103	5902144.001	Screw DIN7984-M3x5	10			
104	5950659.001	Cover Plate	1			
105	5950660.001	Suction Plate	1			
106	5950661.001	Sliding Foil	1			
107	5950652.001	Mounting Plate	1			
108	5950653.001	Cover Plate	1			
109	5950654.001	Suction Plate	1			
110	5950655.001	Sliding Foil	1			
111	5949098.001	Piercing Pin	1			



Pos.	Figure/Page				No.	Part No.	Description	PU	SPR	Notes	Serial No.		
											from	to	
1				6	87	5521157.001	Washer	1	-				
2				6	86	5521158.001	Washer	1	-				
3				6	80	5521159.001	Nut	1	-				
4	3				17	5550268.001	PCB Applkator Control	1	C				
5		4	5	6	39	5901505.001	Cable Clamp L=102	10	-				
6			5		45	5901612.001	Spiral Tube	1	-				
7	3				18	5902007.001	Screw DIN912-M3x6	10	-				
8				6	62	5902009.001	Screw DIN912-M3x12	10	-				
9			5		47	5902021.001	Screw DIN7991-M3x6	10	-				
10					7	103	5902144.001	Screw DIN7984-M3x5	10	-			
11					7	89	5902169.001	Screw DIN912-M6x14	10	-			
12				6	52	5902262.001	Screw DIN912-M6x18	10	-				
13				6	64	5902397.001	Screw DIN7984-M4x6	10	-				
14				6	71	5902449.001	Screw DIN7984-M4x40	10	-				
15					7	92	5902562.001	Screw DIN7984 M4x14	10	-			
16		4		6	42	5902565.001	Screw DIN7984-M4x10	10	-				
17	3				21	5902817.001	Screw sim. ISO7380-M4x6	10	-				
18		4			41	5902860.001	Screw DIN7984-M3x20	10	-				
19				6	69	5903003.001	Washer DIN125-A4.3	10	-				
20	3				8	5903005.001	Washer DIN9021-4.3	10	-				
21				6	70	5903029.001	Lock Washer DIN127-B4	10	-				
22				6	53	5903040.001	Washer DIN125-A6,4	10	-				
23				6	88	5903501.001	E-Ring DIN6799-7	10	-				
24				6	81	5903510.001	E-Ring DIN6799-9	10	-				
25	3				112	5903525.001	E-Ring DIN6799-4	10	-				
26				6	58	5904518.001	Set Screw DIN916-M5x5	10	C				
27				6	85	5905069.001	Spring	1	C				
28		4			40	5905124.001	Adhesive Plate 12.7x12.7	10	A				
29				6	74	5905249.001	One-way Flow Control Valve	1	-				
30					7	90	5905251.001	Push-in/threaded Fitting	1	-			
31				6	73	5905252.001	Push-in L-Connector	1	A				
32		4			34	5905257.001	Silencer	1	-				
33		4			28	5905261.001	Sealing Ring	10	-	o			
34				6	51	5905283.001	Push-in/threaded Fitting	1	-				
35	3				12	5905285.001	Push-in L-Connector	1	-				
36					7	99	5905518.001	Pipe Coupling	1	-			
37			5		48	5905593.001	Mounting Clip	1	-				
38				6	83	5905602.001	Ring Magnet	1	-				
39		4			38	5905603.001	Push-in Fitting	1	-				
40					7	91	5905640.001	Push-in/threaded Fitting	1	-			
41	3				15	5905667.001	Push-in/threaded Fitting	1	-				
42				6	63	5905780.001	Foot	5	-				
43		4			23	5905972.001	Push-in Y-Fitting	1	C				
44				6	72.2	5905973.001	Cylinder	1	C	b			
45				6	72.1	5905974.001	Cylinder	1	-	a			
46					7	102	5906100.001	Spring	10	C			
47				6	72.3	5906117.001	Cylinder	1	-	c			
48				6	72.4	5906540.001	Cylinder	1	A	d			
49				6	75	5906636.001	One-way Flow Control Valve	1	-				
50		4			32	5906844.001	Vacuum Generator	1	-				
51		4			31	5906914.001	Push-in L-Connector	1	-				
52		4			33	5906915.001	Push-in T-Connector	1	-				
53		4			30	5906966.001	Push-in L-Connector	1	C	o			
54		4			34	5907276.001	Valve Block	1	-				
55	3				5	5907337.001	Coupling Plug	1	C				
56	3				4	5907338.001	Block Valve	1	B				

PU Package unit

SPR Recommendation

- A - wearing parts and accessories
- B - recommended spare parts for quick repair
- C - recommended spare parts for distributors
- D - recommended spare parts for central stores

Notes

The letter mentioned includes the recommendations for the following classifications in the alphabet. For example, B includes the recommendations for C and D.

- a SQ 1000-220
- b SQ 1000-300
- c SQ 1000-400
- d SQ 1000-520
- o Option

Pos.	Figure/Page			No.	Part No.	Description	PU	SPR	Notes	Serial No.		
										from	to	
57		4			35	5907428.001	Magnetic Valve	1	B			
58		4			36	5907429.001	Magnetic Valve	1	-			
59		4			27	5907842.001	Pressure Reduce Valve	1	-	o		
60	3				3	5907911.001	Filter Regulator	1	-			
61	3				10	5907920.001	Nut	1	-			
62	3				2	5907923.001	Push-In Fitting	1	-			
63				7	100	5941017.001	Bolt	1	-			
64		5			46.2	5949033.001	Energy Track	1	-	b		
65	3				16	5949058.001	Distance Bolt M3x7.5	1	-			
66				6		67	5949060.001	Guiding	1	-		
67				6		56	5949062.001	Adjusting Plate	1	-		
68				6		68	5949064.001	Tamp Retainer	1	-		
69				6		65.2	5949065.001	Rod	1	-	b	
70				7		94	5949071.001	Suction Plate	1	-		
71				7		93	5949073.001	Cover Plate	1	-		
72				7		95	5949074.001	Sliding Foil	1	-		
73				6		66	5949079.001	Sliding Foil	1	-		
74				6		61	5949088.001	Stopper	1	-		
75				6		60	5949089.001	Stopper	1	-		
76				7		111	5949098.001	Piercing Pin	1	-		
77				6		84	5949112.001	Adapter Bolt	1	-		
78				6		82	5949113.001	Bushing	1	-		
79				7		96	5949133.001	Cover Plate	1	-		
80				7		97	5949134.001	Suction Plate	1	-		
81				7		98	5949135.001	Sliding Foil	1	-		
82				6		54	5949140.001	Mounting Plate	1	-		
83				6		55	5949141.001	Bracket	1	-		
84	3					14	5949144.001	Center Pin	1	-		
85				6		65.1	5949171.001	Rod	1	-	a	
86		5				46.1	5949173.001	Energy Track	1	-	a	
87				6		65.3	5949237.001	Rod	1	C	c	
88		5				49.3	5949238.001	Sensor	1	-	c	
89		5				46.3	5949239.001	Energy Track	1	-	c	
90				6		65.4	5949307.001	Rod	1	-	d	
91		5				46.4	5949309.001	Energy Track	1	-	d	
92		4				37	5949469.001	Distance Bolt	1	-		
93				7		107	5950652.001	Mounting Plate	1	-		
94				7		108	5950653.001	Cover Plate	1	-		
95				7		109	5950654.001	Suction Plate	1	-		
96				7		110	5950655.001	Sliding Foil	1	-		
97				7		101	5950658.001	Mounting Plate cpl.	1	-		
98				7		104	5950659.001	Cover Plate	1	-		
99				7		105	5950660.001	Suction Plate	1	-		
100				7		106	5950661.001	Sliding Foil	1	-		
101	3					7	5965070.001	Screw M4x12	10	-		
102		4	5		7	44	5966460.001	Tube Ø4	2m	B		
103		4	5		7	22	5966461.001	Tube Ø6	2m	B		
104		4		6		24	5966463.001	Tube Ø4	2m	B		
105		4				43	5966464.001	Tube Ø6	2m	B		
106	3	4				11	5966465.001	Tube Ø8	2m	B		
107		4	5	6		25	5966466.001	Tube Ø4	2m	B		
108			5			49.1	5976127.001	Sensor	1	C	a	
109			5			49.2	5976128.001	Sensor	1	C	b	
110			5			50.1	5976130.001	Sensor	1	C	a	
111			5			50.2	5976131.001	Sensor	1	C	b	
112			5			50.3	5976132.001	Sensor	1	C	c	

PU Package unit

Notes

a SQ 1000-220
b SQ 1000-300
c SQ 1000-400
d SQ 1000-520
o Option

SPR Recommendation

A - wearing parts and accessories
B - recommended spare parts for quick repair
C - recommended spare parts for distributors
D - recommended spare parts for central stores

The letter mentioned includes the recommendations for the following classifications in the alphabet. For example, B includes the recommendations for C and D.

Pos.	Figure/Page				No.	Part No.	Description	PU	SPR	Notes	Serial No.	
											from	to
113		4			29	5977886.001	Mounting Plate	1	-	o		
114		4			26	5977887.001	Pressure Reduce Valve Assembly	1	-	o		
115	3				19	5978945.001	Knurled Screw	1	-			
116	3				13	5978948.001	Frame	1	-			
117	3				20	5978950.001	Cover	1	-			
118		5			50.4	5979313.001	Sensor	1	-	d		
119	3				9	5987648.001	Bracket	1	-			
120	3				1	5987649.001	Service Unit	1	-			
121		5			49.4	5987650.001	Sensor	1	-	d		

7 Packaging

Pos.	Figure/Page				No.	Part No.	Description	PU	SPR	Notes	Serial No.	
											from	to
122						9109176.001	Packaging	1	-			

PU Package unit

SPR Recommendation

- A - wearing parts and accessories
- B - recommended spare parts for quick repair
- C - recommended spare parts for distributors
- D - recommended spare parts for central stores

Notes

The letter mentioned includes the recommendations for the following classifications in the alphabet. For example, B includes the recommendations for C and D.

- a SQ 1000-220
- b SQ 1000-300
- c SQ 1000-400
- d SQ 1000-520
- o Option