

Spare Parts List



Stroke Applicator

**4126C / 4136C**

Family	Type
Stroke Applicator	4126C-300
	4126C-400
	4136C-300
	4136C-400

### Table of Contents

1	Retainer Assembly.....	3
2	Pneumatics Retainer Assembly .....	4
3	Electronics Retainer Assembly .....	5
4	Tamp Assembly 4126C .....	6
5	Tamp Assembly 4136C .....	7
6	Cylinder Assembly Z .....	8
7	Spare parts register .....	9
8	Packaging / Accessories .....	10

Edition: 08/2023 - Part.-No. 9003986

### Copyright

This documentation as well as translation hereof are property of cab Produkttechnik GmbH & Co. KG.

The replication, conversion, duplication or divulgement of the whole manual or parts of it for other intentions than its original intended purpose demand the previous written authorization by cab.

### Editor

Regarding questions or comments please contact cab Produkttechnik GmbH & Co. KG.

### Topicality

Due to the constant further development of our products discrepancies between documentation and product can occur. Please check [www.cab.de](http://www.cab.de) for the latest update.

### Terms and conditions

Deliveries and performances are effected under the General conditions of sale of cab.

---

Germany  
**cab Produkttechnik GmbH & Co KG**  
Karlsruhe  
Phone +49 721 6626 0  
[www.cab.de](http://www.cab.de)

USA  
**cab Technology, Inc.**  
Chelmsford, MA  
Phone +1 978 250 8321  
[www.cab.de/us](http://www.cab.de/us)

Taiwan  
**cab Technology Co., Ltd.**  
Taipei  
Phone +886 (02) 8227 3966  
[www.cab.de/tw](http://www.cab.de/tw)

Singapore  
**cab Singapore Pte. Ltd.**  
Singapore  
Phone +65 6931 9099  
[www.cab.de/en](http://www.cab.de/en)

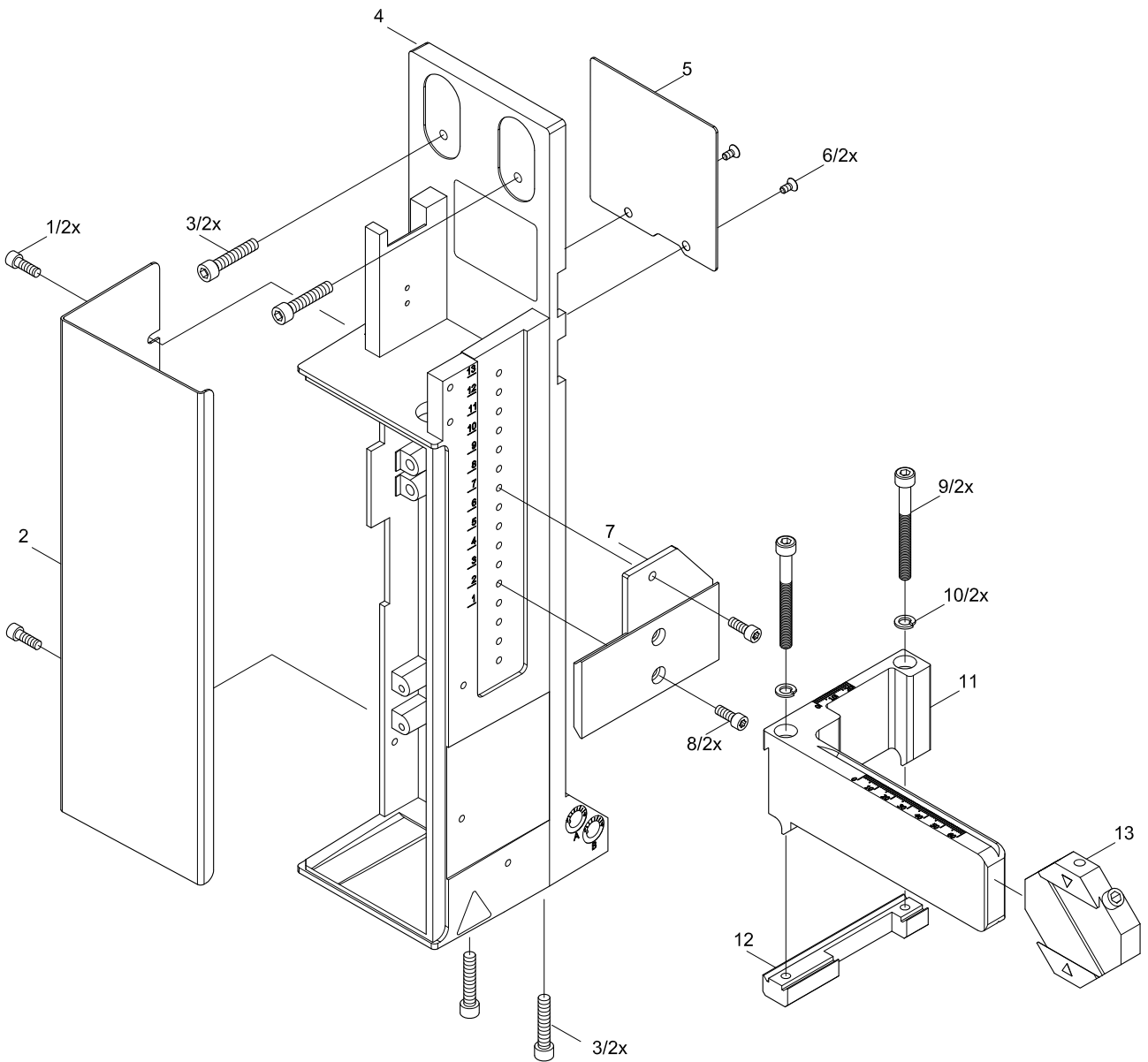
France  
**cab Technologies S.à.r.l.**  
Niedermodern  
Phone +33 388 722501  
[www.cab.de/fr](http://www.cab.de/fr)

Mexico  
**cab Technology, Inc.**  
Juárez  
Phone +52 656 682 4301  
[www.cab.de/es](http://www.cab.de/es)

China  
**cab (Shanghai) Trading Co., Ltd.**  
Shanghai  
Phone +86 (021) 6236 3161  
[www.cab.de/cn](http://www.cab.de/cn)

South Africa  
**cab Technology (Pty) Ltd.**  
Randburg  
Phone +27 11 886 3580  
[www.cab.de/za](http://www.cab.de/za)

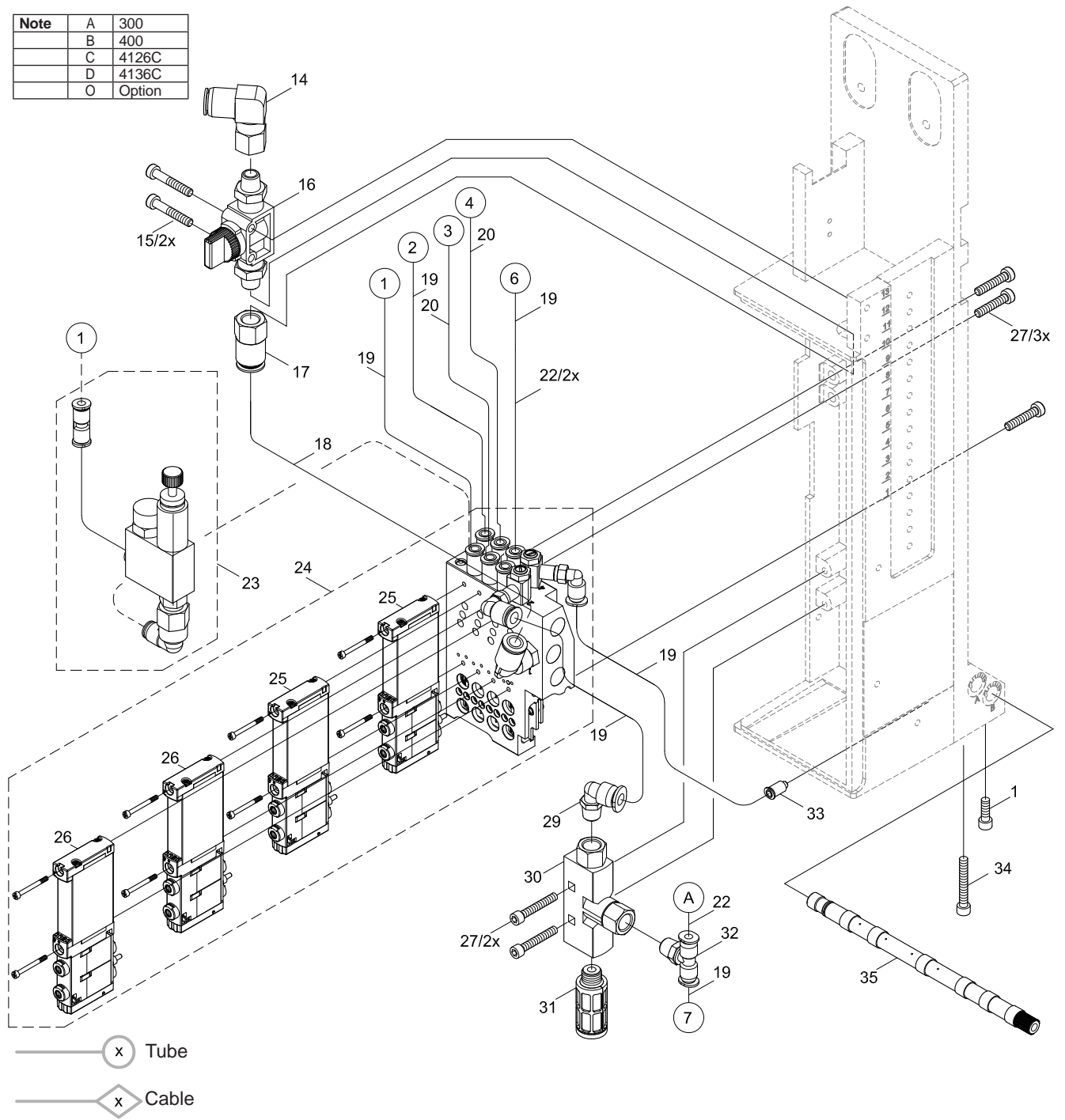
No.	Part-No.	Description	PU	Note	Serial No.	
					from	to
1	5902489.001	Screw DIN7984-M4x8	10			
2	5964129.001	Cover	1			
3	5902159.001	Screw DIN912-M5x12	10			
4	5970491.001	Base Plate	1			
5	5964429.001	Plate	1			
6	5902021.001	Screw DIN7991-M3x6	10			
7	5970013.001	Adapter Profile	1			
8	5902837.001	Screw DIN7984-M4x8	10			
9	5902167.001	Screw DIN912-M5x50	10			
10	5903061.001	Lock Washer DIN127-B5	10			
11	5964332.001	Crossbeam	1			
12	5964310.001	Clamping Element	1			
13	5964062.001	Binder	1			



No.	Part-No.	Description	PU	Note	Serial No.	
					from	to
1	5902489.001	Screw DIN7984-M4x8	10			
14	5905285.001	Push-in L-Connector	1			
15	5902863.001	Screw DIN7984-M4x25	10			
16	5905284.001	Shut-off valve	1			
17	5906842.001	Push-in/threaded Fitting	1			
18	5966465.001	Tube Ø8	2m			
19	5966460.001	Tube Ø4	2m			
20	5966466.001	Tube Ø4	2m			
21	5966464.001	Tube Ø6	2m			
22	5966463.001	Tube Ø4	2m			
23	5966414.001	Pressure Regulator	1	O		
24	5976156.001	Valve Block	1			

No.	Part-No.	Description	PU	Note	Serial No.	
					from	to
25	5907428.001	Magnetic Valve	1			
26	5907429.001	Magnetic Valve	1			
27	5902862.001	Screw DIN7984-M4x20	10			
29	5906914.001	Push-in L-Connector	1			
30	5906844.001	Vacuum Generator	1			
31	5905257.001	Silencer	1			
32	5906915.001	Push-in T-Connector	1			
33	5905283.001	Push-in/threaded Fitting	1			
34	5902420.001	Screw DIN7984-M4x20	10			
35.1	5964095.001	Blow Tube 4"	1			
35.2	5964614.001	Blow Tube 6"	1			

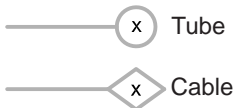
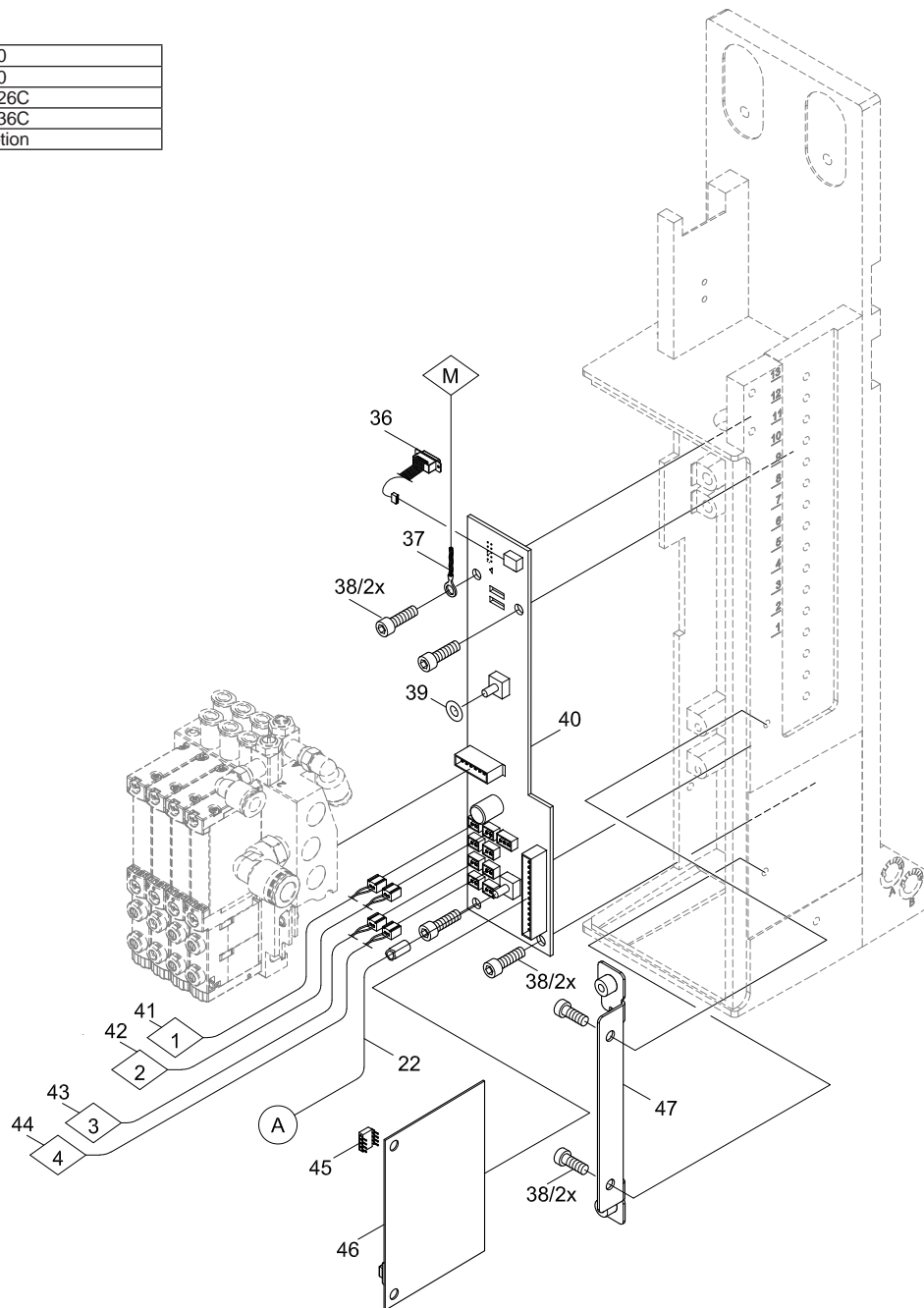
Note	A	300
	B	400
	C	4126C
	D	4136C
	O	Option



No.	Part-No.	Description	PU	Note	Serial No.	
					from	to
22	5966463.001	Tube Ø4	2m			
36	5955586.001	Cable	1			
37	5964592.001	Cable	1			
38	5902571.001	Screw DIN7984-M4x6	10			
39	5906943.001	Sealing Ring	10			
40	5971416.001	PCB Applicator Interfaces	1			
41.1	5964494.001	Sensor	1	A		
41.2	5964495.001	Sensor	1	B		
42.1	5964595.001	Sensor	1	A		
42.2	5966447.001	Sensor	1	B		

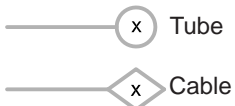
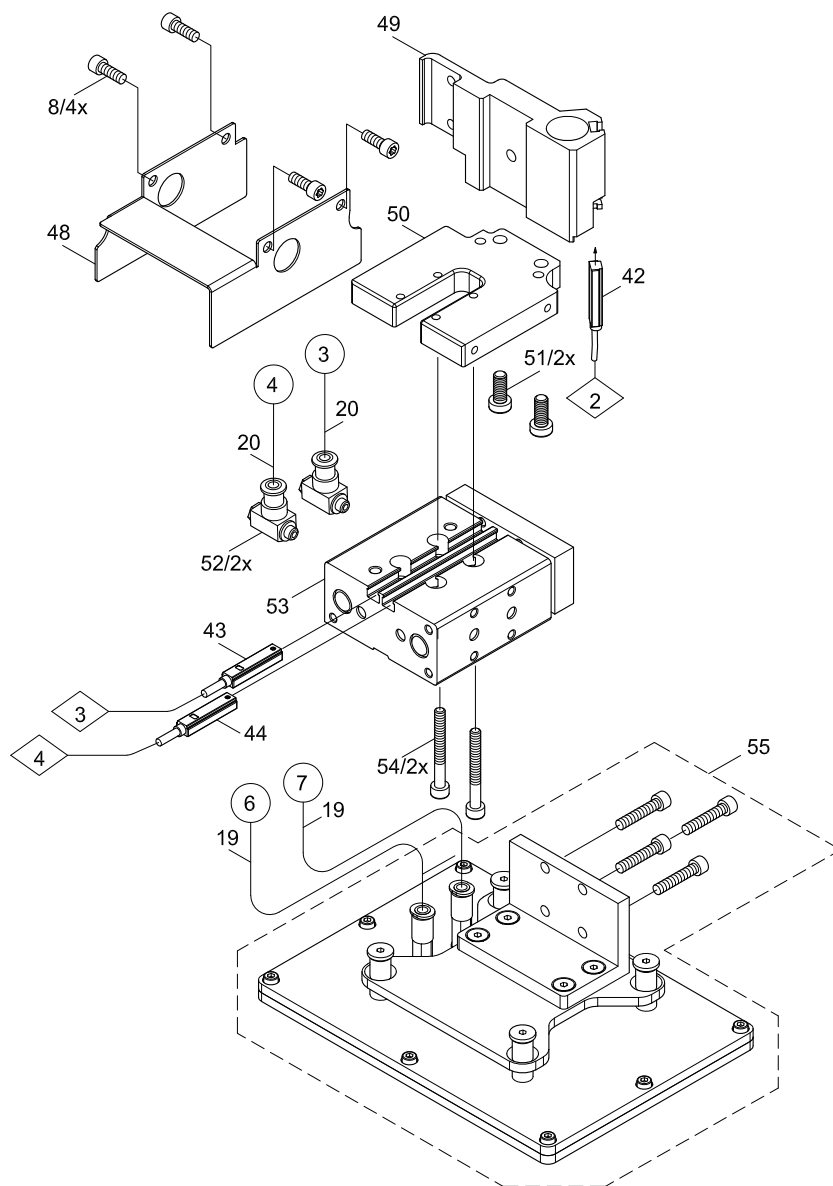
No.	Part-No.	Description	PU	Note	Serial No.	
					from	to
43.1	5966442.001	Sensor	1	A		
43.2	5966448.001	Sensor	1	B		
44.1	5964459.001	Sensor	1	A		
44.2	5966449.001	Sensor	1	B		
45.1	5972367.001	EEPROM	1	C		
45.2	5972368.001	EEPROM	1	D		
46	5955575.001	Applicator Control	1			
47	5966417.001	Retainer	1			

Note	A	300
	B	400
	C	4126C
	D	4136C
	O	Option



No.	Part-No.	Description	PU	Note	Serial No.		No.	Part-No.	Description	PU	Note	Serial No.	
					from	to						from	to
8	5902837.001	Screw DIN7984-M4x8	10				48	5972117.001	Guard Plate	1			
20	5966466.001	Tube Ø4	2m				49	5964236.001	Tamp Retainer	1			
42.1	5964595.001	Sensor	1	A			50	5972158.001	Cylinder Holder	1			
42.2	5966447.001	Sensor	1	B			51	5902281.001	Screw DIN7984-M5x12	10			
43.1	5966442.001	Sensor	1	A			52	5906636.001	One-way Flow Control Valve	1			
43.2	5966448.001	Sensor	1	B			53	5906687.001	Cylinder	1			
44.1	5964459.001	Sensor	1	A			54	5902891.001	Screw DIN7984-M4x35	10			
44.2	5966449.001	Sensor	1	B			55		Tamp, customized				

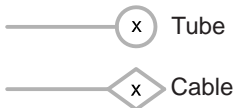
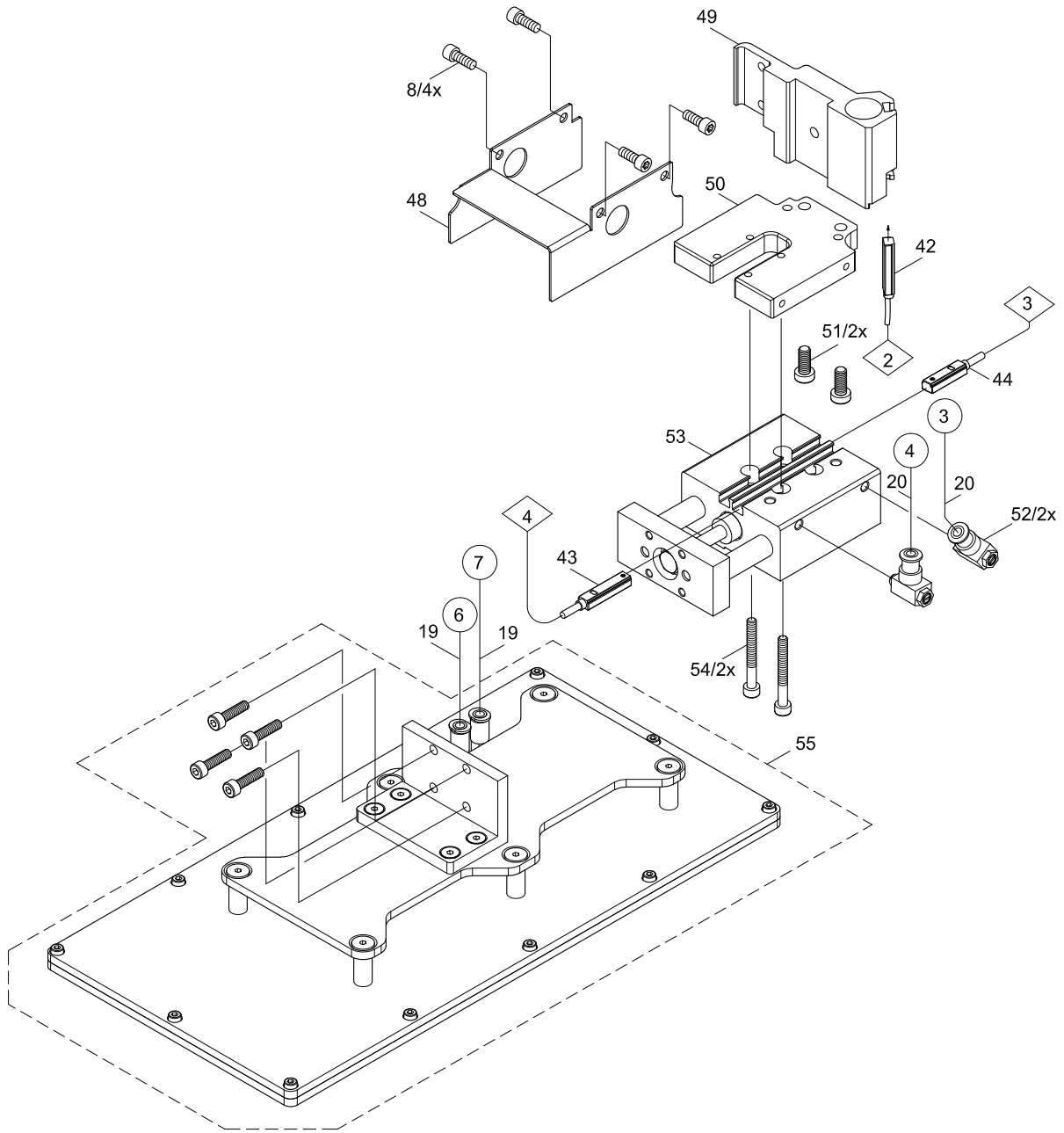
Note	A	300
	B	400
	O	Option



No.	Part-No.	Description	PU	Note	Serial No.	
					from	to
8	5902837.001	Screw DIN7984-M4x8	10			
20	5966466.001	Tube Ø4	2m			
42.1	5964595.001	Sensor	1	A		
42.2	5966447.001	Sensor	1	B		
43.1	5966442.001	Sensor	1	A		
43.2	5966448.001	Sensor	1	B		
44.1	5964459.001	Sensor	1	A		
44.2	5966449.001	Sensor	1	B		

No.	Part-No.	Description	PU	Note	Serial No.	
					from	to
48	5972117.001	Guard Plate	1			
49	5964236.001	Tamp Retainer	1			
50	5972158.001	Cylinder Holder	1			
51	5902281.001	Screw DIN7984-M5x12	10			
52	5906636.001	One-way Flow Control Valve	1			
53	5906687.001	Cylinder	1			
54	5902891.001	Screw DIN7984-M4x35	10			
55		Tamp, customized				

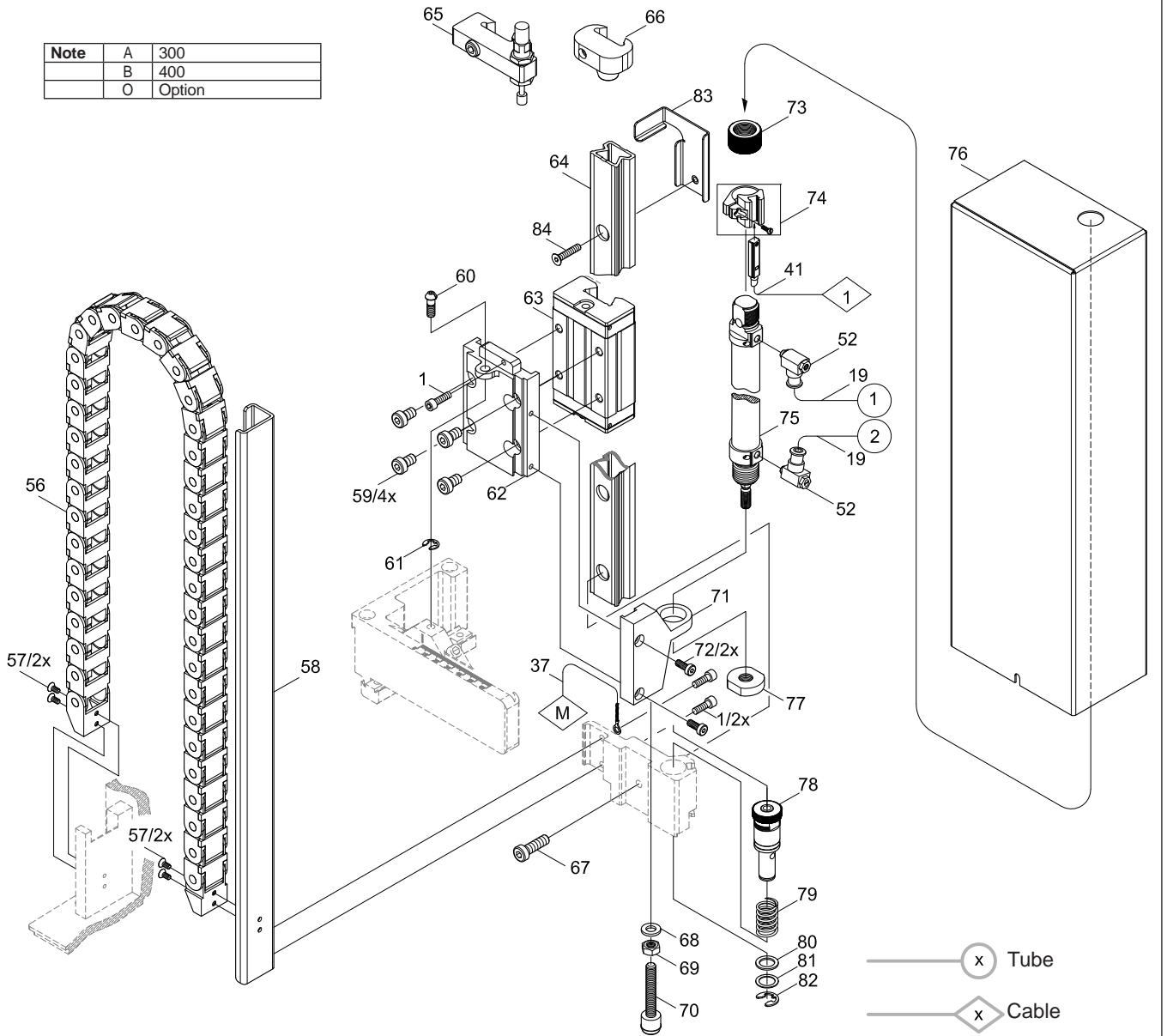
Note	A	300
	B	400
	O	Option



No.	Part-No.	Description	PU	Note	Serial No.	
					from	to
1	5902489.001	Screw DIN7984-M4x8	10			
19	5966460.001	Tube Ø4	2m			
37	5964592.001	Cable	1			
41.1	5964494.001	Sensor	1	A		
41.2	5964495.001	Sensor	1	B		
52	5906636.001	One-way Flow Control Valve	1			
56.1	5964374.001	Energy Track	1	A		
56.2	5964375.001	Energy Track	1	B		
57	5902047.001	Screw DIN7991-M3x5	10			
58.1	5964357.001	Bracket	1	A		
58.2	5964358.001	Bracket	1	B		
59	5902375.001	Screw DIN7984-M6x10	10			
60	5964061.001	Set Screw	1			
61	5903505.001	E-Ring DIN6799-5	10			
62	5964302.001	Plate	1			
63	5965966.001	Sliding Carriage	1			
64.1	5972157.001	Guid Rail	1	A		
64.2	5979307.001	Guide Rail	1	B		
65	5964343.001	Stopper	1	O		
66	5964364.001	Stopper	1			
67.1	5902487.001	Screw DIN7984-M6x14	10	A		
67.2	5909043.001	Screw DIN7984-M6x20	10	B		

No.	Part-No.	Description	PU	Note	Serial No.	
					from	to
68	5903040.001	Washer DIN125-A6,4	10			
69	5902504.001	Nut DIN934-M6	10			
70	5964349.001	Stopper	1			
71	5964301.001	Holder	1			
72	5902562.001	Screw DIN7984 M4x14	10			
73	5964489.001	Knurled Nut	1			
74	5905593.001	Mounting Clip	1			
75.1	5905973.001	Cylinder	1	A		
75.2	5906117.001	Cylinder	1	B		
76.1	5964483.001	Cover	1	A		
76.2	5964484.001	Cover	1	B		
77	5521159.001	Nut	1			
78	5955707.001	Adapter Bolt	1			
79	5905069.001	Spring	1			
80	5521157.001	Washer	1			
81	5521158.001	Washer	1			
82	5903501.001	E-Ring DIN6799-7	10			
83	5966524.001	Bracket	1	B		
84	5902291.001	Screw DIN7991-M4x20	10			

Note	A	300
	B	400
	O	Option





Pos	Figure/Page				No.	Part No.	Description	PU	SPR				Notes	Serial No.		
														from	to	
1					8	80	5521157.001	Washer	1	-	-	-	-			
2					8	81	5521158.001	Washer	1	-	-	-	-			
3					8	77	5521159.001	Nut	1	-	-	-	-			
4	3					6	5902021.001	Screw DIN7991-M3x6	10	-	-	-	-			
5					8	57	5902047.001	Screw DIN7991-M3x5	10	-	-	-	-			
6	3					3	5902159.001	Screw DIN912-M5x12	10	-	-	-	-			
7	3					9	5902167.001	Screw DIN912-M5x50	10	-	-	-	-			
8			6	7		51	5902281.001	Screw DIN7984-M5x12	10	-	-	-	-			
9					8	84	5902291.001	Screw DIN7991-M4x20	10	-	-	-	-			
10					8	59	5902375.001	Screw DIN7984-M6x10	10	-	-	-	-			
11		4				34	5902420.001	Screw DIN7984-M4x20	10	-	-	-	-			
12					8	67.1	5902487.001	Screw DIN7984-M6x14	10	-	-	-	-	A		
13	3	4			8	1	5902489.001	Screw DIN7984-M4x8	10	-	-	-	-			
14					8	69	5902504.001	Nut DIN934-M6	10	-	-	-	-			
15					8	72	5902562.001	Screw DIN7984 M4x14	10	-	-	-	-			
16			5			38	5902571.001	Screw DIN7984-M4x6	10	-	-	-	-			
17	3			6	7	8	5902837.001	Screw DIN7984-M4x8	10	-	-	-	-			
18		4				27	5902862.001	Screw DIN7984-M4x20	10	-	-	-	-			
19		4				15	5902863.001	Screw DIN7984-M4x25	10	-	-	-	-			
20				6	7	54	5902891.001	Screw DIN7984-M4x35	10	-	-	-	-			
21					8	68	5903040.001	Washer DIN125-A6,4	10	-	-	-	-			
22	3					10	5903061.001	Lock Washer DIN127-B5	10	-	-	-	-			
23					8	82	5903501.001	E-Ring DIN6799-7	10	-	-	-	-			
24					8	61	5903505.001	E-Ring DIN6799-5	10	-	-	-	-			
25					8	79	5905069.001	Spring	1	-	-	C	D			
26		4				31	5905257.001	Silencer	1	A	B	C	D			
27		4				33	5905283.001	Push-in/threaded Fitting	1	-	-	-	-			
28		4				16	5905284.001	Shut-off valve	1	-	-	-	-			
29		4				14	5905285.001	Push-in L-Connector	1	-	-	-	-			
30					8	74	5905593.001	Mounting Clip	1	-	-	-	-			
31					8	75.1	5905973.001	Cylinder	1	-	-	C	D	A		
32					8	75.2	5906117.001	Cylinder	1	-	-	C	D	B		
33				6	7	8	52	5906636.001	One-way Flow Control Valve	1	A	B	C	D		
34				6	7	53	5906687.001	Cylinder	1	-	-	C	D			
35		4				17	5906842.001	Push-in/threaded Fitting	1	-	-	-	-			
36		4				30	5906844.001	Vacuum Generator	1	-	-	-	-			
37		4				29	5906914.001	Push-in L-Connector	1	-	-	-	-			
38		4				32	5906915.001	Push-in T-Connector	1	-	-	-	-			
39			5			39	5906943.001	Sealing Ring	10	-	-	-	-			
40		4				25	5907428.001	Magnetic Valve	1	-	B	C	D			
41		4				26	5907429.001	Magnetic Valve	1	-	B	C	D			
42					8	67.2	5909043.001	Screw DIN7984-M6x20	10	-	-	-	-			
43			5			46	5955575.001	Applicator Control	1	-	-	C	D			
44			5			36	5955586.001	Cable	1	-	-	C	D			
45					8	78	5955707.001	Adapter Bolt	1	-	-	-	-			
46					8	60	5964061.001	Set Screw	1	-	-	-	-			
47		3				13	5964062.001	Binder	1	-	-	-	-			
48		4				35.1	5964095.001	Blow Tube 4"	1	-	-	-	-			
49		3				2	5964129.001	Cover	1	-	-	-	-			
50				6	7	49	5964236.001	Tamp Retainer	1	-	-	-	-			
51					8	71	5964301.001	Holder	1	-	-	-	-			
52					8	62	5964302.001	Plate	1	-	-	-	-			
53		3				12	5964310.001	Clamping Element	1	-	-	-	-			
54		3				11	5964332.001	Crossbeam	1	-	-	-	-			
55					8	65	5964343.001	Stopper	1	-	-	-	-			
56					8	70	5964349.001	Stopper	1	-	-	-	-			
57					8	58.1	5964357.001	Bracket	1	-	-	-	-			

PU Package unit

Note

SPR Recommendation

A - wearing parts and accessories

B - recommended spare parts for quick repair

C - recommended spare parts for distributors

D - recommended spare parts for central stores

A	300
B	400
C	4126C
D	4136C
O	Option

Pos	Figure/Page				No.	Part No.	Description	PU	SPR				Notes	Serial No.		
														from	to	
58				8	58.2	5964358.001	Bracket	1	-	-	-	-				
59				8	66	5964364.001	Stopper	1	-	-	-	-				
60				8	56.1	5964374.001	Energy Track	1	-	-	-	-	A			
61				8	56.2	5964375.001	Energy Track	1	-	-	-	-	B			
62	3				5	5964429.001	Plate	1	-	-	-	-				
63		5	6	7		44.1	5964459.001	Sensor	1	-	-	C	D	A		
64				8	76.1	5964483.001	Cover	1	-	-	-	-	A			
65				8	76.2	5964484.001	Cover	1	-	-	-	-	B			
66				8	73	5964489.001	Knurled Nut	1	-	-	-	-				
67		5		8	41.1	5964494.001	Sensor	1	-	-	C	D	A			
68		5		8	41.2	5964495.001	Sensor	1	-	-	C	D	B			
69		5		8	37	5964592.001	Cable	1	-	-	C	D				
70		5	6	7		42.1	5964595.001	Sensor	1	-	-	C	D	A		
71	4					35.2	5964614.001	Blow Tube 6"	1	-	-	-	-			
72				8	63	5965966.001	Sliding Carriage	1	-	-	-	-				
73	4					23	5966414.001	Pressure Regulator	1	-	-	-	-			
74		5				47	5966417.001	Retainer	1	-	-	-	-			
75		5	6	7		43.1	5966442.001	Sensor	1	-	-	C	D	A		
76		5	6	7		42.2	5966447.001	Sensor	1	-	-	C	D	B		
77		5	6	7		43.2	5966448.001	Sensor	1	-	-	C	D	B		
78		5	6	7		44.2	5966449.001	Sensor	1	-	-	C	D	B		
79	4			8	19	5966460.001	Tube Ø4	2m	-	B	C	D				
80	4	5				22	5966463.001	Tube Ø4	2m	-	B	C	D			
81	4					21	5966464.001	Tube Ø6	2m	-	B	C	D			
82	4					18	5966465.001	Tube Ø8	2m	-	B	C	D			
83	4		6	7		20	5966466.001	Tube Ø4	2m	-	B	C	D			
84				8	83	5966524.001	Bracket	1	-	-	-	-	B			
85	3				7	5970013.001	Adapter Profile	1	-	-	-	-				
86	3				4	5970491.001	Base Plate	1	-	-	-	-				
87		5				40	5971416.001	PCB Applicator Interfaces	1	-	B	C	D			
88			6	7		48	5972117.001	Guard Plate	1	-	-	-	-			
89				8	64.1	5972157.001	Guid Rail	1	-	-	-	-	A			
90			6	7		50	5972158.001	Cylinder Holder	1	-	-	-	-			
91		5				45.1	5972367.001	EEPROM	1	-	-	-	-	C		
92		5				45.2	5972368.001	EEPROM	1	-	-	-	-	D		
93	4					24	5976156.001	Valve Block	1	-	-	-	-			
94				8	64.2	5979307.001	Guide Rail	1	-	-	-	-	B			

## 8 Packaging / Accessories

Pos	Figure/Page				No.	Part No.	Description	PU	SPR				Notes	Serial No.		
														from	to	
95						9109134.001	Packaging	1	-	-	-	-				

PU Package unit

Note

SPR Recommendation

A - wearing parts and accessories

B - recommended spare parts for quick repair

C - recommended spare parts for distributors

D - recommended spare parts for central stores

A	300
B	400
C	4126C
D	4136C
O	Option