

Spare Parts List



Fron-Side Applicator

3014 / 3016

Family	Type
Stroke Applicator	3014
	3016

Table of Contents

1 Retainer Assembly.....	3
2 Pneumatics Retainer Assembly	4
3 Electronics Retainer Assembly	5
4 Swing Arm Assembly	6
5 Spare parts register	7
6 Packaging / Accessories.....	8

Edition: 07/2021 - Part.-No. 9003706

Copyright

This documentation as well as translation hereof are property of cab Produkttechnik GmbH & Co. KG.

The replication, conversion, duplication or divulgement of the whole manual or parts of it for other intentions than its original intended purpose demand the previous written authorization by cab.

Editor

Regarding questions or comments please contact cab Produkttechnik GmbH & Co. KG.

Topicality

Due to the constant further development of our products discrepancies between documentation and product can occur. Please check www.cab.de for the latest update.

Terms and conditions

Deliveries and performances are effected under the General conditions of sale of cab.

Germany
cab Produkttechnik GmbH & Co KG
Karlsruhe
Phone +49 721 6626 0
www.cab.de

USA
cab Technology, Inc.
Chelmsford, MA
Phone +1 978 250 8321
www.cab.de/us

Taiwan
cab Technology Co., Ltd.
Taipei
Phone +886 (02) 8227 3966
www.cab.de/tw

China
cab (Shanghai) Trading Co., Ltd.
Guangzhou
Phone +86 (020) 2831 7358
www.cab.de/cn

France
cab Technologies S.à.r.l.
Niedermodern
Phone +33 388 722501
www.cab.de/fr

Mexico
cab Technology, Inc.
Juárez
Phone +52 656 682 4301
www.cab.de/es

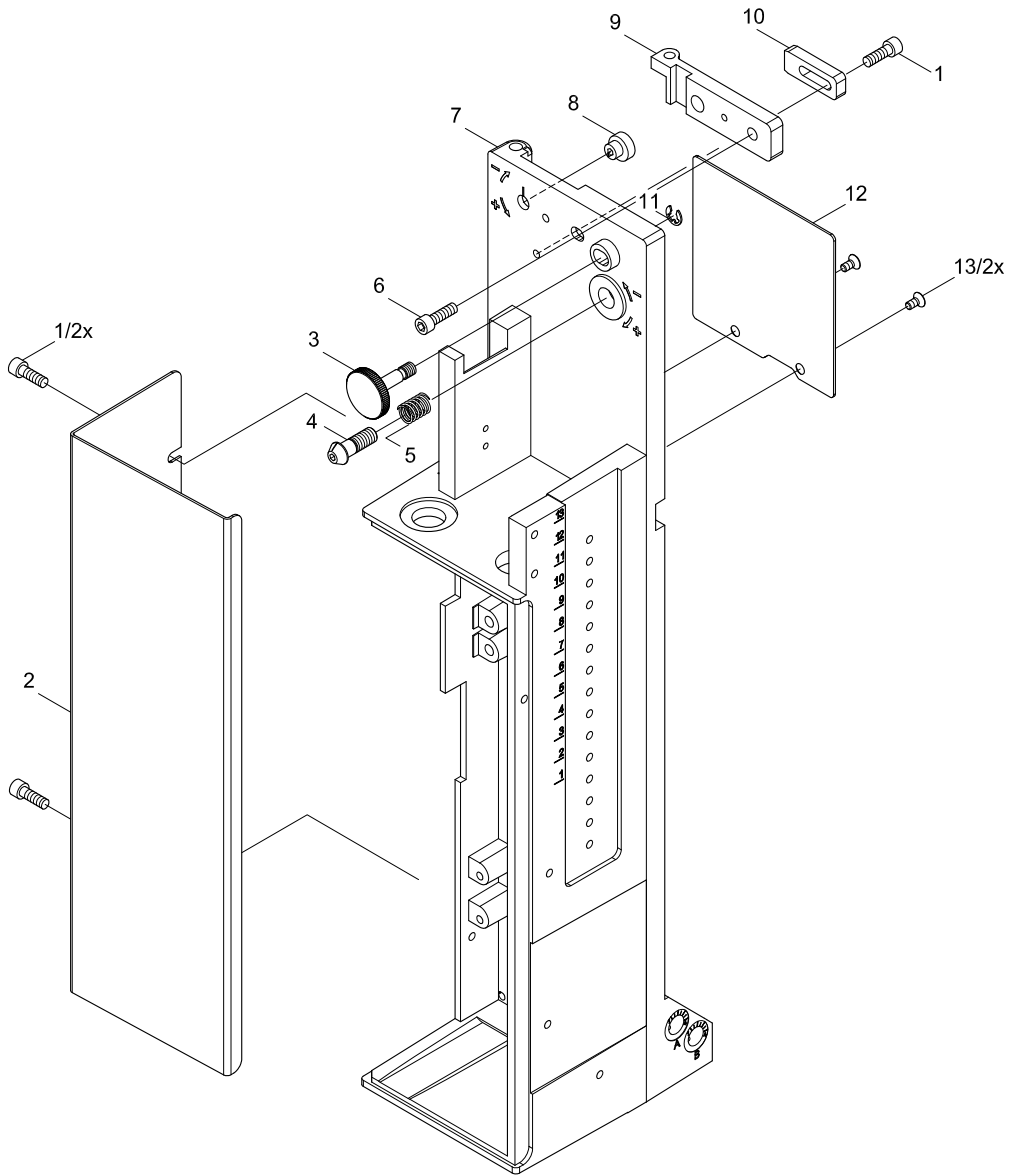
China
cab (Shanghai) Trading Co., Ltd.
Shanghai
Phone +86 (021) 6236 3161
www.cab.de/cn

South Africa
cab Technology (Pty) Ltd.
Randburg
Phone +27 11 886 3580
www.cab.de/za

No.	Part-No.	Description	PU	Note	Serial No.	
					from	to
1	5902489.001	Screw DIN7984-M4x8	10			
2.1	5964129.001	Cover	1	L		
2.2	5964260.001	Cover	1	R		
3	5964367.001	Knurled Screw	1			
4	5965963.001	Set Screw	1			
5	5904544.001	Spring	10			
6	5902241.001	Screw DIN7984-M4x10	10			
7.1	5970261.001	Mounting Plate	1	L		
7.2	5970266.001	Mounting Plate	1	R		

No.	Part-No.	Description	PU	Note	Serial No.	
					from	to
8	5966530.001	Eccentric	1			
9.1	5966529.001	Hinges	1	L		
9.2	5966531.001	Hinges	1	R		
10	5964090.001	Interlock	1			
11	5903525.001	E-Ring DIN 6799-4	10			
12.1	5964429.001	Plate	1	L		
12.2	5964438.001	Plate	1	R		
13	5902021.001	Screw DIN7991-M3x6	10			

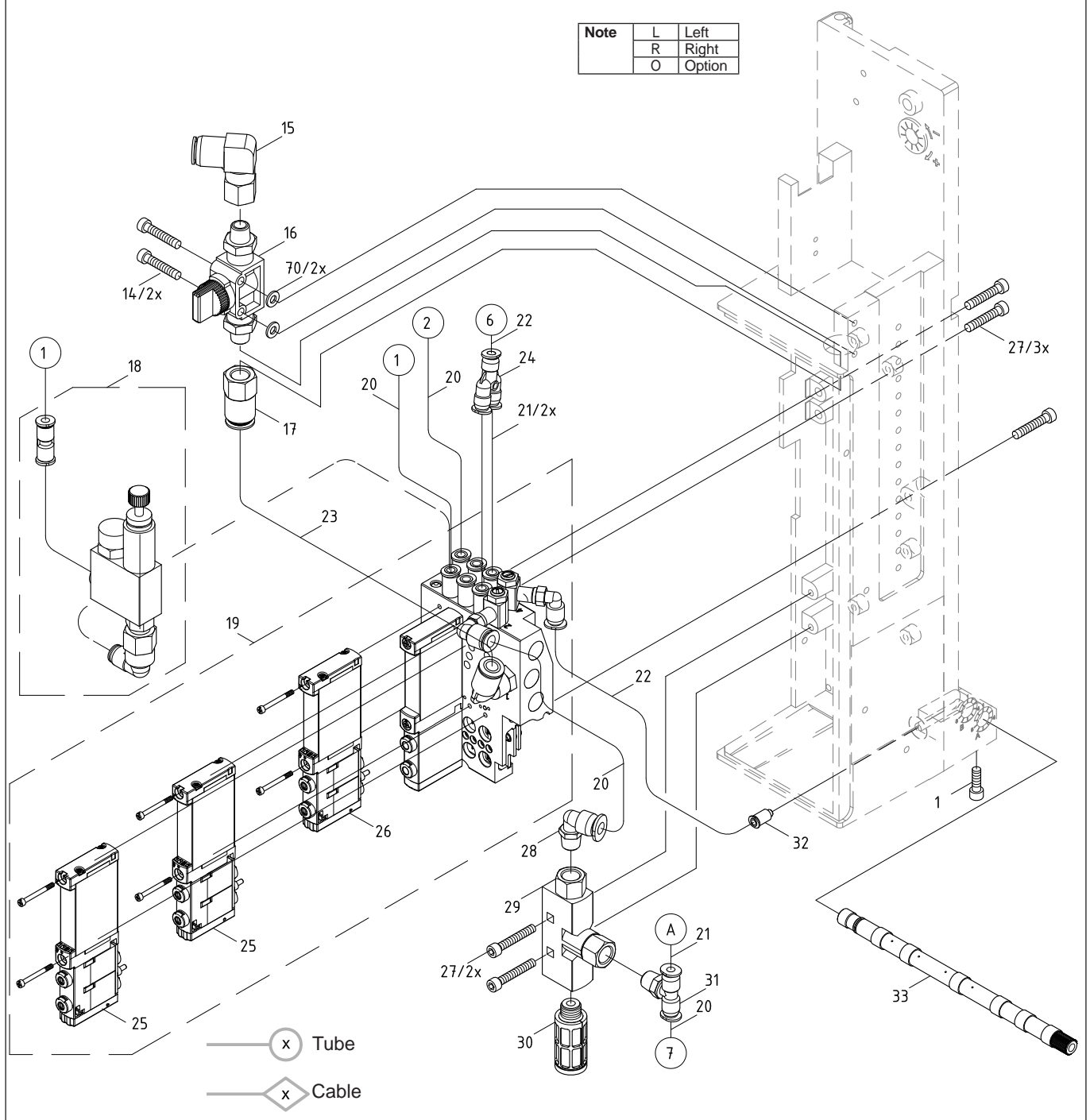
Note	L	Left
	R	Right



No.	Part-No.	Description	PU	Note	Serial No.	
					from	to
1	5902489.001	Screw DIN7984-M4x8	10			
14	5902863.001	Screw DIN7984-M4x25	10			
15	5905285.001	Push-in L-Connector	1			
16	5905284.001	Shut-off valve	1			
17	5906656.001	Push-in/threaded Fitting	1			
18	5966414.001	Pressure Regulator	1	O		
19.1	5907276.001	Valve Block	1	L		
19.2	5907274.001	Valve Block	1	R		
20	5966460.001	Tube Ø4	2m			
21	5966463.001	Tube Ø4	2m			
22	5966464.001	Tube Ø6	2m			
23	5966465.001	Tube Ø8	2m			
24	5905972.001	Push-in Y-Fitting	1			

No.	Part-No.	Description	PU	Note	Serial No.	
					from	to
25	5907428.001	Magnetic Valve	1			
26	5907429.001	Magnetic Valve	1			
27	5902862.001	Screw DIN7984-M4x20	10			
28	5905317.001	Push-in L-Connector	1			
29	5906844.001	Vacuum Generator	1			
30	5905257.001	Silencer	1			
31	5905338.001	Push-in T-Connector	1			
32	5905283.001	Push-in/threaded Fitting	1			
33.1	5964277.001	Blow Tube 2"	1			
33.2	5964095.001	Blow Tube 4"	1			
33.3	5964614.001	Blow Tube 6"	1			
70	5903089.001	Washer DIN988-4x8x1,0	10		15637	

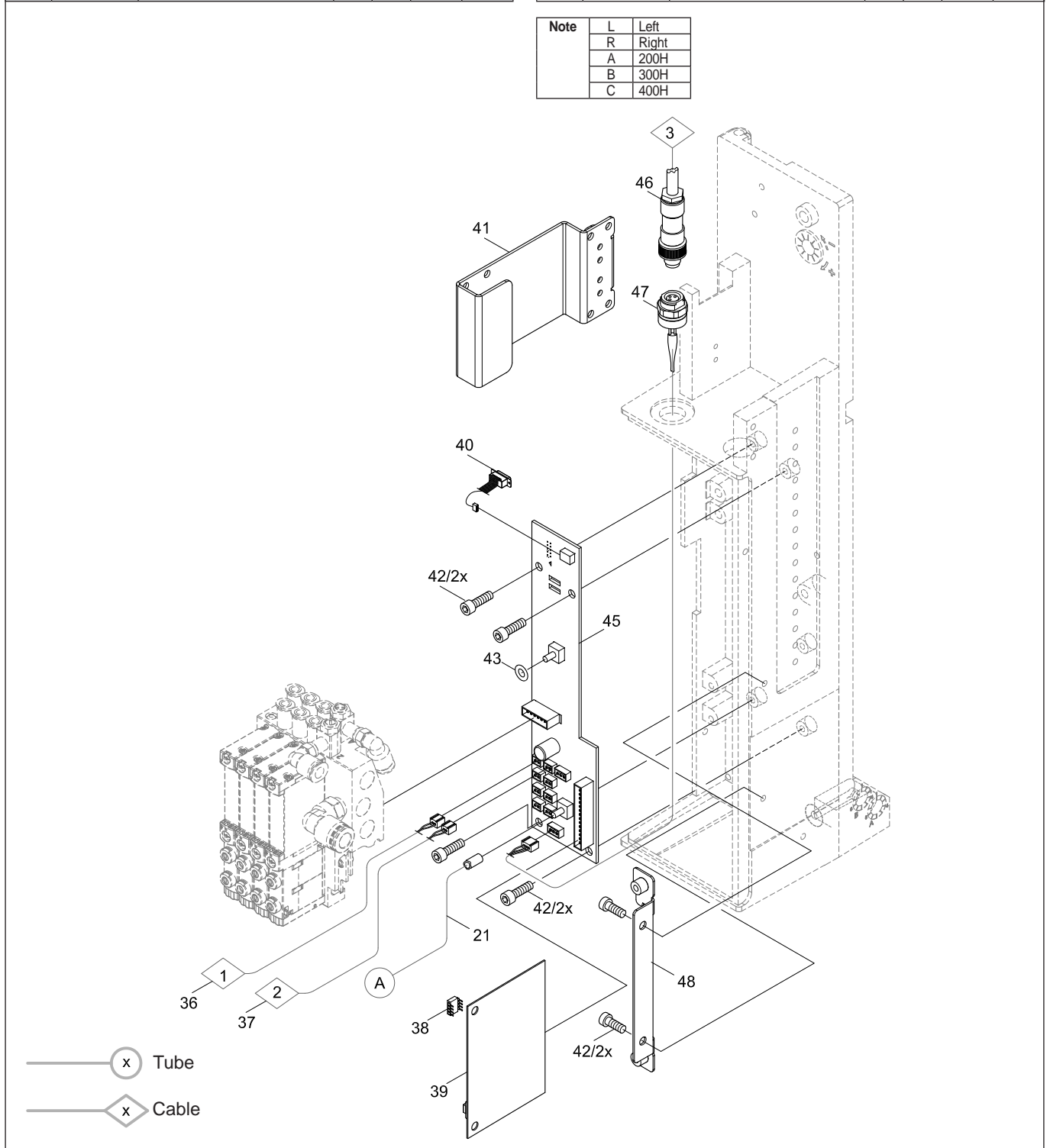
Note	L	Left
	R	Right
	O	Option



No.	Part-No.	Description	PU	Note	Serial No.	
					from	to
21	5966463.001	Tube Ø4	2m			
36.1	5979485.001	Sensor	1	A		
36.2	5979263.001	Sensor	1	B		
36.3	5970198.001	Sensor	1	C		
37.1	5979486.001	Sensor	1	A		
37.2	5979264.001	Sensor	1	B		
37.3	5970199.001	Sensor	1	C		
38	5970015.001	EEPROM	1			
39	5955575.001	Applicator Control	1			
40	5955586.001	Cable	1			
41	5971102.001	Cable Retainer	1			

No.	Part-No.	Description	PU	Note	Serial No.	
					from	to
42	5902571.001	Screw DIN7984-M4x6	10			
43	5906943.001	Sealing Ring	1			
45.1	5955579.001	PCB Applicator Interfaces	1	L		6123
45.2	5971416.001	PCB Applicator Interfaces	1	L	6124	
45.3	5964188.001	PCB Applicator Interface	1	R		6123
45.4	5971417.001	PCB Applicator interfaces	1	R	6124	
46.1	5979487.001	Cable	1	A		
46.2	5970208.001	Cable	1	B		
46.3	5971123.001	Cable	1	C		
47	5970246.001	Sensor Adapter	1			
48	5966417.001	Retainer	1			

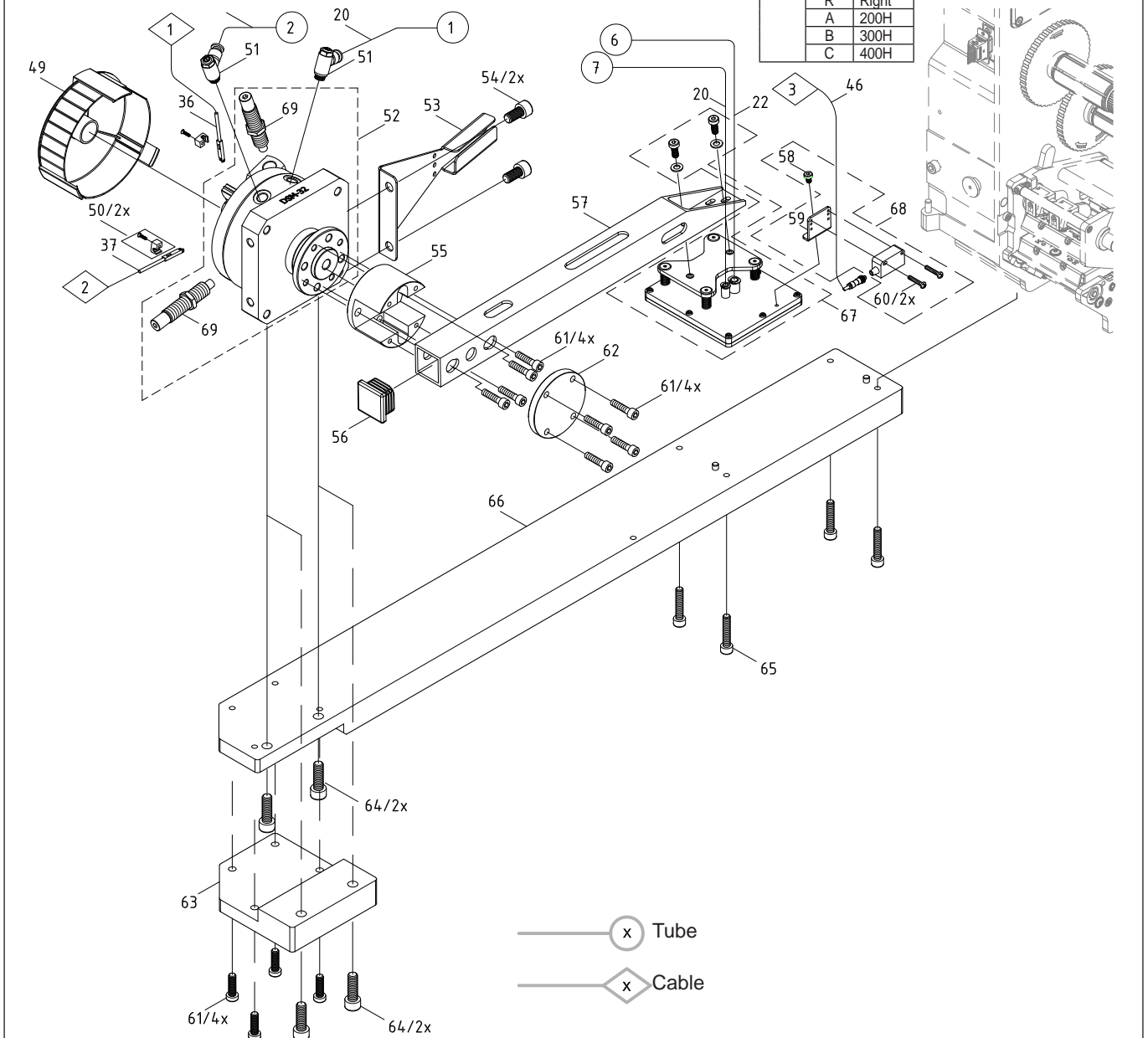
Note	L	Left
	R	Right
	A	200H
	B	300H
	C	400H



No.	Part-No.	Description	PU	Note	Serial No.	
					from	to
20	5966460.001	Tube Ø4	2m			
22	5966464.001	Tube Ø6	2m			
36.1	5979485.001	Sensor	1	A		
36.2	5979263.001	Sensor	1	B		
36.3	5970198.001	Sensor	1	C		
37.1	5979486.001	Sensor	1	A		
37.2	5979264.001	Sensor	1	B		
37.3	5970199.001	Sensor	1	C		
46.1	5971122.001	Cable	1	A		
46.2	5970208.001	Cable	1	B		
46.3	5971123.001	Cable	1	C		
49	5907071.001	Cover	1			
50	5907061.001	Sensor Retainer	1			
51	5905956.001	One-way Flow Control Valve	1			
52	5907069.001	Swing Drive	1			
53	5907166.001	Tube Retainer	1	G/C		
54	5902199.001	Screw DIN912-M8x14	10			
55	5970116.001	Retainer	1			
56	5907083.001	Stopper 34x34	1			
57.1	5970096.001	Lever	1	A		

No.	Part-No.	Description	PU	Note	Serial No.	
					from	to
57.2	5970094.001	Lever	1	B		
57.3	5971103.001	Lever	1	C		
58	5902358.001	Screw DIN7984-M4x6	10			
59	5970079.001	Bracket	1			
60	5902018.001	Screw DIN912-M3x16	10			
61	5902178.001	Screw DIN912-M6x20	10			
62	5970092.001	Flange	1			
63	5970257.001	Adapter Plate	1			
64	5902248.001	Screw DIN912-M8x25	10			
65	5902082.001	Screw DIN912-M6x30	10			
66.1	5971104.001	Support	1	L/A		
66.2	5971109.001	Support	1	R/A		
66.3	5970253.001	Support	1	L/B		
66.4	5970256.001	Support	1	R/B		
66.5	5970193.001	Support	1	L/C		
66.6	5971111.001	Support	1	R/C		
67		Tamp (customized)	1			
68	5970263.001	Sensor Product Detecting	1			
69	5907249.001	Shock Absorber	1			

Note	L	Left
	R	Right
	A	200H
	B	300H
	C	400H



Pos.	Figure/Page		No.	Part No.	Description	PU	SPR				Notes	Serial No.	
												from	to
1			6	60	5902018.001	Screw DIN912-M3x16	10	-	-	-	-		
2	3			13	5902021.001	Screw DIN7991-M3x6	10	-	-	-	-		
3			6	65	5902082.001	Screw DIN912-M6x30	10	-	-	-	-		
4			6	61	5902178.001	Screw DIN912-M6x20	10	-	-	-	-		
5			6	54	5902199.001	Screw DIN912-M8x14	10	-	-	-	-		
6	3			6	5902241.001	Screw DIN7984-M4x10	10	-	-	-	-		
7			6	64	5902248.001	Screw DIN912-M8x25	10	-	-	-	-		
8			6	58	5902358.001	Screw DIN7984-M4x6	10	-	-	-	-		
9	3	4		1	5902489.001	Screw DIN7984-M4x8	10	-	-	-	-		
10			5	42	5902571.001	Screw DIN7984-M4x6	10	-	-	-	-		
11		4		27	5902862.001	Screw DIN7984-M4x20	10	-	-	-	-		
12		4		14	5902863.001	Screw DIN7984-M4x25	10	-	-	-	-		
13					5903089.001	Washer DIN988-4x8x1,0	11	-	-	-	-	15637	
14	3			11	5903525.001	E-Ring DIN 6799-4	10	-	-	-	-		
15	3			5	5904544.001	Spring	10	-	-	-	-		
16		4		30	5905257.001	Silencer	1	A	B	C	D		
17		4		32	5905283.001	Push-in/threaded Fitting	1	-	-	-	-		
18		4		16	5905284.001	Shut-off valve	1	-	-	-	-		
19		4		15	5905285.001	Push-in L-Connector	1	-	-	-	-		
20		4		28	5905317.001	Push-in L-Connector	1	-	-	-	-		
21		4		31	5905338.001	Push-in T-Connector	1	-	-	-	-		
22			6	51	5905956.001	One-way Flow Control Valve	1	-	-	C	D		
23		4		24	5905972.001	Push-in Y-Fitting	1	-	-	-	-		
24		4		17	5906656.001	Push-in/threaded Fitting	1	-	-	-	-		
25		4		29	5906844.001	Vacuum Generator	1	-	-	-	-		
26			5	43	5906943.001	Sealing Ring	10	-	-	-	-		
27			6	50	5907061.001	Sensor Retainer	1	-	-	-	-		
28			6	52	5907069.001	Swing Drive	1	-	-	C	D		
29			6	49	5907071.001	Cover	1	-	-	C	D		
30			6	56	5907083.001	Stopper 34x34	1	-	-	-	-		
31			6	69	5907249.001	Shock Absorber	1	-	-	C	D		
32		4		19.2	5907274.001	Valve Block	1	-	-	C	D	R	
33		4		19.1	5907276.001	Valve Block	1	-	-	C	D	L	
34		4		25	5907428.001	Magnetic Valve	1	-	B	C	D		
35		4		26	5907429.001	Magnetic Valve	1	-	B	C	D		
36			5	39	5955575.001	Applicator Control	1	-	-	C	D		
37			5	45.1	5955579.001	PCB Applicator Interfaces	1	-	-	C	D	L	
38			5	40	5955586.001	Cable	1	-	-	C	D		6123
39	3			10	5964090.001	Interlock	1	-	-	-	-		
40		4		33.2	5964095.001	Blow Tube 4"	1	-	-	-	-		
41	3			2.1	5964129.001	Cover	1	-	-	-	-	L	
42			5	45.3	5964188.001	PCB Aplicator Interface	1	-	-	-	-	R	
43	3			2.2	5964260.001	Cover	1	-	-	-	-	R	6123
44		4		33.1	5964277.001	Blow Tube 2"	1	-	-	-	-		
45	3			3	5964367.001	Knurled Screw	1	-	-	-	-		
46	3			12.1	5964429.001	Plate	1	-	-	-	-	L	
47	3			12.2	5964438.001	Plate	1	-	-	-	-	R	
48		4		33.3	5964614.001	Blow Tube 6"	1	-	-	-	-		
49	3			4	5965963.001	Set Screw	1	-	-	-	-		
50		4		18	5966414.001	Pressure Regulator	1	-	-	-	-	O	
51			5	48	5966417.001	Retainer	1	-	-	-	-		
52		4	6	20	5966460.001	Tube Ø4	2m	-	B	C	D		
53		4	5	21	5966463.001	Tube Ø4	2m	-	B	C	D		
54		4	6	22	5966464.001	Tube Ø6	2m	-	B	C	D		
55		4		23	5966465.001	Tube Ø8	2m	-	B	C	D		

PU Package unit

Note

L Left

R Right

SPR Recommendation

A 200

A - wearing parts and accessories

B 300

B - recommended spare parts for quick repair

C 400

C - recommended spare parts for distributors

O Option

D - recommended spare parts for central stores

Pos.	Figure/Page			No.	Part No.	Description	PU	SPR				Notes	Serial No.	
								from	to					
56	3			9.1	5966529.001	Hinges	1	-	-	-	-	L		
57	3			8	5966530.001	Eccentric	1	-	-	-	-			
58	3			9.2	5966531.001	Hinges	1	-	-	-	-	R		
59		5		38	5970015.001	EEPROM	1	-	-	-	-			
60			6	59	5970079.001	Bracket	1	-	-	-	-			
61			6	62	5970092.001	Flange	1	-	-	-	-			
62			6	57.2	5970094.001	Lever	1	-	-	-	-	B		
63			6	57.1	5970096.001	Lever	1	-	-	-	-	A		
64			6	55	5970116.001	Retainer	1	-	-	-	-			
65			6	53	5970166.001	Tube Retainer	1	-	-	-	-	G/C		
66			6	66.5	5970193.001	Support	1	-	-	-	-	L/C		
67		5	6	36.3	5970198.001	Sensor	1	-	-	-	-	C		
68		5	6	37.3	5970199.001	Sensor	1	-	-	-	-	C		
69		5	6	46.2	5970208.001	Cable	1	-	-	-	-	B		
70		5		47	5970246.001	Sensor Adapter	1	-	-	C	D			
71			6	66.3	5970253.001	Support	1	-	-	-	-	L/B		
72			6	66.4	5970256.001	Support	1	-	-	-	-	R/B		
73			6	63	5970257.001	Adapter Plate	1	-	-	-	-			
74	3			7.1	5970261.001	Mounting Plate	1	-	-	-	-	L		
75			6	68	5970263.001	Sensor Product Detecting	1	-	-	C	D			
76	3			7.2	5970266.001	Mounting Plate	1	-	-	-	-	R		
77		5		41	5971102.001	Cable Retainer	1	-	-	-	-			
78			6	57.3	5971103.001	Lever	1	-	-	-	-	C		
79			6	66.1	5971104.001	Support	1	-	-	-	-	L/A		
80			6	66.2	5971109.001	Support	1	-	-	-	-	R/A		
81			6	66.6	5971111.001	Support	1	-	-	-	-	R/C		
82			6	46.1	5971122.001	Cable	1	-	-	-	-	A		
83		5	6	46.3	5971123.001	Cable	1	-	-	-	-	C		
84		5		45.2	5971416.001	PCB Applicator Interfaces	1	-	B	C	D	L		
85		5		45.4	5971417.001	PCB Applicator interfaces	1	-	B	C	D	R	6124	
86		5	6	36.2	5979263.001	Sensor	1	-	-	-	-	B	6124	
87		5	6	37.2	5979264.001	Sensor	1	-	-	-	-	B		
88		5	6	36.1	5979485.001	Sensor	1	-	-	-	-	A		
89		5	6	37.1	5979486.001	Sensor	1	-	-	-	-	A		
90		5		46.1	5979487.001	Cable	1	-	-	-	-	A		

6 Packaging / Accessories

Pos.	Figure/Page			No.	Part No.	Description	PU	SPR				Notes	Serial No.	
								from	to					
91					5970995.001	Packaging	1	-	-	-	-			

PU Package unit

Note

L Left

R Right

A 200

B 300

C 400

O Option

SPR Recommendation

A - wearing parts and accessories

B - recommended spare parts for quick repair

C - recommended spare parts for distributors

D - recommended spare parts for central stores