

## Mounting Instruction

### External Label Sensor PCB (HERMES Q) (Part.-No. 5591816)

Edition: 02/2023 · Part.-No. 9003976

The external label sensor PCB is used to connect an external label sensor such as a label photocell.



#### Attention!

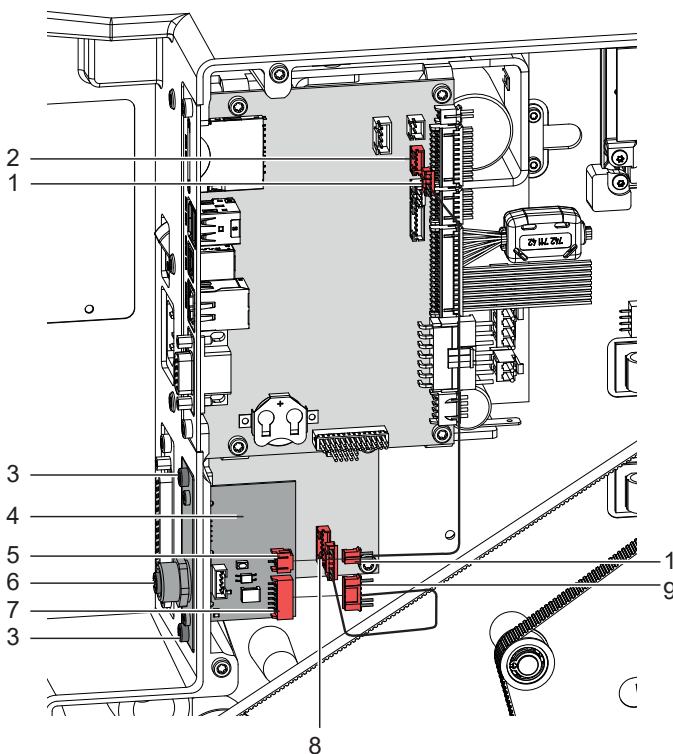
Printer firmware 5.37 or higher is required to operate the external label sensor PCB.

### Scope of delivery

External label sensor PCB (4) incl.

- 1 Cable supply LAN-Hub (9)
- 1 Cable supply external label sensor (1)

### Mounting



- ▶ Disconnect the device from the power supply.
- ▶ Disassemble the rear cover.
- ▶ Loosen the screws (3) and remove the existing cover plate.
- ▶ Push the external label sensor PCB into the open slot as shown and fasten it with the screws (3).
- ▶ Use the cable (1) to connect the PCB external label sensor (4) to the CPU main board. Female 2-pin connector to 2-pin terminal strip (7) on the external label sensor PCB (4) and female 4-pin connector to 4-pin terminal strip (8) on the CPU main board.
- ▶ Use the cable (9) to connect the external label sensor PCB (4) to the I/O PCB. Female 6-pin connector to 6-pin terminal strip (7) on the external label sensor PCB (4) and female 6-pin connector to 6-pin terminal strip (8) on the I/O PCB.
- ▶ Mount rear cover.
- ▶ Connect the external label sensor to the round socket (6).

M12, 5-pin, A coded

Pin assignment:

- 1 - 24V
- 2 - -/-
- 3 - GND
- 4 - Sensor Input (PNP, > 24V)
- 5 - FGND (PE)

Configuration in the printer menu

Firmware required: ab 5.37

 Menu →  Setup →  Labels →  Label sensor →

Distance 0 .. 400 mm, reference point is the print line

Germany  
**cab Produkttechnik GmbH & Co KG**  
Karlsruhe  
Phone +49 721 6626 0  
[www.cab.de](http://www.cab.de)

USA  
**cab Technology, Inc.**  
Chelmsford, MA  
Phone +1 978 250 8321  
[www.cab.de/us](http://www.cab.de/us)

Taiwan  
**cab Technology Co., Ltd.**  
Taipei  
Phone +886 (02) 8227 3966  
[www.cab.de/tw](http://www.cab.de/tw)

Singapore  
**cab Singapore Pte. Ltd.**  
Singapore  
Phone +65 6931 9099  
[www.cab.de/en](http://www.cab.de/en)

France  
**cab Technologies S.à.r.l.**  
Niedermodern  
Phone +33 388 722501  
[www.cab.de/fr](http://www.cab.de/fr)

Mexico  
**cab Technology, Inc.**  
Juárez  
Phone +52 656 682 4301  
[www.cab.de/es](http://www.cab.de/es)

China  
**cab (Shanghai) Trading Co., Ltd.**  
Shanghai  
Phone +86 (021) 6236 3161  
[www.cab.de/cn](http://www.cab.de/cn)

South Africa  
**cab Technology (Pty) Ltd.**  
Randburg  
Phone +27 11 886 3580  
[www.cab.de/za](http://www.cab.de/za)