

Spare Parts List



Perforation Cutter

PSQ 403

2 Spare Parts List for the following products

2

Part No.	Description	Type
5984130	Perforation Cutter	PSQ 403

Edition: 04/2023 - Part No. 9003918

Copyright

This documentation as well as translation hereof are property of cab Produkttechnik GmbH & Co. KG.

The replication, conversion, duplication or divulgement of the whole manual or parts of it for other intentions than its original intended purpose - in particular the procurement of spare parts for products sold by cab – demand the previous written authorization by cab.

Editor

Regarding questions or comments please contact cab Produkttechnik GmbH & Co. KG.

Topicality

Due to the constant further development of our products discrepancies between documentation and product can occur.

Please check www.cab.de for the latest update.

Terms and conditions

Deliveries and performances are effected under the "General conditions of sale of cab"

Contents

1	Spare Parts.....	3
2	Spare Parts Index.....	4
3	Packaging/Accessories.....	4

Germany
cab Produkttechnik GmbH & Co KG
Karlsruhe
Phone +49 721 6626 0
www.cab.de

USA
cab Technology, Inc.
Chelmsford, MA
Phone +1 978 250 8321
www.cab.de/us

Taiwan
cab Technology Co., Ltd.
Taipei
Phone +886 (02) 8227 3966
www.cab.de/tw

Singapore
cab Singapore Pte. Ltd.
Singapore
Phone +65 6931 9099
www.cab.de/en

France
cab Technologies S.à.r.l.
Niedermodern
Phone +33 388 722501
www.cab.de/fr

Mexico
cab Technology, Inc.
Juárez
Phone +52 656 682 4301
www.cab.de/es

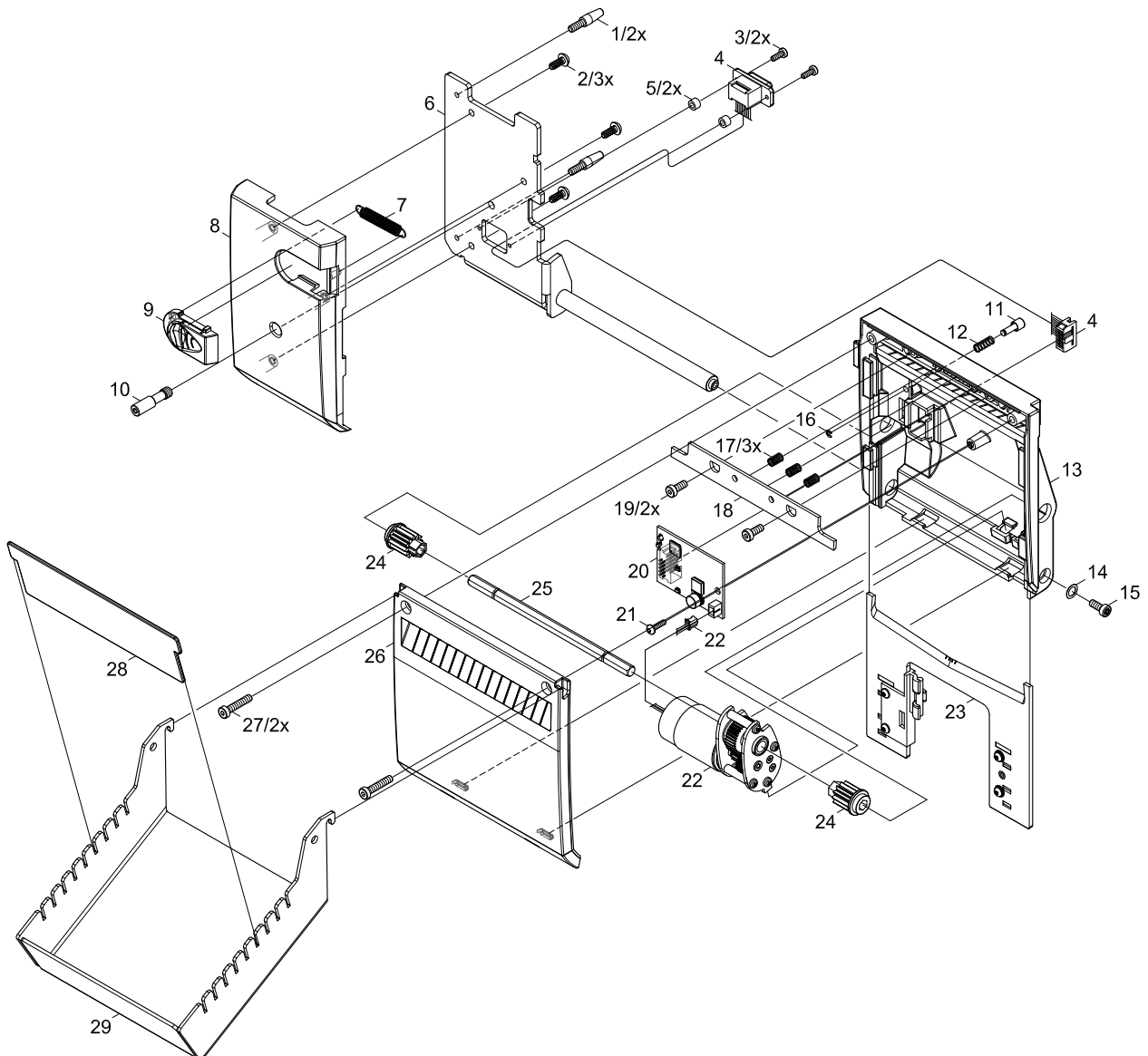
China
cab (Shanghai) Trading Co., Ltd.
Shanghai
Phone +86 (021) 6236 3161
www.cab.de/cn

South Africa
cab Technology (Pty) Ltd.
Randburg
Phone +27 11 886 3580
www.cab.de/za

No	Part No.	Description	PU	Note	Serial No.	
					from	to
1	5979633.001	Center Pin	1			
2	5902816.001	Screw EJOT-PT-K40x10	10			
3	5902867.001	Screw DIN7984-M3x8	10			
4	5984589.001	Cable	1			
5	5900549.001	Spacer Bushing PA M3x4	10			
6	5984571.001	Mounting Plate	1			
7	5905086.001	Spring	1			
8	5984577.001	Cover	1			
9	5984576.001	Slider	1			
10	5984574.001	Screw	1			
11	5984560.001	Pin	1			
12	5540637.001	Spring	10			
13	5984580.001	Chassis	1			
14	5984563.001	Washer	1			
15	5902592.001	Screw DIN7984-M4x10	10			

No	Part No.	Description	PU	Note	Serial No.	
					from	to
16	5903502.001	E-Ring DIN6799-2.3	10			
17	5541040.001	Spring	1	A		
18	5978541.001	Cutter Bar	1			
19	5902241.001	Screw DIN7984-M4x10	10			
20	5551336.001	PCB Cutter Electronics	1			
21	5902414.001	Screw EJOT-PT-K30x12	10			
22	5984564.001	Gear Motor	1			
23	5984584.001	Blade	1			
24	5965501.001	Gear Wheel Z12	1			
25	5984575.001	Shaft	1			
26	5984558.001	Cover	1			
27	5902420.001	Screw DIN7984-M4x20	10			
28	5984587.001	Plate	1			
29	5984567.001	Tray	1			

Notes	A	from SN 55982 = 3x to SN 55981 = 4x



Pos.	Figure/Page	Nr.	Part No.	Description	PU	SPR				Notes	Serial No.	
											from	to
1	3	12	5540637.001	Spring	10	-	-	-	-			
2	3	17	5541040.001	Spring	1	-	-	C	D			
3	3	20	5551336.001	PCB Cutter Electronics	1	-	-	-	-			
4	3	5	5900549.001	Spacer Bushing PA M3x4	10	-	-	-	-			
5	3	19	5902241.001	Screw DIN7984-M4x10	10	-	-	-	-			
6	3	21	5902414.001	Screw EJOT-PT-K30x12	10	-	-	-	-			
7	3	27	5902420.001	Screw DIN7984-M4x20	10	-	-	-	-			
8	3	15	5902592.001	Screw DIN7984-M4x10	10	-	-	-	-			
9	3	2	5902816.001	Screw EJOT-PT-K40x10	10	-	-	-	-			
10	3	3	5902867.001	Screw DIN7984-M3x8	10	-	-	-	-			
11	3	16	5903502.001	E-Ring DIN6799-2.3	10	-	-	-	-			
12	3	7	5905086.001	Spring	1	-	-	C	D			
13	3	24	5965501.001	Gear Wheel Z12	1	-	-	-	D			
14	3	18	5978541.001	Cutter Bar	1	A	B	C	D			
15	3	1	5979633.001	Center Pin	1	-	-	-	-			
16	3	26	5984558.001	Cover	1	-	-	-	-			
17	3	11	5984560.001	Pin	1	-	-	-	-			
18	3	14	5984563.001	Washer	1	-	-	-	-			
19	3	22	5984564.001	Gear Motor	1	-	-	C	D			
20	3	29	5984567.001	Tray	1	-	-	-	-			
21	3	6	5984571.001	Mounting Plate	1	-	-	-	-			
22	3	10	5984574.001	Screw	1	-	-	-	-			
23	3	25	5984575.001	Shaft	1	-	-	-	-			
24	3	9	5984576.001	Slider	1	-	-	-	-			
25	3	8	5984577.001	Cover	1	-	-	-	-			
26	3	13	5984580.001	Chassis	1	-	-	-	-			
27	3	23	5984584.001	Blade	1	A	B	C	D			
28	3	28	5984587.001	Plate	1	-	-	-	-			
29	3	4	5984589.001	Cable	1	-	-	C	D			

3 Packaging/Accessories

Pos.	Figure/Page	Nr.	Part No.	Description	PU	SPR				Notes	Serial No.	
											from	to
30	-		9109396.001	Packaging	1	-	-	-	D			
31	-	-	5978430.001	Grease Capsule 5g	1	A	B	C	D			

PU Package unit

Notes A from SN 55982 = 3x
to SN 55981 = 4x

SPR Recommendation

A - wearing parts and accessories

B - recommended spare parts for quick repair

C - recommended spare parts for distributors

D - recommended spare parts for central stores