

Spare Parts List



Swing-Stroke Applicator

4514

2 Spare parts list for the following products

2

Family	Type
Swing-Stroke Applicator	4514-200
	4514-300
	4514-400

Table of Contents

1	Retainer Assembly.....	3
2	Pneumatics Retainer Assembly.....	4
3	Electronics Retainer Assembly.....	5
4	Guiding Cylinder Assembly Z 200/300.....	6
5	Swing Drive.....	7
6	Swing Assembly and Additional Stroke.....	8
7	Cylinder Assembly Z.....	9
8	Spare parts register.....	10
9	Packaging.....	12

Edition: 02/2023 - Part.-No. 9003878

Copyright

This documentation as well as translation hereof are property of cab Produkttechnik GmbH & Co. KG.

The replication, conversion, duplication or divulgement of the whole manual or parts of it for other intentions than its original intended purpose demand the previous written authorization by cab.

Editor

Regarding questions or comments please contact cab Produkttechnik GmbH & Co. KG.

Topicality

Due to the constant further development of our products discrepancies between documentation and product can occur.

Please check www.cab.de for the latest update.

Terms and conditions

Deliveries and performances are effected under the General conditions of sale of cab.

Germany
cab Produkttechnik GmbH & Co KG
Karlsruhe
Phone +49 721 6626 0
www.cab.de

USA
cab Technology, Inc.
Chelmsford, MA
Phone +1 978 250 8321
www.cab.de/us

Taiwan
cab Technology Co., Ltd.
Taipei
Phone +886 (02) 8227 3966
www.cab.de/tw

Singapore
cab Singapore Pte. Ltd.
Singapore
Phone +65 6931 9099
www.cab.de/en

France
cab Technologies S.à.r.l.
Niedermodern
Phone +33 388 722501
www.cab.de/fr

Mexico
cab Technology, Inc.
Juárez
Phone +52 656 682 4301
www.cab.de/es

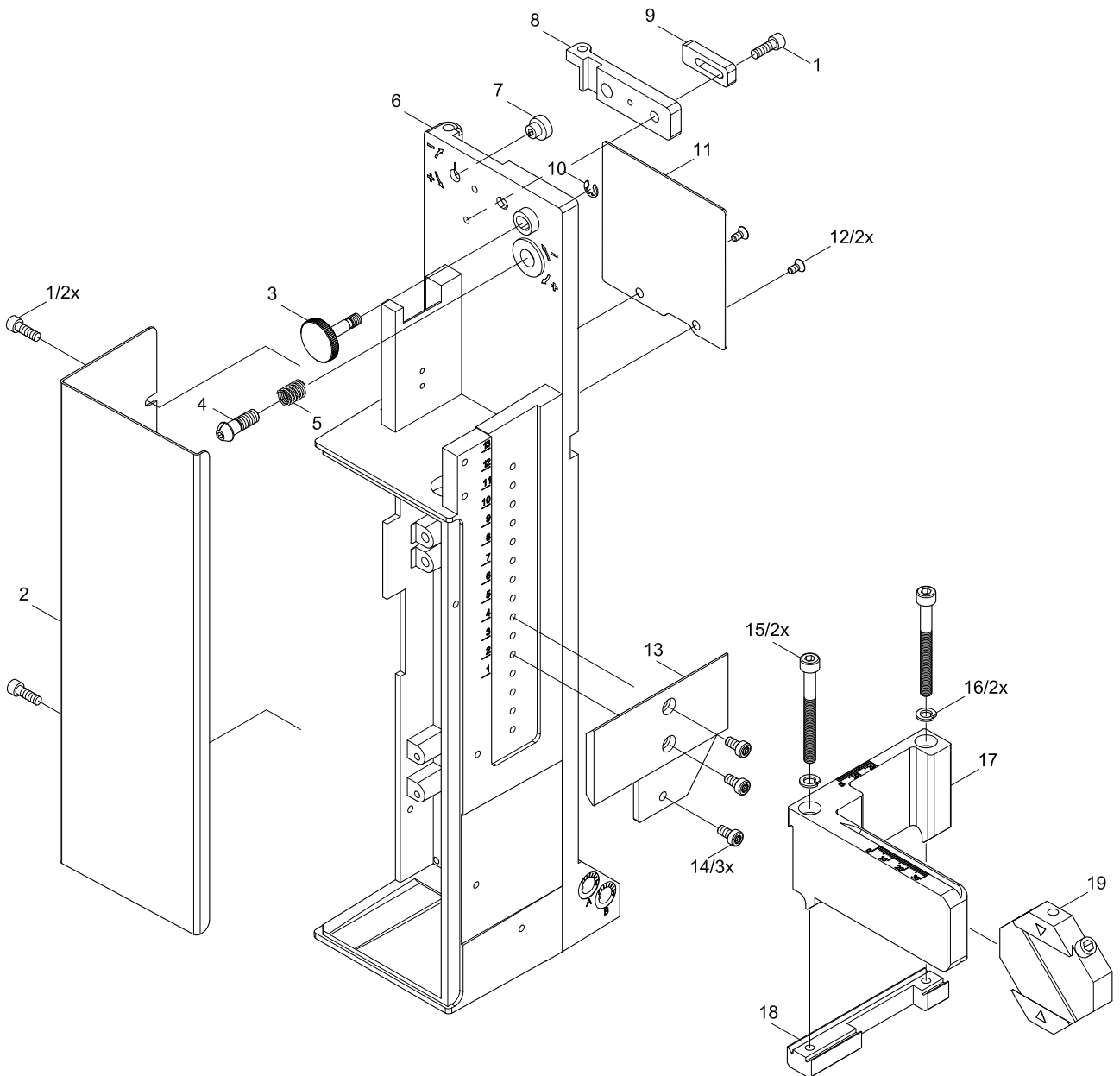
China
cab (Shanghai) Trading Co., Ltd.
Shanghai
Phone +86 (021) 6236 3161
www.cab.de/cn

South Africa
cab Technology (Pty) Ltd.
Randburg
Phone +27 11 886 3580
www.cab.de/za

No.	Part-No.	Description	PU	Note	Serial No.	
					from	to
1	5902489.001	Screw DIN7984-M4x8	10			
2	5964129.001	Cover	1			
3	5964367.001	Knurled Screw	1			
4	5965963.001	Set Screw	1			
5	5904544.001	Spring	10			
6.1	5964036.001	Mounting Plate	1	L		
6.2	5964185.001	Mounting Plate	1	R		
7	5966530.001	Eccentric	1			
8.1	5966529.001	Hinges	1	L		
8.2	5966531.001	Hinges	1	R		
9	5964090.001	Interlock	1			
10	5903525.001	E-Ring DIN 6799-4	10			

No.	Part-No.	Description	PU	Note	Serial No.	
					from	to
11.1	5964429.001	Plate	1	L		
11.2	5964438.001	Plate	1	R		
12	5902021.001	Screw DIN7991-M3x6	10			
13	5964318.001	Adapter Profile	1			
14	5902837.001	Screw DIN7984-M4x8	10			
15	5902167.001	Screw DIN912-M5x50	10			
16	5903061.001	Lock Washer DIN127-B5	10			
17.1	5964312.001	Crossbeam	1	L		
17.2	5964331.001	Crossbeam	1	R		
18.1	5964310.001	Clamping Element	1	L		
18.2	5964328.001	Clamping Element	1	R		
19	5964062.001	Binder	1			

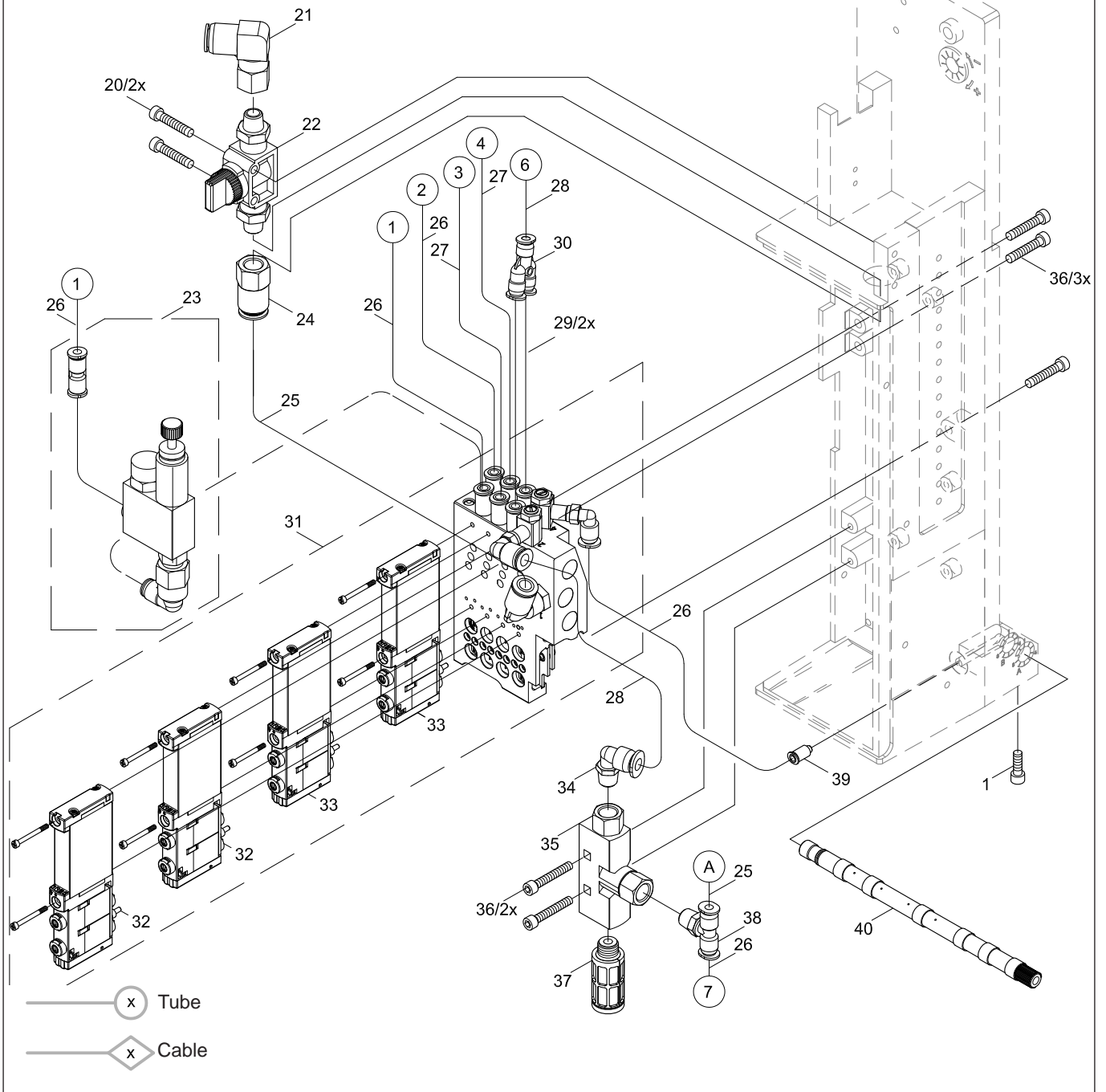
Note	L	Left
		R



No.	Part-No.	Description	PU	Note	Serial No.	
					from	to
1	5902489.001	Screw DIN7984-M4x8	10			
20	5902863.001	Screw DIN7984-M4x25	10			
21	5905285.001	Push-in L-Connector	1			
22	5905284.001	Shut-off valve	1			
23	5966414.001	Pressure Regulator	1	O		
24	5906842.001	Push-in/threaded Fitting	1			
25	5966465.001	Tube Ø8	2m			
26	5966460.001	Tube Ø4	2m			
27	5966466.001	Tube Ø4	2m			
28	5966464.001	Tube Ø6	2m			
29	5966463.001	Tube Ø4	2m			
30	5905972.001	Push-in Y-Fitting	1			

No.	Part-No.	Description	PU	Note	Serial No.	
					from	to
31.1	5907276.001	Valve Block	1	L		
31.2	5907274.001	Valve Block	1	R		
32	5907428.001	Magnetic Valve	1			
33	5907429.001	Magnetic Valve	1			
34	5906914.001	Push-in L-Connector	1			
35	5906844.001	Vacuum Generator	1			
36	5902862.001	Screw DIN7984-M4x20	10			
37	5905257.001	Silencer	1			
38	5906915.001	Push-in T-Connector	1			
39	5905283.001	Push-in/threaded Fitting	1			
40.1	5964277.001	Blow Tube 2"	1			
40.2	5964095.001	Blow Tube 4"	1			

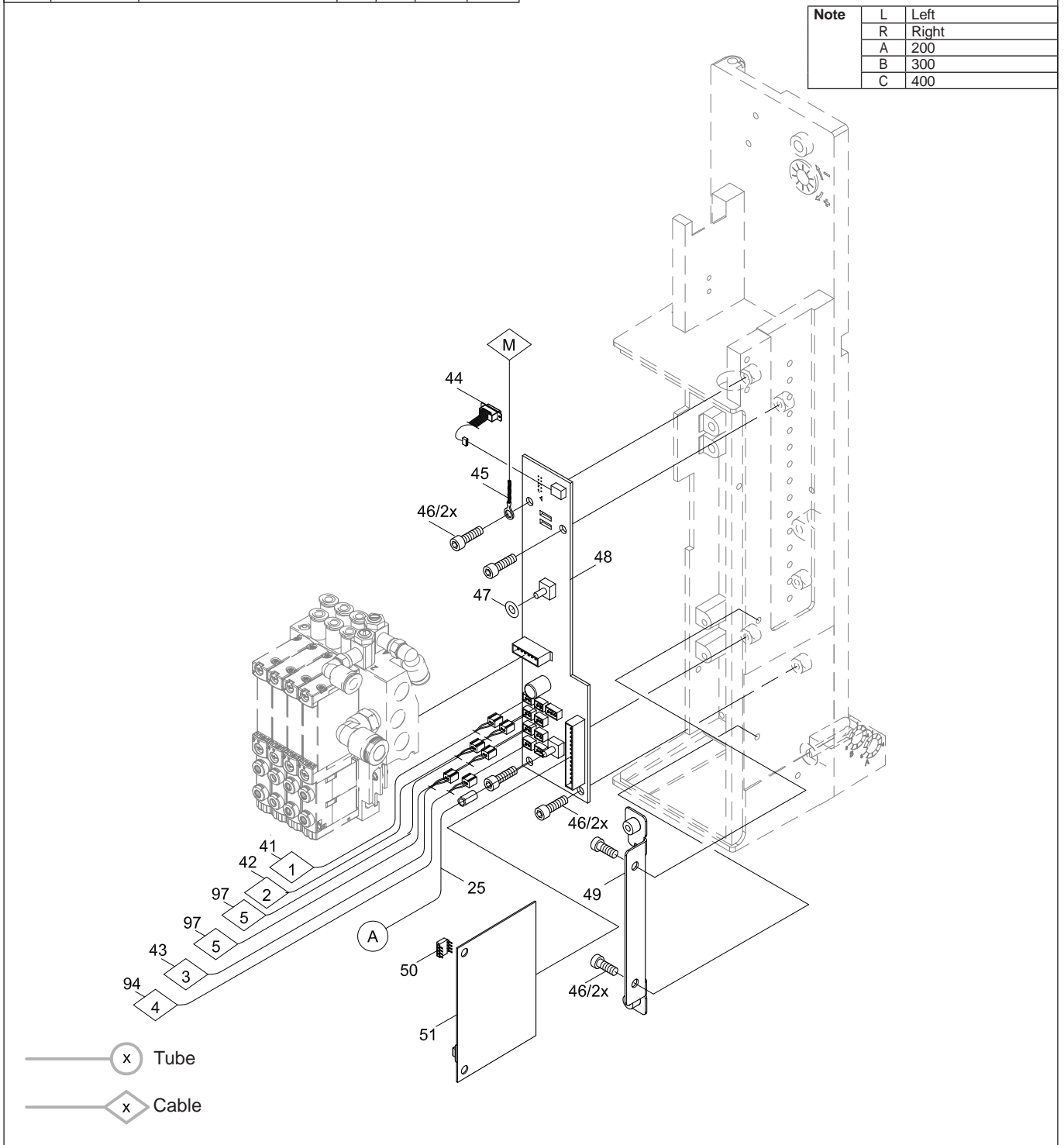
Note	L	Left
	R	Right
	O	Option



No.	Part-No.	Description	PU	Note	Serial No.	
					from	to
25	5966465.001	Tube Ø8	2m			
41.1	5964454.001	Sensor	1	A		
41.2	5964494.001	Sensor	1	B		
41.3	5964495.001	Sensor	1	C		
42.1	5964490.001	Sensor	1	A		
42.2	5964594.001	Sensor	1	B/C		
43.1	5966437.001	Sensor	1	A		
43.2	5966442.001	Sensor	1	B		
44	5955586.001	Cable	1			
45.1	5964590.001	Cable	1	A		
45.2	5964591.001	Cable	1	B		
45.3	5964592.001	Cable	1	C		

No.	Part-No.	Description	PU	Note	Serial No.	
					from	to
46	5902571.001	Screw DIN7984-M4x6	10			
47	5906943.001	Sealing Ring	10			
48.1	5971416.001	PCB Applicator Interfaces	1	L		
48.2	5971417.001	PCB Applicator interfaces	1	R		
49	5966417.001	Retainer	1			
50	5966514.001	EEPROM	1			
51	5955575.001	Applicator Control	1			
94.1	5966964.001	Sensor	1	A/B		
94.2	5970198.001	Sensor	1	C		
97	5966443.001	Sensor	1	B/C		

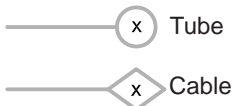
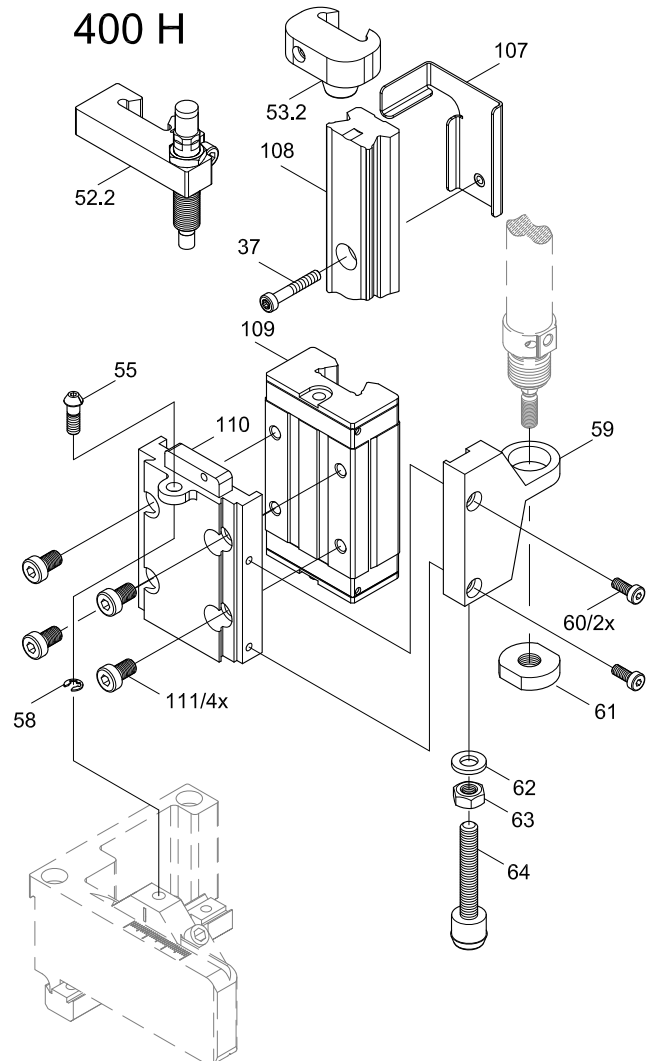
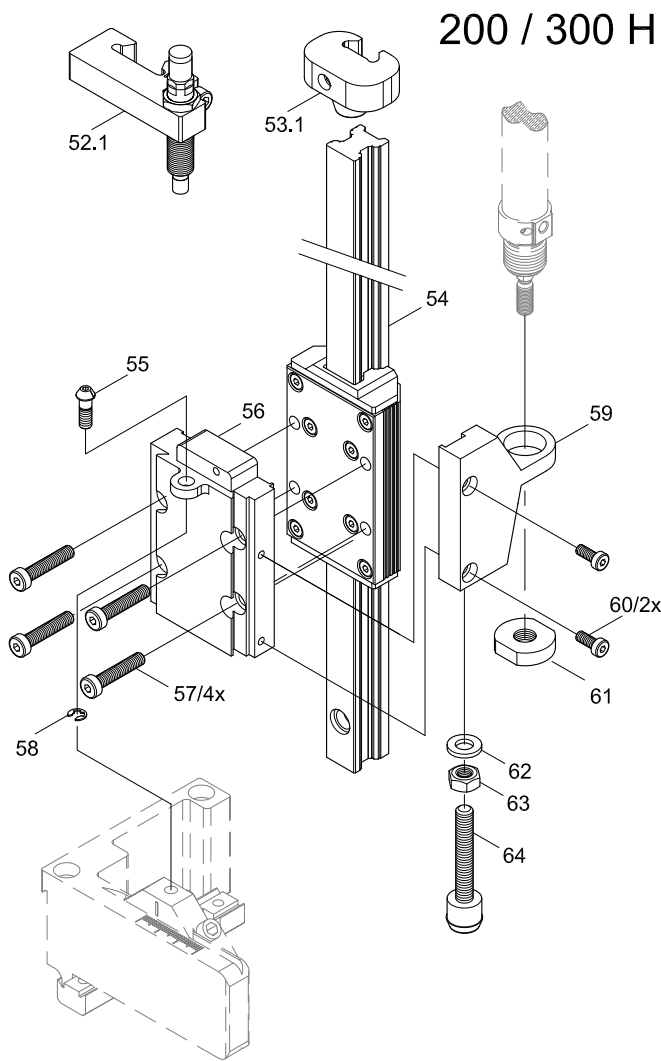
Note	L	Left
	R	Right
	A	200
	B	300
	C	400



No.	Part-No.	Description	PU	Note	Serial No.	
					from	to
52.1	5979483.001	Stopper	1	O		
52.2	5964343.001	Stopper	1	O		
53.1	5979353.001	Stopper	1	A/B		
53.2	5964364.001	Stopper	1	C		
54.1	5979331.001	Guide Rail with Carriage	1	A		
54.2	5979342.001	Guide Rail with Carriage	1	B		
55	5964061.001	Set Screw	1			
56.1	5979349.001	Plate	1	L		
56.2	5979417.001	Plate	1	R		
57	5902827.001	Screw DIN7984-M5x25	10			
58	5903505.001	E-Ring DIN6799-5	10			
59.1	5964301.001	Holder	1	L		
59.2	5964336.001	Holder	1	R		

No.	Part-No.	Description	PU	Note	Serial No.	
					from	to
60	5902562.001	Screw DIN7984 M4x14	10			
61	5521159.001	Nut	1			
62	5903040.001	Washer DIN125-A6,4	10			
63	5902504.001	Nut DIN934-M6	10			
64	5964349.001	Stopper	1			
107.1	5966524.001	Bracket	1	L		
107.2	5966528.001	Bracket	1	R		
108	5964307.001	Guide Rail	1			
109	5965966.001	Sliding Carriage	1			
110.1	5964302.001	Plate	1	L		
110.2	5964337.001	Plate	1	R		
111	5902375.001	Screw DIN7984-M6x10	10			

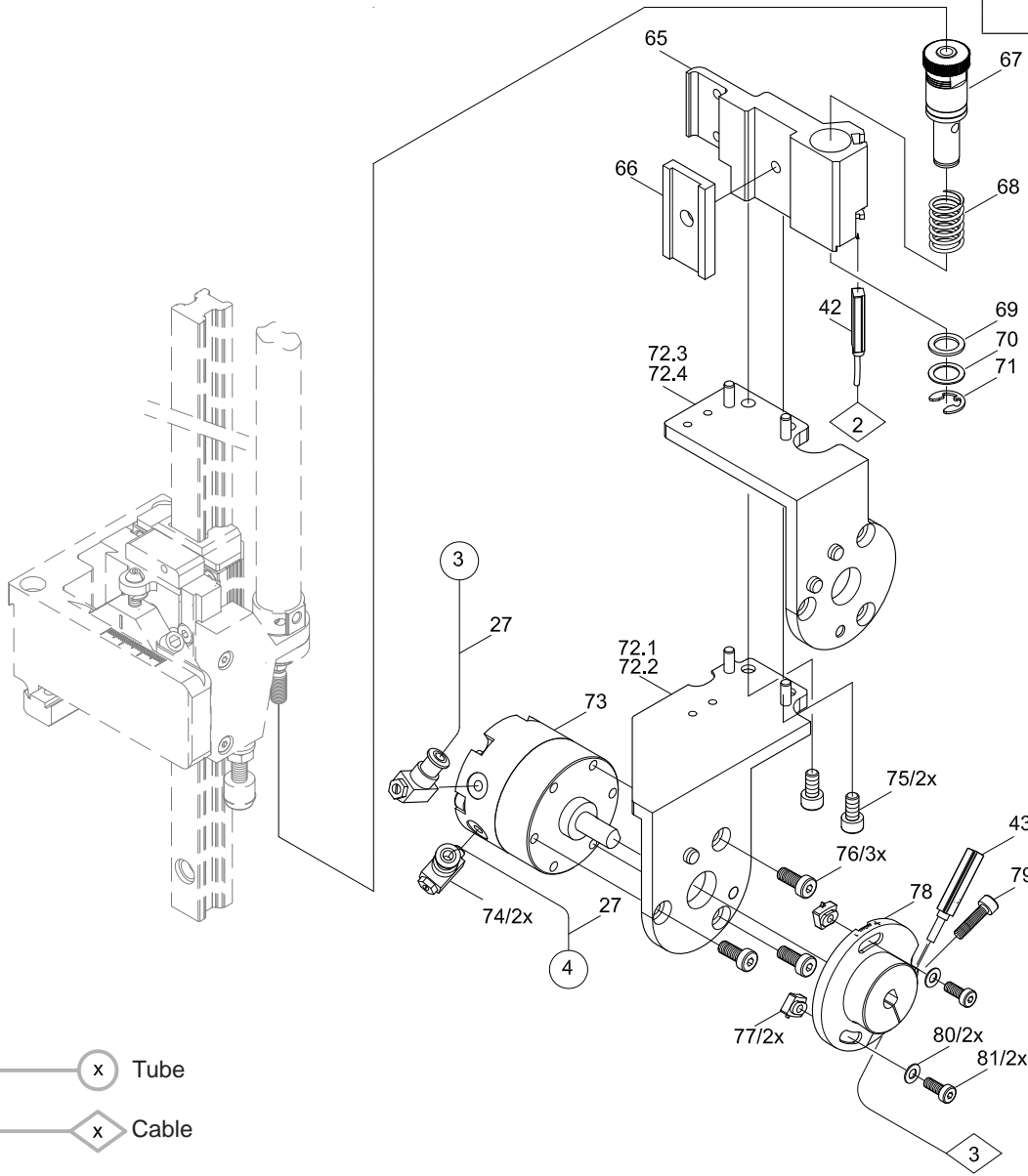
Note	L	Left
	R	Right
	C	200
	D	300



No.	Part-No.	Description	PU	Note	Serial No.	
					from	to
27	5966466.001	Tube Ø4	2m			
42.1	5964490.001	Sensor	1	A		
42.2	5964594.001	Sensor	1	B/C		
43.1	5966437.001	Sensor	1	A		
43.2	5966442.001	Sensor	1	B		
65.1	5964236.001	Tamp Retainer	1	L		
65.2	5964241.001	Tamp Retainer	1	R		
66	5979327.001	Adapter Rail	1			
67	5955707.001	Adapter Bolt	1			
68.1	5905069.001	Spring	1	M1		
68.2	5905049.001	Spring	1	M2/O		
69	5521157.001	Washer	1			
70	5521158.001	Washer	1			
71	5903501.001	E-Ring DIN799-7	10			

No.	Part-No.	Description	PU	Note	Serial No.	
					from	to
72.1	5966516.001	Bracket	1	L		
72.2	5966958.001	Bracket	1	R		
72.3	5979053.001	Bracket	1	D		
72.4	5972695.001	Bracket	1	E		
73	5905395.001	Swing Drive	1			
74	5906636.001	One-way Flow Control Valve	1			
75	5902138.001	Screw DIN912-M5x10	10			
76	5902476.001	Screw DIN7984-M5x12	10			
77	5966522.001	Stopper Plate	1			
78.1	5966520.001	Swing Plate	1	L		
78.2	5966961.001	Swing Plate	1	R		
79	5902565.001	Screw DIN7984-M4x10	10			
80	5903089.001	Washer DIN988-4x8x1,0	10			
81	5902358.001	Screw DIN7984-M4x6	10			

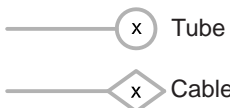
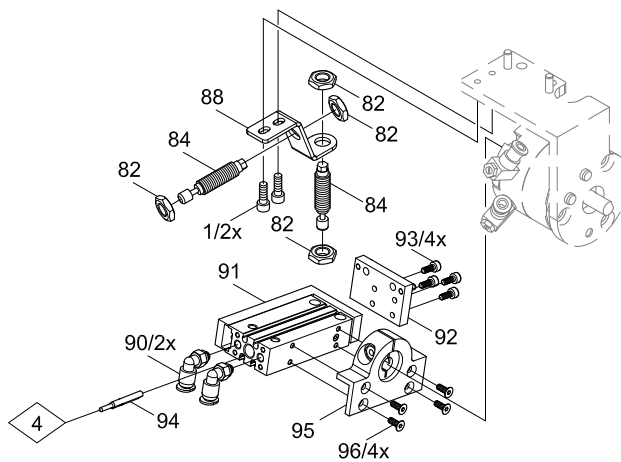
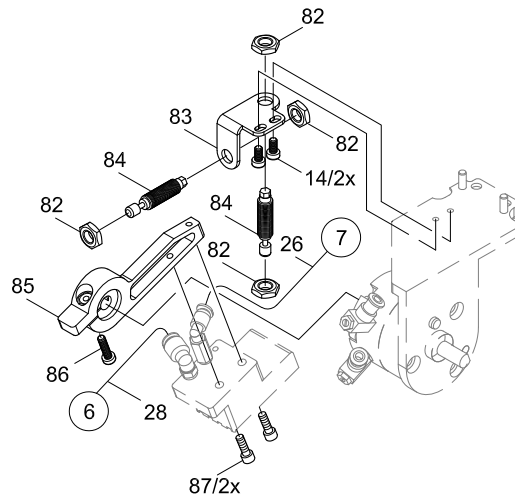
Note	
L	Left
R	Right
A	200
B	300
C	400
D	stroke backwards
E	stroke forward
M1	Appl. top down / horizontal
M2	Appl. upward
O	Option



No.	Part-No.	Description	PU	Note	Serial No.	
					from	to
1	5902489.001	Screw DIN7984-M4x8	10			
14	5902837.001	Nut DIN934-M8x1	10			
82	5902852.001	Holder	10			
83.1	5966521.001	Holder	1	L/E		
83.2	5966959.001	Shock Absorber	1	R/E		
84	5906664.001	Pivot Arm	1			
85.1	5966518.001	Pivot Arm	1	L		
85.2	5966953.001	Screw DIN912-M4x16	1	R		
86	5902017.001	Screw DIN7984-M4x10	10			
87	5902241.001	Mount	10	D/E		

No.	Part-No.	Description	PU	Note	Serial No.	
					from	to
88	5972692.001	Screw DIN7984-M4x8	1			
90	5905255.001	Push-in L-Connector	1	D/E		
91	5906766.001	Mini Cylinder	1	D/E		
92.1	5966963.001	Plate	1	D/E		
92.2	5972171.001	Plate	1	D/E		
93	5902005.001	Screw DIN912-M3x8	10	D/E		
94.1	5966964.001	Sensor	1	A/B/D/E		
94.2	5970198.001	Sensor	1	C/D/E		
95	5987040.001	Swivel Plate	1	L		
96	5902029.001	Screw DIN7991-M3x8	10	DE		

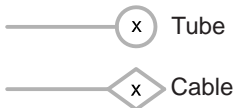
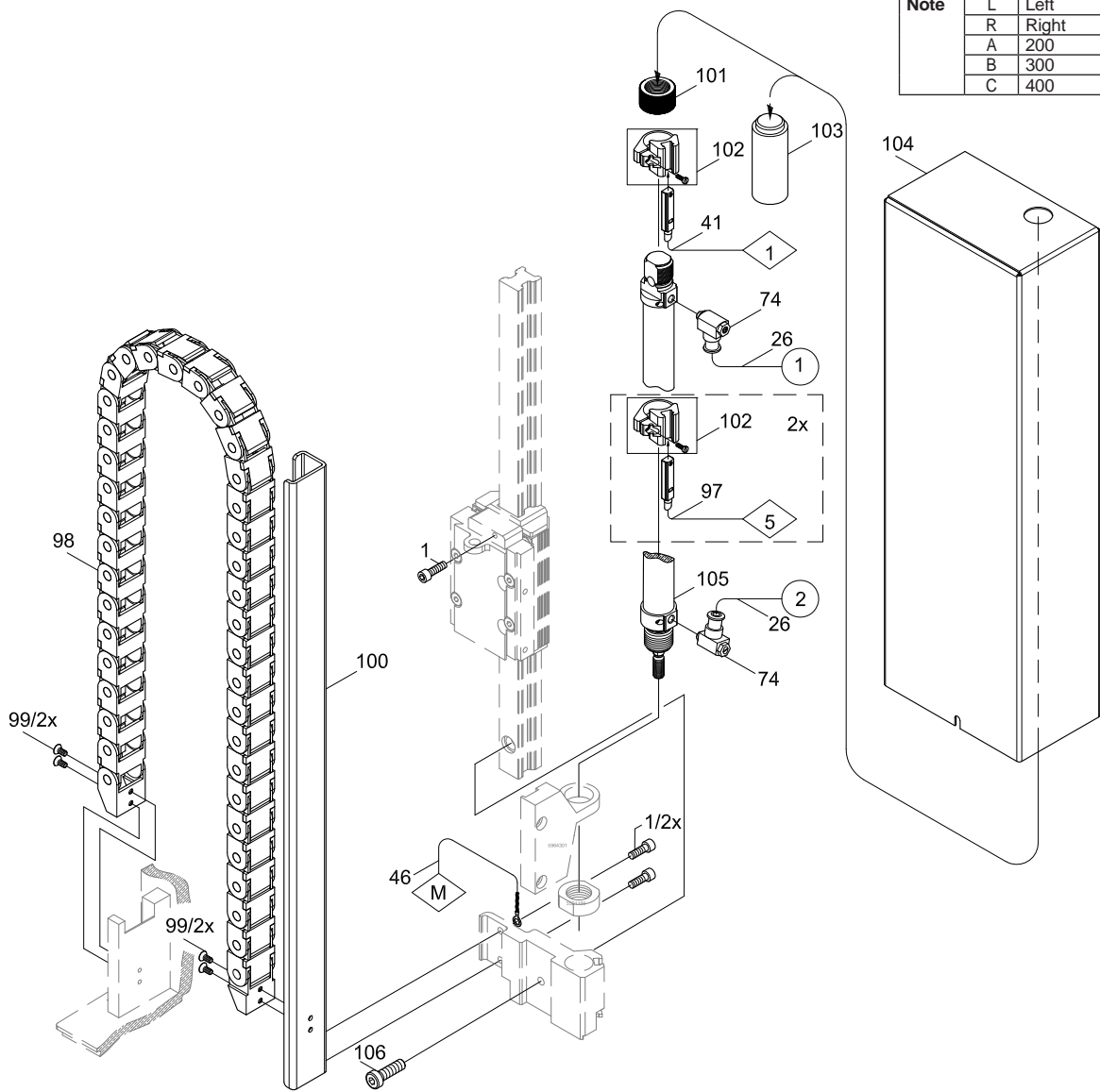
Note	L	Left
	R	Right
	A	200
	B	300
	C	400
	D	stroke backwards
E	stroke forward	



No.	Part-No.	Description	PU	Note	Serial No.	
					from	to
1	5902489.001	Screw DIN7984-M4x8	10			
26	5966460.001	Tube Ø4	2m			
28	5966464.001	Tube Ø6	2m			
41.1	5964454.001	Sensor	1	A		
41.2	5964494.001	Sensor	1	B		
41.3	5964495.001	Sensor	1	C		
45.1	5964590.001	Cable	1	A		
45.2	5964591.001	Cable	1	B		
45.3	5964592.001	Cable	1	C		
74	5906636.001	One-way Flow Control Valve	1			
97	5966443.001	Sensor	1	B/C		
98.1	5964373.001	Energy Track	1	A		
98.2	5964374.001	Energy Track	1	B		
98.3	5964375.001	Energy Track	1	C		
99	5902047.001	Screw DIN7991-M3x5	10			
100.1	5964347.001	Bracket	1	A/L		
100.2	5964396.001	Bracket	1	A/R		

No.	Part-No.	Description	PU	Note	Serial No.	
					from	to
100.3	5964357.001	Bracket	1	B/L		
100.4	5964398.001	Bracket	1	B/R		
100.5	5964358.001	Bracket	1	C/L		
100.6	5964402.001	Bracket	1	C/R		
101	5964489.001	Knurled Nut	1	B		
102	5905593.001	Mounting Clip	1			
103	5964443.001	Bolt	1	A		
104.1	5964440.001	Cover	1	A/L		
104.2	5964451.001	Cover	1	A/R		
104.3	5964483.001	Cover	1	B/L		
104.4	5964453.001	Cover	1	B/R		
104.5	5964484.001	Cover	1	C/L		
104.6	5964485.001	Cover	1	C/R		
105.1	5906938.001	Cylinder	1	A		
105.2	5905973.001	Cylinder	1	B		
105.3	5906117.001	Cylinder	1	C		
106	5909043.001	Screw DIN7984-M6x20	10			

Note	L	Left
	R	Right
	A	200
	B	300
	C	400



Pos.	Figure/Page				No.	Part No.	Description	PU	SPR				Notes	Serial No.		
									from	to						
1				7	69	5521157.001	Washer	1	-	-	-	-				
2				7	70	5521158.001	Washer	1	-	-	-	-				
3			6		61	5521159.001	Nut	1	-	-	-	-				
4				8	93	5902005.001	Screw DIN912-M3x8	10	-	-	-	-	D/E			
5				8	86	5902017.001	Screw DIN912-M4x16	10	-	-	-	-				
6	3				12	5902021.001	Screw DIN7991-M3x6	10	-	-	-	-				
7				8	96	5902029.001	Screw DIN7991-M3x8	10	-	-	-	-	DE			
8					9	99	5902047.001	Screw DIN7991-M3x5	10	-	-	-	-			
9				7	75	5902138.001	Screw DIN912-M5x10	10	-	-	-	-				
10	3				15	5902167.001	Screw DIN912-M5x50	10	-	-	-	-				
11				8	87	5902241.001	Screw DIN7984-M4x10	10	-	-	-	-	D/E			
12				7	81	5902358.001	Screw DIN7984-M4x6	10	-	-	-	-				
13			6		111	5902375.001	Screw DIN7984-M6x10	10	-	-	-	-				
14				7	76	5902476.001	Screw DIN7984-M5x12	10	-	-	-	-				
15	3	4		8	9	1	5902489.001	Screw DIN7984-M4x8	10	-	-	-	-			
16			6		63	5902504.001	Nut DIN934-M6	10	-	-	-	-				
17			6		60	5902562.001	Screw DIN7984 M4x14	10	-	-	-	-				
18				7	79	5902565.001	Screw DIN7984-M4x10	10	-	-	-	-				
19			5		46	5902571.001	Screw DIN7984-M4x6	10	-	-	-	-				
20			6		57	5902827.001	Screw DIN7984-M5x25	10	-	-	-	-				
21	3			8	14	5902837.001	Screw DIN7984-M4x8	10	-	-	-	-				
22				8	82	5902852.001	Nut DIN934-M8x1	10	-	-	-	-				
23		4			36	5902862.001	Screw DIN7984-M4x20	10	-	-	-	-				
24		4			20	5902863.001	Screw DIN7984-M4x25	10	-	-	-	-				
25			6		62	5903040.001	Washer DIN125-A6,4	10	-	-	-	-				
26	3				16	5903061.001	Lock Washer DIN127-B5	10	-	-	-	-		15637		
27				7	80	5903089.001	Washer DIN988-4x8x1,0	10	-	-	-	-				
28				7	71	5903501.001	E-Ring DIN6799-7	10	-	-	-	-				
29			6		58	5903505.001	E-Ring DIN6799-5	10	-	-	-	-				
30	3				10	5903525.001	E-Ring DIN 6799-4	10	-	-	-	-				
31	3				5	5904544.001	Spring	10	-	-	C	D				
32				7	68.2	5905049.001	Spring	1	-	-	C	D	M2/O			
33				7	68.1	5905069.001	Spring	1	-	-	C	D	M1			
34				8	90	5905255.001	Push-in L-Connector	1	-	-	-	-	D/E			
35	4				37	5905257.001	Silencer	1	A	B	C	D				
36	4				39	5905283.001	Push-in/threaded Fitting	1	-	-	-	-				
37	4				22	5905284.001	Shut-off valve	1	-	-	-	-				
38	4				21	5905285.001	Push-in L-Connector	1	-	-	-	-				
39				7	73	5905395.001	Swing Drive	1	-	-	-	-				
40					9	102	5905593.001	Mounting Clip	1	-	-	-	-			
41	4				30	5905972.001	Push-in Y-Fitting	1	-	-	-	-				
42				9	105.2	5905973.001	Cylinder	1	-	-	C	D	B			
43				9	105.3	5906117.001	Cylinder	1	-	-	C	D	C			
44			7	9	74	5906636.001	One-way Flow Control Valve	1	A	B	C	D				
45				8	84	5906664.001	Shock Absorber	1	-	-	-	-				
46				8	91	5906766.001	Mini Cylinder	1	-	-	C	D	D/E			
47	4				24	5906842.001	Push-in/threaded Fitting	1	-	-	-	-				
48	4				35	5906844.001	Vacuum Generator	1	-	-	-	-				
49	4				34	5906914.001	Push-in L-Connector	1	-	-	-	-				
50	4				38	5906915.001	Push-in T-Connector	1	-	-	-	-				
51				9	105.1	5906938.001	Cylinder	1	-	-	C	D	A			
52		5			47	5906943.001	Sealing Ring	10	-	-	-	-				
53	4				31.2	5907274.001	Valve Block	1	-	-	C	D	R			
54	4				31.1	5907276.001	Valve Block	1	-	-	C	D	L			
55	4				32	5907428.001	Magnetic Valve	1	-	B	C	D				
56	4				33	5907429.001	Magnetic Valve	1	-	B	C	D				

VPE Verpackungseinheit

Bemerkungen

L Links
R Rechts
A 200
B 300
C 400
D Hub nach Hinten
E Hub nach Vorn

M1 Appl. nach unten / horizontal
M2 Appl. nach oben
O Option

EE Ersatzteil - Empfehlung

A - Verschleißteile und Zubehör
B - empfohlene Baugruppen für schnelle Reparatur
C - empfohlene Ersatzteile für Händler
D - empfohlene Ersatzteile für Zentrallager

Pos.	Figure/Page				No.	Part No.	Description	PU	SPR				Notes	Serial No.	
									from	to					
57					9 106	5909043.001	Screw DIN7984-M6x20	10	-	-	-	-			
58		5			51	5955575.001	Applicator Control	1	-	-	C	D			
59		5			44	5955586.001	Cable	1	-	-	C	D			
60				7	67	5955707.001	Adapter Bolt	1	-	-	-	-			
61	3				6.1	5964036.001	Mounting Plate	1	-	-	-	-	L		
62			6		55	5964061.001	Set Screw	1	-	-	-	-			
63	3				19	5964062.001	Binder	1	-	-	-	-			
64	3				9	5964090.001	Interlock	1	-	-	-	-			
65		4			40.2	5964095.001	Blow Tube 4"	1	-	-	-	-			
66	3				2	5964129.001	Cover	1	-	-	-	-			
67	3				6.2	5964185.001	Mounting Plate	1	-	-	-	-	R		
68				7	65.1	5964236.001	Tamp Retainer	1	-	-	-	-	L		
69				7	65.2	5964241.001	Tamp Retainer	1	-	-	-	-	R		
70		4			40.1	5964277.001	Blow Tube 2"	1	-	-	-	-			
71			6		59.1	5964301.001	Holder	1	-	-	-	-	L		
72			6		110.1	5964302.001	Plate	1	-	-	-	-	L		
73			6		108	5964307.001	Guide Rail	1	-	-	-	-			
74	3				18.1	5964310.001	Clamping Element	1	-	-	-	-	L		
75	3				17.1	5964312.001	Crossbeam	1	-	-	-	-	L		
76	3				13	5964318.001	Adapter Profile	1	-	-	-	-			
77	3				18.2	5964328.001	Clamping Element	1	-	-	-	-	R		
78	3				17.2	5964331.001	Crossbeam	1	-	-	-	-	R		
79			6		59.2	5964336.001	Holder	1	-	-	-	-	R		
80			6		110.2	5964337.001	Plate	1	-	-	-	-	R		
81			6		52.2	5964343.001	Stopper	1	-	-	-	-	O		
82				9	100.1	5964347.001	Bracket	1	-	-	-	-	A/L		
83			6		64	5964349.001	Stopper	1	-	-	-	-			
84				9	100.3	5964357.001	Bracket	1	-	-	-	-	B/L		
85				9	100.5	5964358.001	Bracket	1	-	-	-	-	C/L		
86			6		53.2	5964364.001	Stopper	1	-	-	-	-	C		
87	3				3	5964367.001	Knurled Screw	1	-	-	-	-			
88				9	98.1	5964373.001	Energy Track	1	-	-	-	-	A		
89				9	98.2	5964374.001	Energy Track	1	-	-	-	-	B		
90				9	98.3	5964375.001	Energy Track	1	-	-	-	-	C		
91				9	100.2	5964396.001	Bracket	1	-	-	-	-	A/R		
92				9	100.4	5964398.001	Bracket	1	-	-	-	-	B/R		
93				9	100.6	5964402.001	Bracket	1	-	-	-	-	C/R		
94	3				11.1	5964429.001	Plate	1	-	-	-	-	L		
95	3				11.2	5964438.001	Plate	1	-	-	-	-	R		
96				9	104.1	5964440.001	Cover	1	-	-	-	-	A/L		
97				9	103	5964443.001	Bolt	1	-	-	-	-	A		
98				9	104.2	5964451.001	Cover	1	-	-	-	-	A/R		
99				9	104.4	5964453.001	Cover	1	-	-	-	-	B/R		
100		5		9	41.1	5964454.001	Sensor	1	-	-	-	-	A		
101				9	104.3	5964483.001	Cover	1	-	-	-	-	B/L		
102				9	104.5	5964484.001	Cover	1	-	-	-	-	C/L		
103				9	104.6	5964485.001	Cover	1	-	-	-	-	C/R		
104				9	101	5964489.001	Knurled Nut	1	-	-	-	-	B		
105		5		7	42.1	5964490.001	Sensor	1	-	-	C	D	A		
106		5		9	41.2	5964494.001	Sensor	1	-	-	C	D	B		
107		5		9	41.3	5964495.001	Sensor	1	-	-	C	D	C		
108		5		9	45.1	5964590.001	Cable	1	-	-	C	D			
109		5		9	45.2	5964591.001	Cable	1	-	-	C	D	B		
110		5		9	45.3	5964592.001	Cable	1	-	-	C	D	C		
111		5		7	42.2	5964594.001	Sensor	1	-	-	C	D	B/C		
112	3				4	5965963.001	Set Screw	1	-	-	-	-			

VPE Verpackungseinheit

Bemerkungen

L Links

M1 Appl. nach unten / horizontal

EE Ersatzteil - Empfehlung

R Rechts

M2 Appl. nach oben

A - Verschleißteile und Zubehör

A 200

O Option

B - empfohlene Baugruppen für schnelle Reparatur

B 300

C - empfohlene Ersatzteile für Händler

C 400

D - empfohlene Ersatzteile für Zentrallager

D Hub nach Hinten

E Hub nach Vorn

Pos.	Figure/Page					No.	Part No.	Description	PU	SPR					Notes	Serial No.	
113				6		109	5965966.001	Sliding Carriage	1	-	-	-	-				
114	4					23	5966414.001	Pressure Regulator	1	-	-	-	-	O			
115		5				49	5966417.001	Retainer	1	-	-	-	-				
116		5		7		43.1	5966437.001	Sensor	1	-	-	C	D	A			
117		5		7		43.2	5966442.001	Sensor	1	-	-	C	D	B			
118		5			9	97	5966443.001	Sensor	1	-	-	C	D	B/C			
119	4				9	26	5966460.001	Tube Ø4	2m	-	B	C	D				
120	4					29	5966463.001	Tube Ø4	2m	-	B	C	D				
121	4				9	28	5966464.001	Tube Ø6	2m	-	B	C	D				
122	4	5				25	5966465.001	Tube Ø8	2m	-	B	C	D				
123	4			7		27	5966466.001	Tube Ø4	2m	-	B	C	D				
124		5				50	5966514.001	EEPROM	1	-	-	-	-				
125				7		72.1	5966516.001	Bracket	1	-	-	-	-	L			
126					8	85.1	5966518.001	Pivot Arm	1	-	-	-	-	L			
127				7		78.1	5966520.001	Swing Plate	1	-	-	-	-	L			
128					8	83.1	5966521.001	Holder	1	-	-	-	-	L			
129				7		77	5966522.001	Stopper Plate	1	-	-	-	-				
130				6		107.1	5966524.001	Bracket	1	-	-	-	-	L			
131				6		107.2	5966528.001	Bracket	1	-	-	-	-	R			
132	3					8.1	5966529.001	Hinges	1	-	-	-	-	L			
133	3					7	5966530.001	Eccentric	1	-	-	-	-				
134	3					8.2	5966531.001	Hinges	1	-	-	-	-	R			
135					8	85.2	5966953.001	Pivot Arm	1	-	-	-	-	R			
136				7		72.2	5966958.001	Bracket	1	-	-	-	-	R			
137					8	83.2	5966959.001	Holder	1	-	-	-	-	R			
138				7		78.2	5966961.001	Swing Plate	1	-	-	-	-	R			
139					8	92.1	5966963.001	Plate	1	-	-	-	-	D/E			
140		5			8	94.1	5966964.001	Sensor	1	-	-	-	-				
141		5			8	94.2	5970198.001	Sensor	1	-	-	-	-				
142		5				48.1	5971416.001	PCB Applicator Interfaces	1	-	B	C	D	L			
143		5				48.2	5971417.001	PCB Applicator interfaces	1	-	B	C	D	R			
144					8	92.2	5972171.001	Plate	1	-	-	-	-	D/E			
145					8	88	5972692.001	Mount	1	-	-	-	-				
146				7		72.4	5972695.001	Bracket	1	-	-	-	-	E			
147				7		72.3	5979053.001	Bracket	1	-	-	-	-	D			
148				7		66	5979327.001	Adapter Rail	1	-	-	-	-				
149				6		54.1	5979331.001	Guide Rail with Carriage	1	-	-	-	-	A			
150				6		54.2	5979342.001	Guide Rail with Carriage	1	-	-	-	-	B			
151				6		56.1	5979349.001	Plate	1	-	-	-	-	L			
152				6		53.1	5979353.001	Stopper	1	-	-	-	-	A/B			
153				6		56.2	5979417.001	Plate	1	-	-	-	-	R			
154				6		52.1	5979483.001	Stopper	1	-	-	-	-	O			
155					8	95	5987040.001	Swivel Plate	1	-	-	-	-	L			

9 Packaging

Pos.	Figure/Page					No.	Part No.	Description	PU	SPR					Notes	Serial No.	
156							9109134.001	Packaging	1	-	-	-	-				

PU Package unit

Note

L Left
R Right

M1 Appl. top down / horizontal

SPR Recommendation

A - wearing parts and accessories

B - recommended spare parts for quick repair

C - recommended spare parts for distributors

D - recommended spare parts for central stores

A 200
B 300
C 400
D stroke backwards
E stroke forward

M2 Appl. upward

O Option