

Spare Parts List



External Rewinder - for SQUIX Series

ER1 / ER2 / ER3

for the following products

Part No.	Type
5948102.597	External Rewinder ER1/210 (for SQUIX)
5943251.597	External Rewinder ER2/210 (for SQUIX)
5945802.597	External Rewinder ER3/210 (for SQUIX)

Edition: 09/2022 - Part No. 9003829

Copyright

This documentation as well as translation hereof are property of cab Produkttechnik GmbH & Co. KG.

The replication, conversion, duplication or divulgement of the whole manual or parts of it for other intentions than its original intended purpose - in particular the procurement of spare parts for products sold by cab – demand the previous written authorisation by cab.

Editor

Regarding questions or comments please contact cab Produkttechnik GmbH & Co. KG.

Topicality

Due to the constant further development of our products discrepancies between documentation and product can occur.

Please check www.cab.de for the latest update.

Terms and conditions

Deliveries and performances are effected under the "General conditions of sale of cab"

Germany
cab Produkttechnik GmbH & Co KG
 Karlsruhe
 Phone +49 721 6626 0
www.cab.de

USA
cab Technology, Inc.
 Chelmsford, MA
 Phone +1 978 250 8321
www.cab.de/us

Taiwan
cab Technology Co., Ltd.
 Taipei
 Phone +886 (02) 8227 3966
www.cab.de/tw

Singapore
cab Singapore Pte. Ltd.
 Singapore
 Phone +65 6931 9099
www.cab.de/en

France
cab Technologies S.à.r.l.
 Niedermodern
 Phone +33 388 722501
www.cab.de/fr

Mexico
cab Technology, Inc.
 Juárez
 Phone +52 656 682 4301
www.cab.de/es

China
cab (Shanghai) Trading Co., Ltd.
 Shanghai
 Phone +86 (021) 6236 3161
www.cab.de/cn

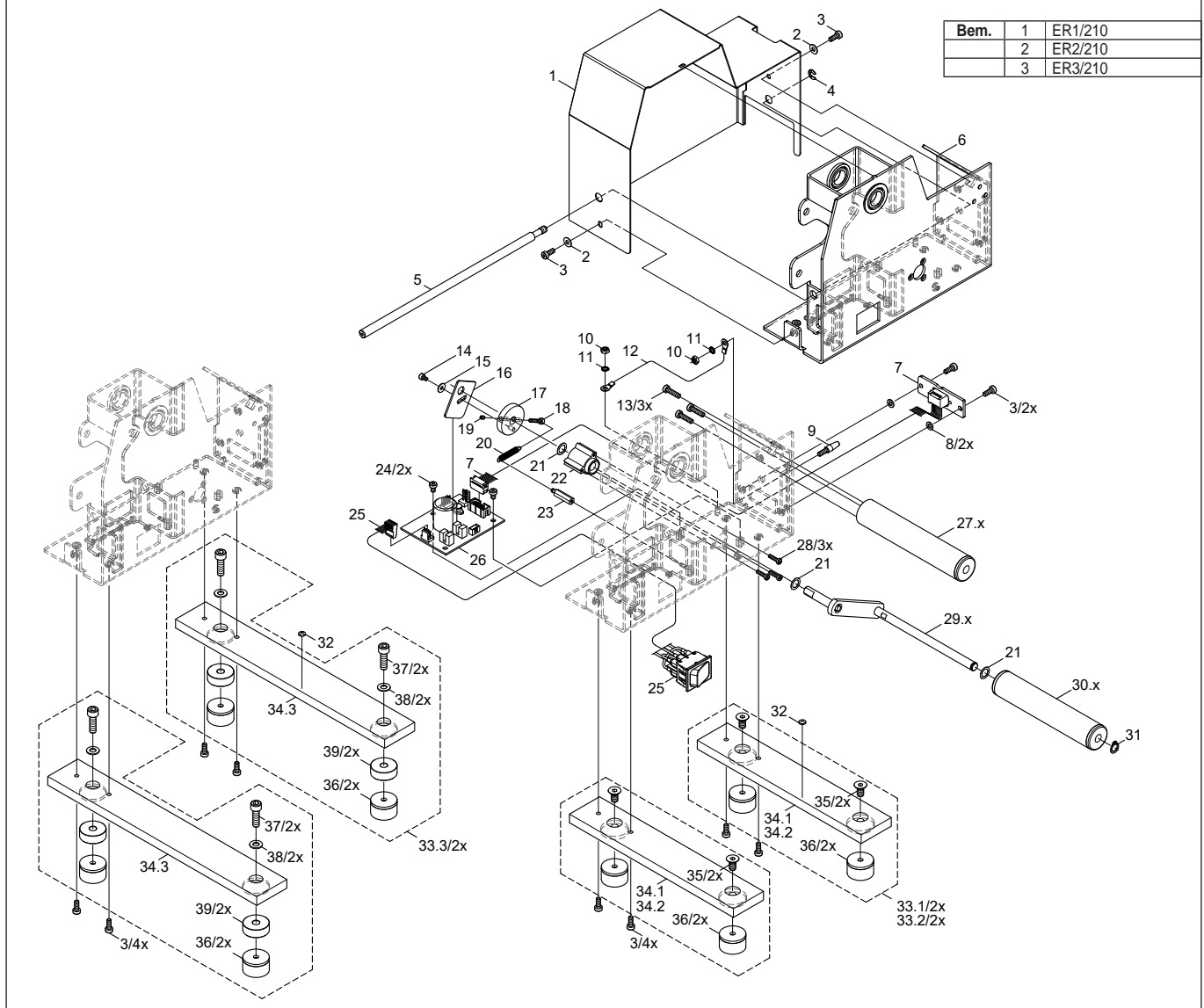
South Africa
cab Technology (Pty) Ltd.
 Randburg
 Phone +27 11 886 3580
www.cab.de/za

1 Chassis, Electronics

No.	Part No.	Description	PU	Notes	Serial No.	
					from	to
1	5945869.001	Cover	1			
2	5903003.001	Washer DIN125-A4.3	10			
3	5902241.001	Screw DIN7984-M4x10	10			
4	5903505.001	E-Ring DIN6799-5	10			
5	5977888.001	Spindle	1			
6	5945865.001	Mounting Plate	1			
7	5945737.001	Cable	1			
8	5903146.001	Washer 4,3x8,0x1,0	10			
9	5978964.001	Center Pin	1			
10	5902501.001	Nut DIN934-M4	10			
11	5903011.001	Toothed Washer DIN6797-A4.3	10			
12	5901684.001	Ground Cable	1			
13	5902348.001	Screw DIN7984-M4x16	10			
14	5902168.001	Screw DIN912-M3x5	10			
15	5903009.001	Washer DIN9021-3.2	10			
16	5945881.001	Blind	1			
17	5533089.001	Flange	1			
18	5902018.001	Screw DIN912-M3x16	10			
19	5904510.001	Set Screw DIN916-M3x5	10			
20	5905010.001	Spring	1			
21	5903094.001	Washer DIN988-8x12x0.2	10			
22	5945729.001	Bushing	1			
23	5520854.001	Spring Bolt	1			
24	5902358.001	Screw DIN7984-M4x6	10			
25	5530789.001	Rocker Switch	1			

No.	Part No.	Description	PU	Notes	Serial No.	
					from	to
26	5948197.001	PCB Control	1			
27.1	5945735.001	Roller	1	1		
27.2	5945767.001	Roller	1	2		
27.3	5948118.001	Roller	1	3		
28	5902410.001	Screw DIN7984-M3x12	10			
29.1	5945730.001	Lever	1	1		
29.2	5945763.001	Lever	1	2		
29.3	5948120.001	Lever	1	3		
30.1	5945711.001	Roller	1	1		
30.2	5945765.001	Roller	1	2		
30.3	5948116.001	Roller	1	3		
31	5903516.001	Snap Ring DIN471-8x0.8	10			
32	5905210.001	Foot	5			
33.1	5978931.001	Foot	1	1		
33.2	5979076.001	Foot	1	2		
33.3	5945918.002	Foot	1	3		
34.1	5978932.001	Foot	1	1		
34.2	5979077.001	Foot	1	2		
34.3	5945917.001	Foot	1	3		
35	5902813.001	Screw DIN7991-M6x12	10	1,2		
36	5906163.001	Stopper	1			
37	5902361.001	Screw DIN7984-M6x16	10	3		
38	5903106.001	Washer DIN988-6x12x1.0	10	3		
39	5945815.001	Spacer Bushing	1	3		

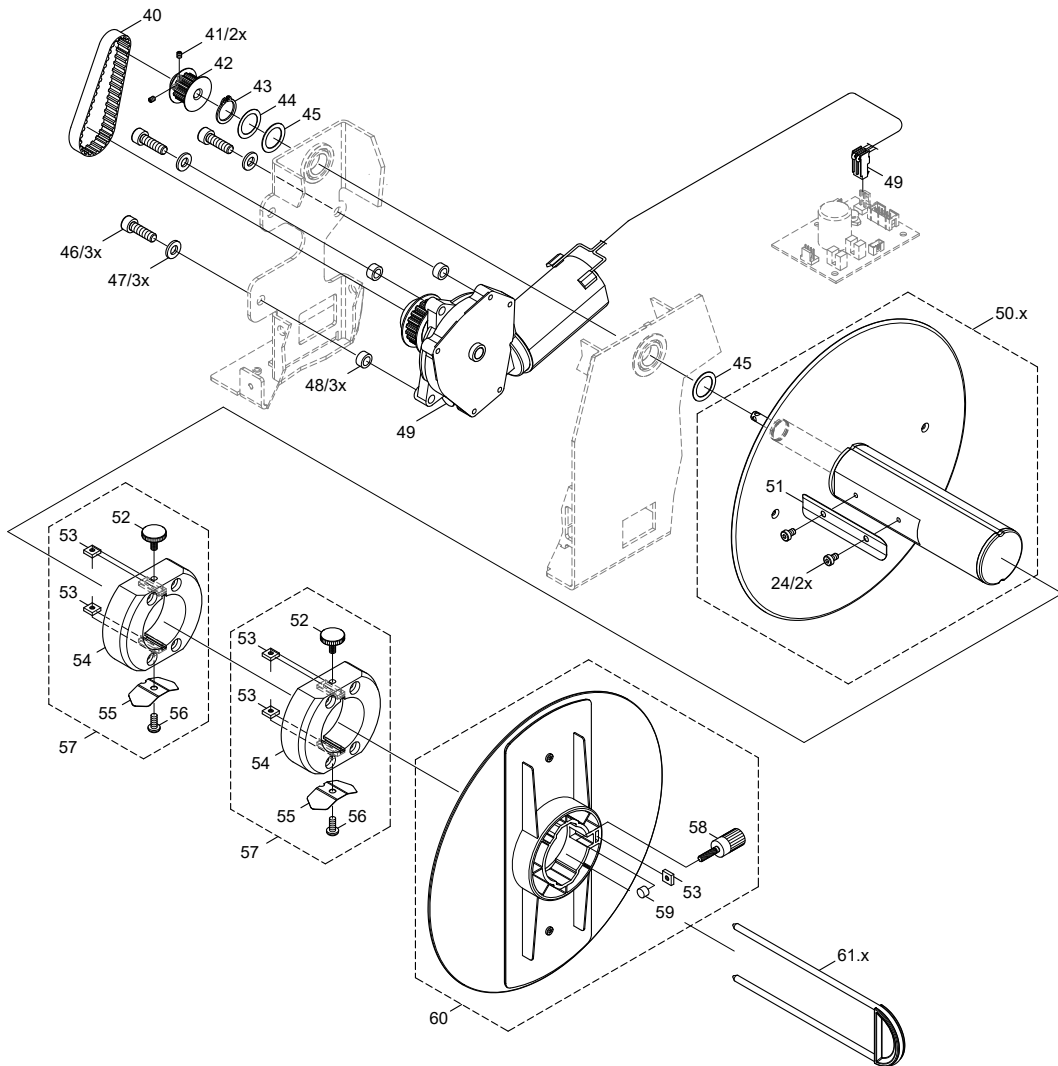
Bem.	1	ER1/210
	2	ER2/210
	3	ER3/210



No.	Part No.	Description	PU	Notes	Serial No.	
					from	to
24	5902358.001	Screw DIN7984-M4x6	10			
40	5905772.001	Belt 80XL 037	1			
41	5904528.001	Set Screw DIN913-M3x4	10			
42	5945724.001	Gear 12	1			
43	5903540.001	Snap Ring DIN471-15x1	10			
44	5903104.001	Washer DIN988-15x21x0.2	10			
45	5903084.001	Washer DIN988-15x21x0.5	10			
46	5902178.001	Screw DIN912-M6x20	10			
47	5903040.001	Washer DIN125-A6,4	10			
48	5900537.001	Spacer Bushing M6x5	10			
49	5945880.001	Gear Motor	1			
50.1	5948190.001	Shaft	1	1		
50.2	5948192.001	Shaft	1	2		
50.3	5948194.001	Shaft	1	3		

No.	Part No.	Description	PU	Notes	Serial No.	
					from	to
51	5948130.001	Spring	1			
52	5902089.001	Screw DIN653-M4x12	10			
53	8910053.001	Square Nut M4 8mm	10			
54	5520697.001	Adapter	1			
55	5520698.001	Spring	1			
56	5902022.001	Screw DIN7985-M4x10	10			
57	5520211.001	Adapter	1			
58	5525399.001	Thumbscrew	1			
59	5520860.001	Stopper	1			
60	5948529.001	Wall Spacer	1			
61.1	5530729.001	Clamp	1	1		
61.2	5533008.001	Clamp	1	2		
61.3	5533077.001	Clamp	1	3		

Bem.		
1	ER1/210	
2	ER2/210	
3	ER3/210	



Pos.	Figure/Page	No.	Part No.	Description	PU	SPR				Notes	Serial No.	
											from	to
1		4	57	5520211.001	Adapter	1	-	-	-	-		
2		4	54	5520697.001	Adapter	1	-	-	-	-		
3		4	55	5520698.001	Spring	1	-	-	-	-		
4	3		23	5520854.001	Spring Bolt	1	-	-	-	-		
5		4	59	5520860.001	Stopper	1	-	-	-	-		
6		4	58	5525399.001	Thumbscrew	1	-	-	-	-		
7		4	61.1	5530729.001	Clamp	1	-	-	-	-	1	
8	3		25	5530789.001	Rocker Switch	1	-	-	C	D		
9		4	61.2	5533008.001	Clamp	1	-	-	-	-	2	
10		4	61.3	5533077.001	Clamp	1	-	-	-	-	3	
11	3		17	5533089.001	Flange	1	-	-	-	-		
12		4	48	5900537.001	Spacer Bushing M6x5	10	-	-	-	-		
13	3		12	5901684.001	Ground Cable	1	-	-	-	-		
14	3		18	5902018.001	Screw DIN912-M3x16	10	-	-	-	-		
15		4	56	5902022.001	Screw DIN7985-M4x10	10	-	-	-	-		
16		4	52	5902089.001	Screw DIN653-M4x12	10	-	-	-	-		
17	3		14	5902168.001	Screw DIN912-M3x5	10	-	-	-	-		
18		4	46	5902178.001	Screw DIN912-M6x20	10	-	-	-	-		
19	3		3	5902241.001	Screw DIN7984-M4x10	10	-	-	-	-		
20	3		13	5902348.001	Screw DIN7984-M4x16	10	-	-	-	-		
21	3	4	24	5902358.001	Screw DIN7984-M4x6	10	-	-	-	-		
22	3		37	5902361.001	Screw DIN7984-M6x16	10	-	-	-	-	3	
23	3		28	5902410.001	Screw DIN7984-M3x12	10	-	-	-	-		
24	3		10	5902501.001	Nut DIN934-M4	10	-	-	-	-		
25	3		35	5902813.001	Screw DIN7991-M6x12	10	-	-	-	-	1,2	
26	3		2	5903003.001	Washer DIN125-A4.3	10	-	-	-	-		
27	3		15	5903009.001	Washer DIN9021-3.2	10	-	-	-	-		
28	3		11	5903011.001	Toothed Washer DIN6797-A4.3	10	-	-	-	-		
29		4	47	5903040.001	Washer DIN125-A6.4	10	-	-	-	-		
30		4	45	5903084.001	Washer DIN988-15x21x0.5	10	-	-	-	-		
31	3		21	5903094.001	Washer DIN988-8x12x0.2	10	-	-	-	-		
32		4	44	5903104.001	Washer DIN988-15x21x0.2	10	-	-	-	-		
33	3		38	5903106.001	Washer DIN988-6x12x1.0	10	-	-	-	-	3	
34	3		8	5903146.001	Washer 4,3x8,0x1,0	10	-	-	-	-		
35	3		4	5903505.001	E-Ring DIN6799-5	10	-	-	-	-		
36	3		31	5903516.001	Snap Ring DIN471-8x0.8	10	-	-	-	-		
37		4	43	5903540.001	Snap Ring DIN471-15x1	10	-	-	-	-		
38	3		19	5904510.001	Set Screw DIN916-M3x5	10	-	-	-	-		
39		4	41	5904528.001	Set Screw DIN913-M3x4	10	-	-	-	-		
40	3		20	5905010.001	Spring	1	-	-	-	-		
41	3		32	5905210.001	Foot	5	-	-	-	-		
42		4	40	5905772.001	Belt 80XL 037	1	-	-	C	D		
43	3		36	5906163.001	Stopper	1	-	-	-	D		
44	3		30.1	5945711.001	Roller	1	-	-	-	-	1	
45		4	42	5945724.001	Gear 12	1	-	-	-	-		
46	3		22	5945729.001	Bushing	1	-	-	-	-		
47	3		29.1	5945730.001	Lever	1	-	-	-	-	1	
48	3		27.1	5945735.001	Roller	1	-	-	-	-	1	
49	3		7	5945737.001	Cable	1	-	-	-	-		
50	3		29.2	5945763.001	Lever	1	-	-	-	-	2	
51	3		30.2	5945765.001	Roller	1	-	-	-	-	2	
52	3		27.2	5945767.001	Roller	1	-	-	-	-	2	
53	3		39	5945815.001	Spacer Bushing	1	-	-	-	-	3	
54	3		6	5945865.001	Mounting Plate	1	-	-	-	-		
55	3		1	5945869.001	Cover	1	-	-	-	-		
56		4	49	5945880.001	Gear Motor	1	-	-	C	D		
57	3		16	5945881.001	Blind	1	-	-	-	-		
58	3		34.3	5945917.001	Foot	1	-	-	-	-	3	
59	3		33.3	5945918.002	Foot	1	-	-	-	-	3	
60	3		30.3	5948116.001	Roller	1	-	-	-	-	3	
61	3		27.3	5948118.001	Roller	1	-	-	-	-	3	
62	3		29.3	5948120.001	Lever	1	-	-	-	-	3	
63		4	51	5948130.001	Spring	1	-	-	-	-		
64		4	50.1	5948190.001	Shaft	1	-	-	-	-	1	
65		4	50.2	5948192.001	Shaft	1	-	-	-	-	2	

PU Package unit

SPR Spare part recommendation

- 12 ER1/210
- 22 ER2/210
- 32 ER3/210
- A wearing parts and accessories
- B recommended spare parts for quick repair
- C recommended spare parts for distributors
- D recommended spare parts for central stores

Pos.	Figure/Page	No.	Part No.	Description	PU	SPR				Notes	Serial No.		
											from	to	
66		4	50.3	5948194.001	Shaft	1	-	-	-	-	3		
67	3		26	5948197.001	PCB Control	1	-	B	C	D			
68		4	60	5948529.001	Wall Spacer	1	-	-	-	-			
69	3		5	5977888.001	Spindle	1	-	-	-	-			
70	3		33.1	5978931.001	Foot	1	-	-	-	-	1		
71	3		34.1	5978932.001	Foot	1	-	-	-	-	1		
72	3		9	5978964.001	Center Pin	1	-	-	-	-			
73	3		33.2	5979076.001	Foot	1	-	-	-	-	2		
74	3		34.2	5979077.001	Foot	1	-	-	-	-	2		
75		4	53	8910053.001	Square Nut M4 8mm	10	-	-	-	-			

4 Packaging/Accessories

Pos.	Figure/Page	No.	Part No.	Description	PU	SPR				Notes	Serial No.		
											from	to	
76			-	9109156.001	Packaging	1	-	-	-	D	2		
77			-	9109161.001	Packaging	1	-	-	-	D	3		
78			-	9109175.001	Packaging	1	-	-	-	D	1		

PU Package unit

SPR Spare part recommendation

12 ER1/210

22 ER2/210

32 ER3/210

A wearing parts and accessories

B recommended spare parts for quick repair

C recommended spare parts for distributors

D recommended spare parts for central stores