

Spare Parts List



Wrap-around applicator

WICON

for the following products

| Type | |
|------------------------|-------|
| Wrap-around applicator | WICON |

Edition: 07/2023 - Part No. 9003819

Copyright

This documentation as well as translation hereof are property of cab Produkttechnik GmbH & Co. KG.

The replication, conversion, duplication or divulgement of the whole manual or parts of it for other intentions than its original intended purpose - in particular the procurement of spare parts for products sold by cab – demand the previous written authorisation by cab.

Editor

Regarding questions or comments please contact cab Produkttechnik GmbH & Co. KG.

Topicality

Due to the constant further development of our products discrepancies between documentation and product can occur.

Please check www.cab.de for the latest update.

Terms and conditions

Deliveries and performances are effected under the “General conditions of sale of cab”

Table of Contents

| | | |
|---|-------------------------------|----|
| 1 | Retainer Module, Control..... | 3 |
| 2 | Covering | 4 |
| 3 | Winder Assembly | 5 |
| 4 | Drives, Touchguard..... | 6 |
| 5 | Transport Module..... | 7 |
| 6 | Centering Panels | 8 |
| 7 | Spare Parts Register | 9 |
| 8 | Packaging/Accessories..... | 10 |

Germany
cab Produkttechnik GmbH & Co KG
 Karlsruhe
 Phone +49 721 6626 0
www.cab.de

USA
cab Technology, Inc.
 Chelmsford, MA
 Phone +1 978 250 8321
www.cab.de/us

Taiwan
cab Technology Co., Ltd.
 Taipei
 Phone +886 (02) 8227 3966
www.cab.de/tw

Singapore
cab Singapore Pte. Ltd.
 Singapore
 Phone +65 6931 9099
www.cab.de/en

France
cab Technologies S.à.r.l.
 Niedermodern
 Phone +33 388 722501
www.cab.de/fr

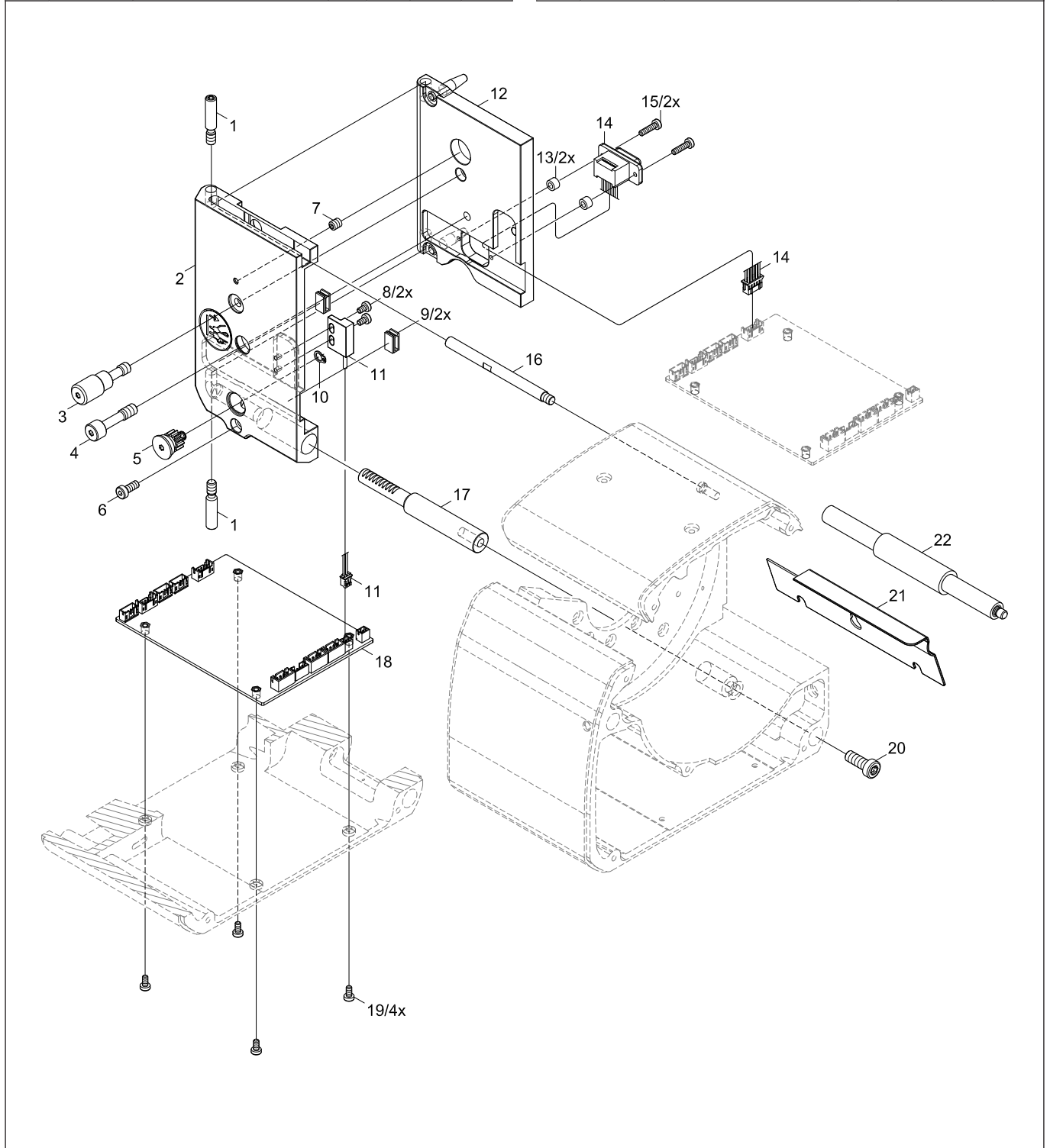
Mexico
cab Technology, Inc.
 Juárez
 Phone +52 656 682 4301
www.cab.de/es

China
cab (Shanghai) Trading Co., Ltd.
 Shanghai
 Phone +86 (021) 6236 3161
www.cab.de/cn

South Africa
cab Technology (Pty) Ltd.
 Randburg
 Phone +27 11 886 3580
www.cab.de/za

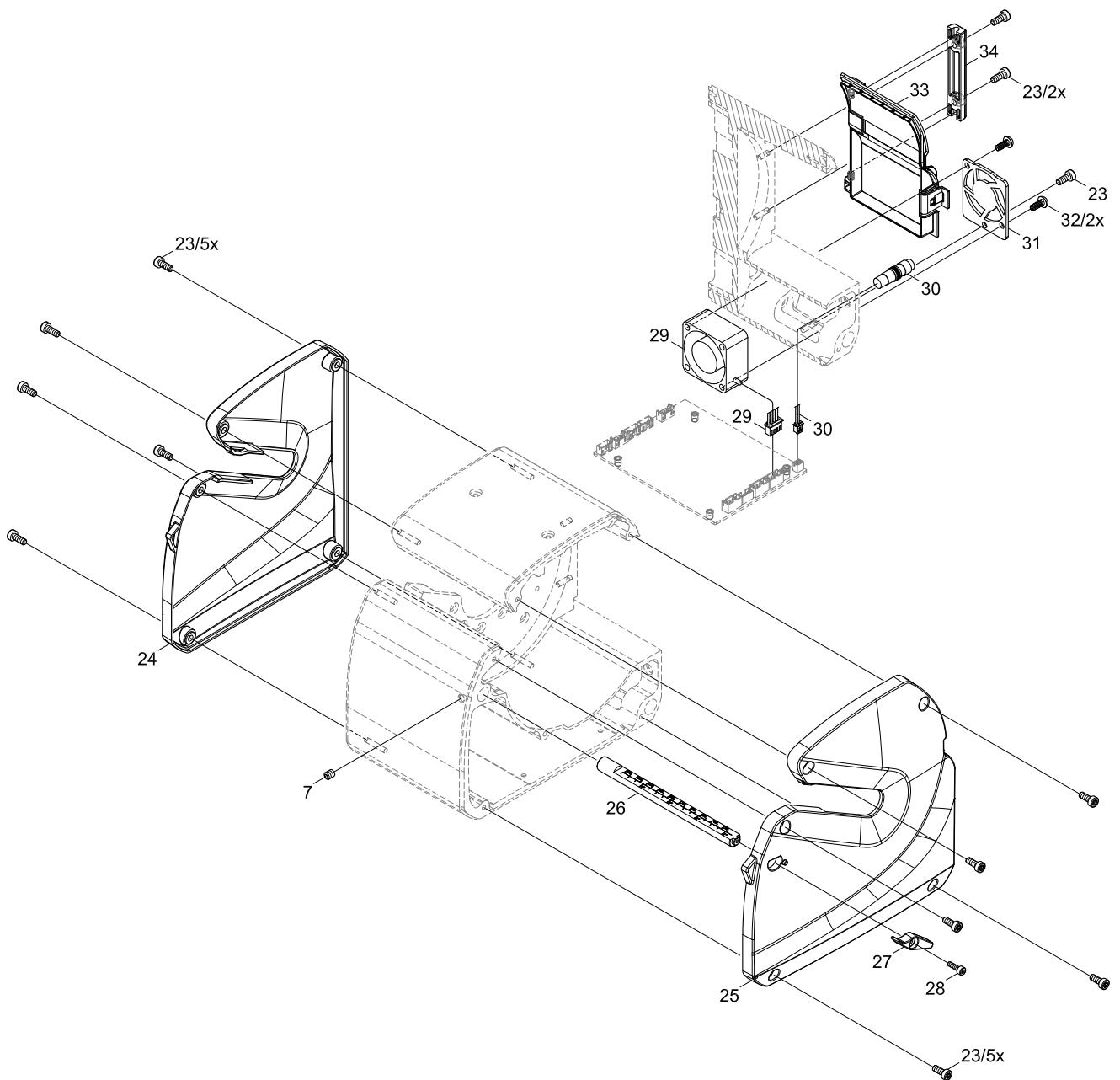
| No | Part No. | Description | PU | Note | Serial No. | |
|----|-------------|------------------------|----|------|------------|----|
| | | | | | from | to |
| 1 | 5988067.001 | Bolt | 1 | | | |
| 2 | 5988546.001 | Cover | 1 | | | |
| 3 | 5988068.001 | Knurled Screw | 1 | | | |
| 4 | 5988066.001 | Screw | 1 | | | |
| 5 | 5988163.001 | Setting Wheel | 1 | | | |
| 6 | 5902241.001 | Screw DIN7984-M4x10 | 10 | | | |
| 7 | 5904578.001 | Set Screw DIN913-M5x6 | 10 | | | |
| 8 | 5902896.001 | Screw DIN7984-M3x5 | 10 | | | |
| 9 | 5901509.001 | Cable Clamp | 10 | | | |
| 10 | 5903541.001 | Snap Ring DIN471-5x0,6 | 10 | | | |
| 11 | 5555159.001 | Cable Sensor Locking | 1 | | | |

| No | Part No. | Description | PU | Note | Serial No. | |
|----|-------------|------------------------|----|------|------------|----|
| | | | | | from | to |
| 12 | 5988545.001 | Mounting Plate | 1 | | | |
| 13 | 5900549.001 | Spacer Bushing PA M3x4 | 10 | | | |
| 14 | 5555158.001 | Cable USB | 1 | | | |
| 15 | 5902887.001 | Screw DIN7984-M3x12 | 10 | | | |
| 16 | 5988070.001 | Guide Axle | 1 | | | |
| 17 | 5988069.001 | Gear Rack | 1 | | | |
| 18 | 5555138.001 | PCB Control | 1 | | | |
| 19 | 5902838.001 | Screw DIN7984 M3x6 | 10 | | | |
| 20 | 5902897.001 | Screw DIN7984-M6x16 | 10 | | | |
| 21 | 5988150.001 | Dispense Plate | 1 | | | |
| 22 | 5953701.001 | Drive Roller DR4-M60 | 1 | | | |



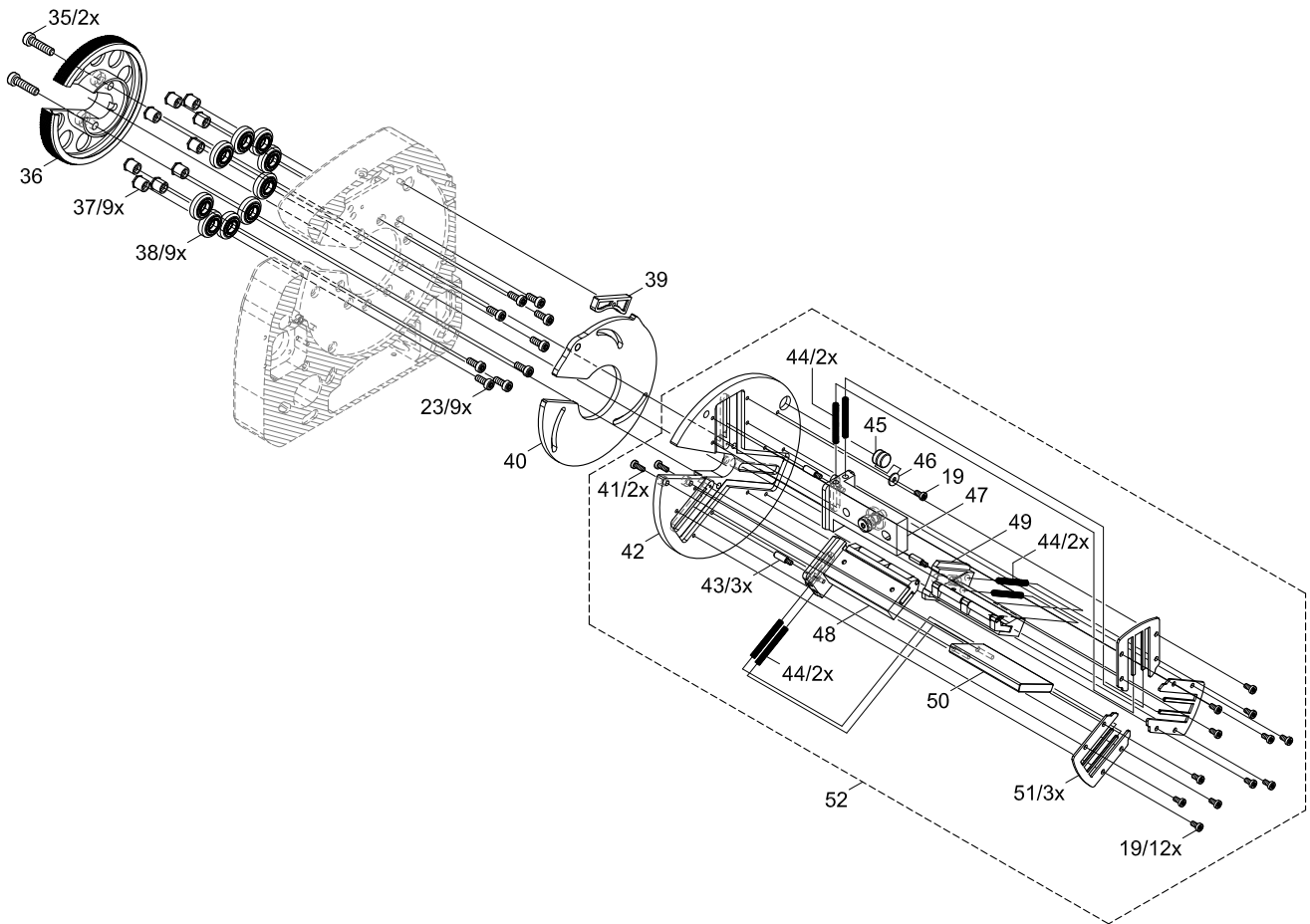
| No | Part No. | Description | PU | Note | Serial No. | |
|----|-------------|-----------------------|----|------|------------|----|
| | | | | | from | to |
| 7 | 5904578.001 | Set Screw DIN913-M5x6 | 10 | | | |
| 23 | 5902565.001 | Screw DIN7984-M4x10 | 10 | | | |
| 24 | 5988072.001 | Cover | 1 | | | |
| 25 | 5988073.001 | Cover | 1 | | | |
| 26 | 5988086.002 | Guide | 1 | | | |
| 27 | 5988085.001 | Stopper | 1 | | | |
| 28 | 5902010.001 | Screw DIN912-M3x10 | 10 | | | |

| No | Part No. | Description | PU | Note | Serial No. | |
|----|-------------|----------------------|----|------|------------|----|
| | | | | | from | to |
| 29 | 5555199.001 | Ventilator | 1 | | | |
| 30 | 5907838.001 | Button | 1 | | | |
| 31 | 5988525.001 | Ventilator Plate | 1 | | | |
| 32 | 5902816.001 | Screw EJOT-PT-K40x10 | 10 | | | |
| 33 | 5988527.001 | Door | 1 | | | |
| 34 | 5988078.001 | Bar | 1 | | | |



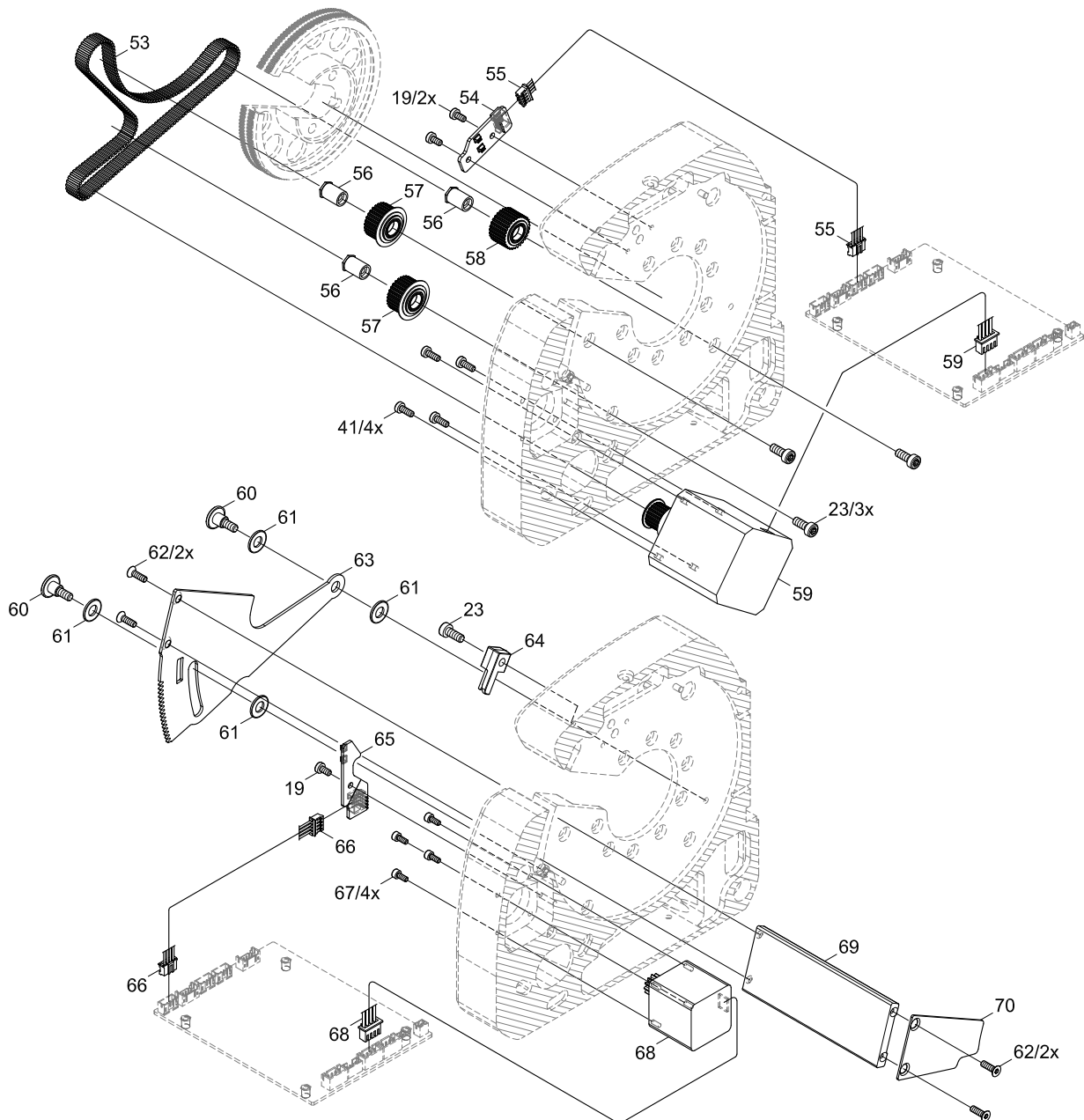
| No | Part No. | Description | PU | Note | Serial No. | |
|----|-------------|---------------------|----|------|------------|----|
| | | | | | from | to |
| 19 | 5902838.001 | Screw DIN7984 M3x6 | 10 | | | |
| 23 | 5902565.001 | Screw DIN7984-M4x10 | 10 | | | |
| 35 | 5902574.001 | Screw DIN7984-M5x20 | 10 | | | |
| 36 | 5988016.001 | Gear | 1 | | | |
| 37 | 5988508.001 | Axle | 1 | | | |
| 38 | 5988123.001 | Ring | 1 | | | |
| 39 | 5988017.001 | Locking Lever | 1 | | | |
| 40 | 5988520.001 | Cam Plate | 1 | | | |
| 41 | 5902867.001 | Screw DIN7984-M3x8 | 10 | | | |
| 42 | 5988020.001 | Winder Plate | 1 | | | |

| No | Part No. | Description | PU | Note | Serial No. | |
|----|-------------|--------------------|----|------|------------|----|
| | | | | | from | to |
| 43 | 5988041.001 | Screw | 1 | | | |
| 44 | 5906356.001 | Spring | 10 | | | |
| 45 | 5988131.001 | Stopper | 1 | | | |
| 46 | 5903009.001 | Washer DIN9021-3.2 | 10 | | | |
| 47 | 5988549.001 | Chuck Jaw | 1 | | | |
| 48 | 5988108.001 | Chuck Jaw | 1 | | | |
| 49 | 5988109.001 | Chuck Jaw | 1 | | | |
| 50 | 5988143.001 | Profile | 1 | | | |
| 51 | 5988021.001 | Guide Plate | 1 | | | |
| 52 | 5988005.001 | Winder Plate | 1 | | | |



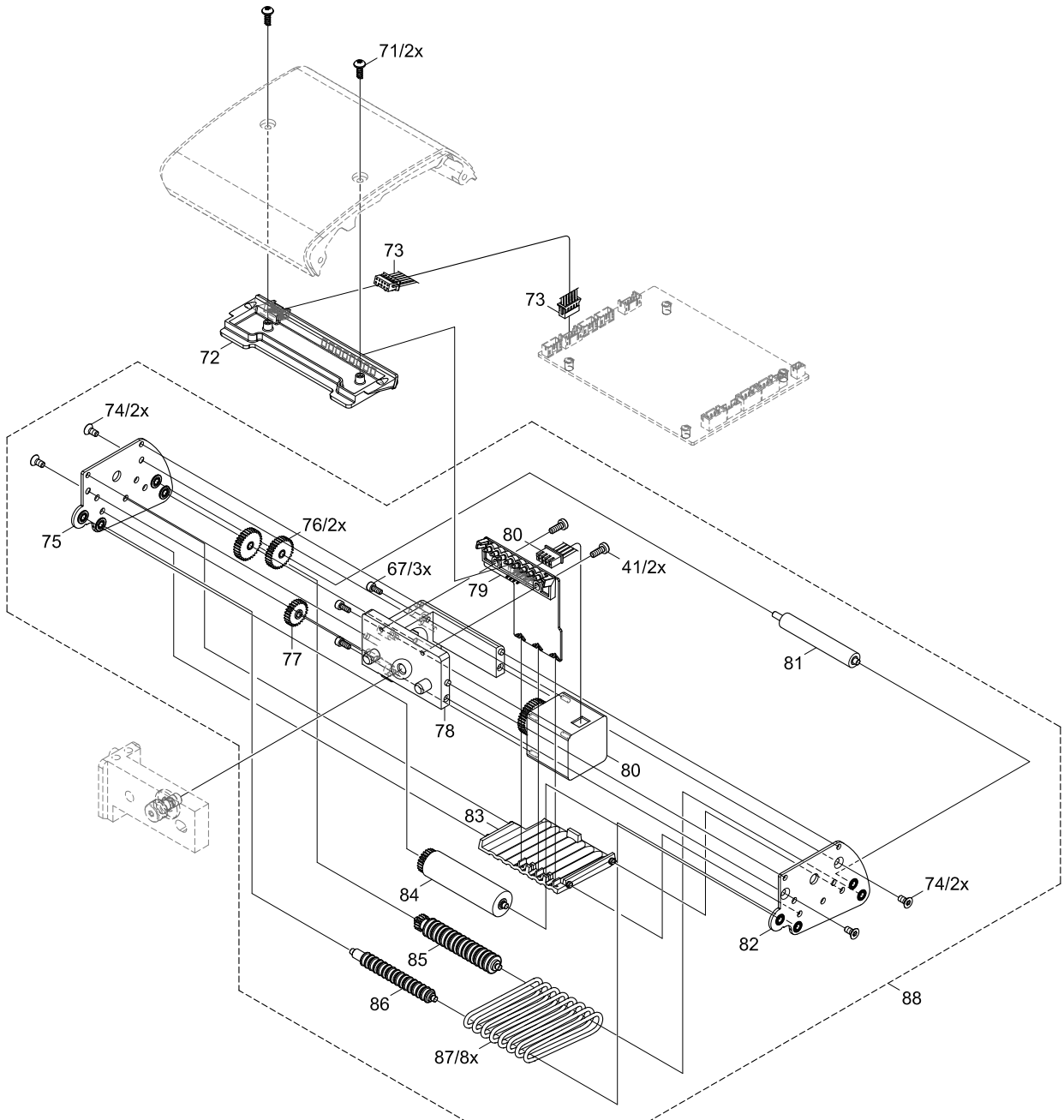
| No | Part No. | Description | PU | Note | Serial No. | |
|----|-------------|-----------------------|----|------|------------|----|
| | | | | | from | to |
| 19 | 5902838.001 | Screw DIN7984 M3x6 | 10 | | | |
| 23 | 5902565.001 | Screw DIN7984-M4x10 | 10 | | | |
| 41 | 5902867.001 | Screw DIN7984-M3x8 | 10 | | | |
| 53 | 5907821.001 | Belt 195DMXL | 1 | | | |
| 54 | 5551621.001 | PCB Sensor Diameter | 1 | | | |
| 55 | 5555155.001 | Cable Sensor Diameter | 1 | | | |
| 56 | 5988512.001 | Axle | 1 | | | |
| 57 | 5988517.001 | Gear | 1 | | | |
| 58 | 5988518.001 | Gear | 1 | | | |
| 59 | 5988151.001 | Stepper Motor | 1 | | | |
| 60 | 5988099.001 | Screw | 1 | | | |

| No | Part No. | Description | PU | Note | Serial No. | |
|----|-------------|-------------------------|----|------|------------|----|
| | | | | | from | to |
| 61 | 5988524.001 | Washer | 1 | | | |
| 62 | 5902953.001 | Screw DIN7991-M3x10 | 10 | | | |
| 63 | 5988139.001 | Guard | 1 | | | |
| 64 | 5988516.001 | Support | 1 | | | |
| 65 | 5551619.001 | PCB Sensor Touchguard | 1 | | | |
| 66 | 5555156.001 | Cable Sensor Touchguard | 1 | | | |
| 67 | 5902868.001 | Screw DIN912-M2,5x6 | 10 | | | |
| 68 | 5555198.001 | Stepper Motor | 1 | | | |
| 69 | 5988141.001 | Guard | 1 | | | |
| 70 | 5988140.001 | Guard | 1 | | | |



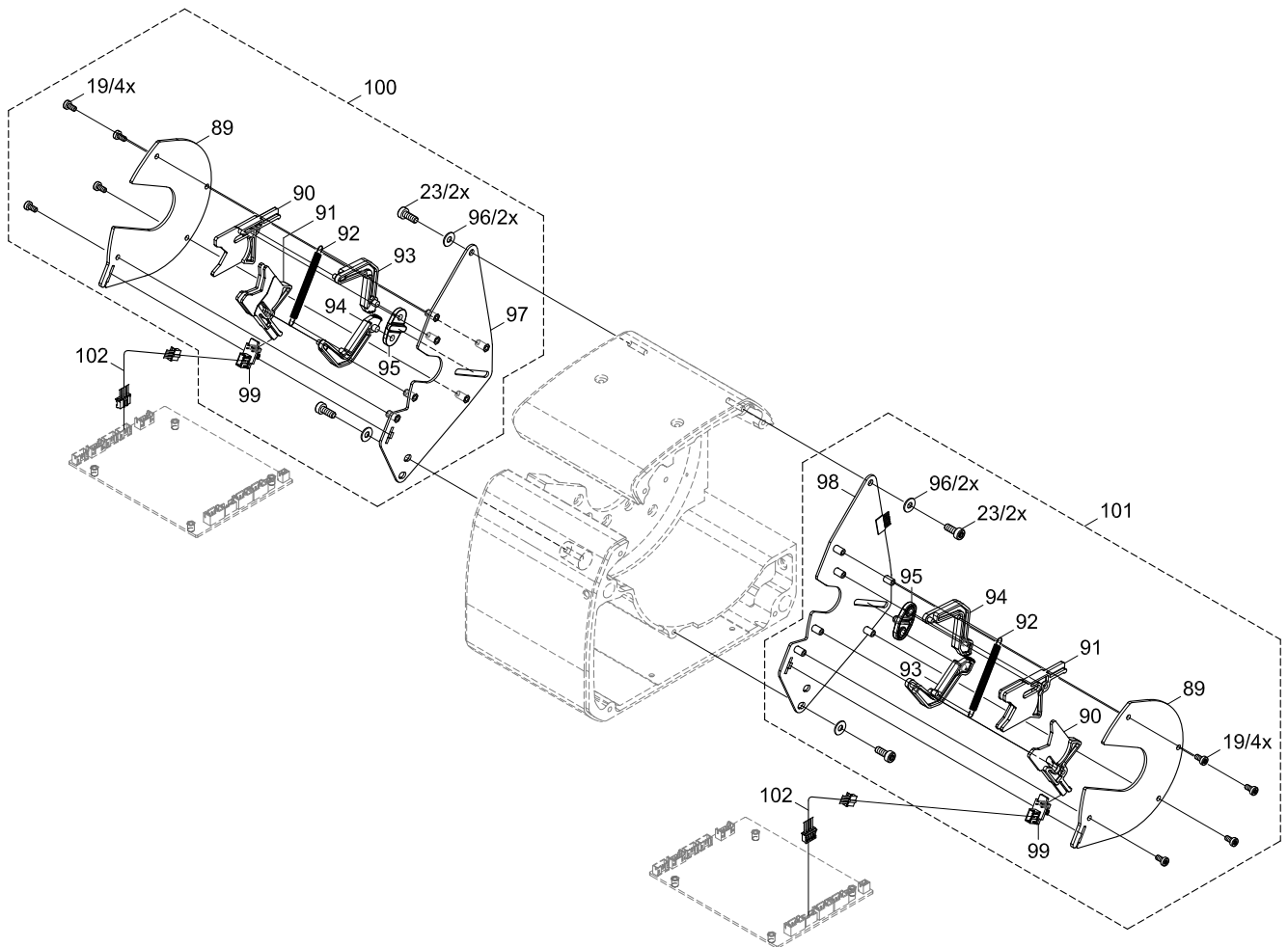
| No | Part No. | Description | PU | Note | Serial No. | |
|----|-------------|---------------------|----|------|------------|----|
| | | | | | from | to |
| 41 | 5902867.001 | Screw DIN7984-M3x8 | 10 | | | |
| 67 | 5902868.001 | Screw DIN912-M2,5x6 | 10 | | | |
| 71 | 5902965.001 | Screw EJOT-PT-K30x8 | 10 | | | |
| 72 | 5988548.001 | PCB Contacts Pads | 1 | | | |
| 73 | 5555157.001 | Cable Contact Pads | 1 | | | |
| 74 | 5902839.001 | Screw DIN7991-M3x6 | 10 | | | |
| 75 | 5988556.001 | Bearing Plate | 1 | | | |
| 76 | 5988563.001 | Gear Wheel Z32 | 1 | | | |
| 77 | 5988148.001 | Gear Wheel Z26 | 1 | | | |
| 78 | 5988552.001 | Motor Retainer | 1 | | | |

| No | Part No. | Description | PU | Note | Serial No. | |
|----|-------------|-------------------|----|------|------------|----|
| | | | | | from | to |
| 79 | 5555183.001 | PCB Sensor Labels | 1 | | | |
| 80 | 5555197.001 | Stepper Motor | 1 | | | |
| 81 | 5988561.001 | Roller | 1 | | | |
| 82 | 5988554.001 | Bearing Plate | 1 | | | |
| 83 | 5988562.001 | Guide | 1 | | | |
| 84 | 5988127.001 | Roller | 1 | | | |
| 85 | 5988560.001 | Belt Shaft | 1 | | | |
| 86 | 5988558.001 | Belt Shaft | 1 | | | |
| 87 | 5907761.001 | Round Belt 32x2 | 10 | | | |
| 88 | 5988551.001 | Transport Module | 1 | | | |



| No | Part No. | Description | PU | Note | Serial No. | |
|----|-------------|---------------------|----|------|------------|----|
| | | | | | from | to |
| 19 | 5902838.001 | Screw DIN7984 M3x6 | 10 | | | |
| 23 | 5902565.001 | Screw DIN7984-M4x10 | 10 | | | |
| 89 | 5988146.001 | Cover Plate | 1 | | | |
| 90 | 5988136.001 | Centering Guide | 1 | | | |
| 91 | 5988135.001 | Centering Guide | 1 | | | |
| 92 | 5906349.001 | Spring | 10 | | | |
| 93 | 5988200.001 | Lever | 1 | | | |
| 94 | 5988201.001 | Lever | 1 | | | |

| No | Part No. | Description | PU | Note | Serial No. | |
|-----|-------------|-----------------------|----|------|------------|----|
| | | | | | from | to |
| 95 | 5988202.001 | Slider | 1 | | | |
| 96 | 5903003.001 | Washer DIN125-A4.3 | 10 | | | |
| 97 | 5988162.001 | Mounting Plate | 1 | | | |
| 98 | 5988567.001 | Mounting Plate | 1 | | | |
| 99 | 5551423.001 | PCB Sensor Centering | 1 | | | |
| 100 | 5988158.001 | Centering Panel | 1 | | | |
| 101 | 5988159.001 | Centering Panel | 1 | | | |
| 102 | 5907839.001 | Cable Centering Panel | 1 | | | |



| Pos. | Figure/Page | | | | No. | Part No. | Description | PU | SPR | | | | Notes | Serial No. | |
|------|-------------|---|---|---|-----|-------------|-------------------------|-----------------------|-----|---|---|---|-------|------------|----|
| | | | | | | | | | | | | | | from | to |
| 1 | | | | 8 | 99 | 5551423.001 | PCB Sensor Centering | 1 | - | - | C | D | | | |
| 2 | | | 6 | | 65 | 5551619.001 | PCB Sensor Touchguard | 1 | - | - | C | D | | | |
| 3 | | | 6 | | 54 | 5551621.001 | PCB Sensor Diameter | 1 | - | - | C | D | | | |
| 4 | 3 | | | | 18 | 5555138.001 | PCB Control | 1 | - | - | C | D | | | |
| 5 | | | 6 | | 55 | 5555155.001 | Cable Sensor Diameter | 1 | - | - | - | - | | | |
| 6 | | | 6 | | 66 | 5555156.001 | Cable Sensor Touchguard | 1 | - | - | - | - | | | |
| 7 | | | | 7 | 73 | 5555157.001 | Cable Contact Pads | 1 | - | - | - | - | | | |
| 8 | 3 | | | | 14 | 5555158.001 | Cable USB | 1 | - | - | - | - | | | |
| 9 | 3 | | | | 11 | 5555159.001 | Cable Sensor Locking | 1 | - | - | - | - | | | |
| 10 | | | | 7 | 79 | 5555183.001 | PCB Sensor Labels | 1 | - | - | C | D | | | |
| 11 | | | | 7 | 80 | 5555197.001 | Stepper Motor | 1 | - | - | C | D | | | |
| 12 | | | 6 | | 68 | 5555198.001 | Stepper Motor | 1 | - | - | C | D | | | |
| 13 | | 4 | | | 29 | 5555199.001 | Ventilator | 1 | - | - | C | D | | | |
| 14 | 3 | | | | 13 | 5900549.001 | Spacer Bushing PA M3x4 | 10 | - | - | - | - | | | |
| 15 | 3 | | | | 9 | 5901509.001 | Cable Clamp | 10 | - | - | - | - | | | |
| 16 | | 4 | | | 28 | 5902010.001 | Screw DIN912-M3x10 | 10 | - | - | - | - | | | |
| 17 | 3 | | | | 6 | 5902241.001 | Screw DIN7984-M4x10 | 10 | - | - | - | - | | | |
| 18 | | 4 | 5 | 6 | 8 | 23 | 5902565.001 | Screw DIN7984-M4x10 | 10 | - | - | - | - | | |
| 19 | | | 5 | | 35 | 5902574.001 | Screw DIN7984-M5x20 | 10 | - | - | - | - | | | |
| 20 | | 4 | | | 32 | 5902816.001 | Screw EJOT-PT-K40x10 | 10 | - | - | - | - | | | |
| 21 | 3 | | 5 | 6 | 8 | 19 | 5902838.001 | Screw DIN7984 M3x6 | 10 | - | - | - | - | | |
| 22 | | | | 7 | 74 | 5902839.001 | Screw DIN7991-M3x6 | 10 | - | - | - | - | | | |
| 23 | | | 5 | 6 | 7 | 41 | 5902867.001 | Screw DIN7984-M3x8 | 10 | - | - | - | - | | |
| 24 | | | | 6 | 7 | 67 | 5902868.001 | Screw DIN912-M2,5x6 | 10 | - | - | - | - | | |
| 25 | 3 | | | | 15 | 5902887.001 | Screw DIN7984-M3x12 | 10 | - | - | - | - | | | |
| 26 | 3 | | | | 8 | 5902896.001 | Screw DIN7984-M3x5 | 10 | - | - | - | - | | | |
| 27 | 3 | | | | 20 | 5902897.001 | Screw DIN7984-M6x16 | 10 | - | - | - | - | | | |
| 28 | | | | 6 | 62 | 5902953.001 | Screw DIN7991-M3x10 | 10 | - | - | - | - | | | |
| 29 | | | | 7 | 71 | 5902965.001 | Screw EJOT-PT-K30x8 | 10 | - | - | - | - | | | |
| 30 | | | | | 8 | 96 | 5903003.001 | Washer DIN125-A4.3 | 10 | - | - | - | - | | |
| 31 | | | 5 | | 46 | 5903009.001 | Washer DIN9021-3.2 | 10 | - | - | - | - | | | |
| 32 | 3 | | | | 10 | 5903541.001 | Snap Ring DIN471-5x0,6 | 10 | - | - | - | - | | | |
| 33 | 3 | 4 | | | 7 | 5904578.001 | Set Screw DIN913-M5x6 | 10 | - | - | - | - | | | |
| 34 | | | | | 8 | 92 | 5906349.001 | Spring | 10 | - | - | C | D | | |
| 35 | | | 5 | | 44 | 5906356.001 | Spring | 10 | - | - | C | D | | | |
| 36 | | | | 7 | 87 | 5907761.001 | Round Belt 32x2 | 10 | - | - | C | D | | | |
| 37 | | | | 6 | 53 | 5907821.001 | Belt 195DMXL | 1 | - | - | - | - | | | |
| 38 | | 4 | | | 30 | 5907838.001 | Button | 1 | - | - | C | D | | | |
| 39 | | | | | 8 | 102 | 5907839.001 | Cable Centering Panel | 1 | - | - | - | - | | |
| 40 | 3 | | | | 22 | 5953701.001 | Drive Roller DR4-M60 | 1 | - | - | C | D | | | |
| 41 | | | 5 | | 52 | 5988005.001 | Winder Plate | 1 | - | - | - | - | | | |
| 42 | | | 5 | | 36 | 5988016.001 | Gear | 1 | - | - | - | - | | | |
| 43 | | | 5 | | 39 | 5988017.001 | Locking Lever | 1 | - | - | - | - | | | |
| 44 | | | 5 | | 42 | 5988020.001 | Winder Plate | 1 | - | - | - | - | | | |
| 45 | | | 5 | | 51 | 5988021.001 | Guide Plate | 1 | - | - | - | - | | | |
| 46 | | | 5 | | 43 | 5988041.001 | Screw | 1 | - | - | - | - | | | |
| 47 | 3 | | | | 4 | 5988066.001 | Screw | 1 | - | - | - | - | | | |
| 48 | 3 | | | | 1 | 5988067.001 | Bolt | 1 | - | - | - | - | | | |
| 49 | 3 | | | | 3 | 5988068.001 | Knurled Screw | 1 | - | - | - | - | | | |
| 50 | 3 | | | | 17 | 5988069.001 | Gear Rack | 1 | - | - | - | - | | | |
| 51 | 3 | | | | 16 | 5988070.001 | Guide Axle | 1 | - | - | - | - | | | |
| 52 | | 4 | | | 24 | 5988072.001 | Cover | 1 | - | - | - | - | | | |
| 53 | | 4 | | | 25 | 5988073.001 | Cover | 1 | - | - | - | - | | | |
| 54 | | 4 | | | 34 | 5988078.001 | Bar | 1 | - | - | - | - | | | |
| 55 | | 4 | | | 27 | 5988085.001 | Stopper | 1 | - | - | - | - | | | |
| 56 | | 4 | | | 26 | 5988086.002 | Guide | 1 | - | - | - | - | | | |
| 57 | | | | 6 | 60 | 5988099.001 | Screw | 1 | - | - | - | - | | | |
| 58 | | | 5 | | 48 | 5988108.001 | Chuck Jaw | 1 | - | - | - | - | | | |
| 59 | | | 5 | | 49 | 5988109.001 | Chuck Jaw | 1 | - | - | - | - | | | |
| 60 | | | 5 | | 38 | 5988123.001 | Ring | 1 | - | - | - | - | | | |

PU Package unit

SPR Recommendation

A - wearing parts and accessories

B - recommended spare parts for quick repair

C - recommended spare parts for distributors

D - recommended spare parts for central stores

| Pos. | Figure/Page | | | | | No. | Part No. | Description | PU | SPR | | | | | Notes | Serial No. | |
|------|-------------|---|---|---|---|-----|-------------|-------------------|----|-----|---|---|-----|--|-------|------------|----|
| | | | | | | | | | | | | | | | | from | to |
| 61 | | | | 7 | | 84 | 5988127.001 | Roller | 1 | - | - | - | - | | | | |
| 62 | | 5 | | | | 45 | 5988131.001 | Stopper | 1 | - | - | - | - | | | | |
| 63 | | | | | 8 | 91 | 5988135.001 | Centering Guide | 1 | - | - | - | - | | | | |
| 64 | | | | | 8 | 90 | 5988136.001 | Centering Guide | 1 | - | - | - | - | | | | |
| 65 | | | 6 | | | 63 | 5988139.001 | Guard | 1 | - | - | - | - | | | | |
| 66 | | | 6 | | | 70 | 5988140.001 | Guard | 1 | - | - | - | - | | | | |
| 67 | | | 6 | | | 69 | 5988141.001 | Guard | 1 | - | - | - | - | | | | |
| 68 | | 5 | | | | 50 | 5988143.001 | Profile | 1 | - | - | - | - | | | | |
| 69 | | | | | 8 | 89 | 5988146.001 | Cover Plate | 1 | - | - | - | - | | | | |
| 70 | | | | | 7 | 77 | 5988148.001 | Gear Wheel Z26 | 1 | - | - | - | - | | | | |
| 71 | 3 | | | | | 21 | 5988150.001 | Dispense Plate | 1 | - | - | - | - | | | | |
| 72 | | | 6 | | | 59 | 5988151.001 | Stepper Motor | 1 | - | - | - | C D | | | | |
| 73 | | | | | 8 | 100 | 5988158.001 | Centering Panel | 1 | - | - | - | - | | | | |
| 74 | | | | | 8 | 101 | 5988159.001 | Centering Panel | 1 | - | - | - | - | | | | |
| 75 | | | | | 8 | 97 | 5988162.001 | Mounting Plate | 1 | - | - | - | - | | | | |
| 76 | 3 | | | | | 5 | 5988163.001 | Setting Wheel | 1 | - | - | - | - | | | | |
| 77 | | | | | 8 | 93 | 5988200.001 | Lever | 1 | - | - | - | - | | | | |
| 78 | | | | | 8 | 94 | 5988201.001 | Lever | 1 | - | - | - | - | | | | |
| 79 | | | | | 8 | 95 | 5988202.001 | Slider | 1 | - | - | - | - | | | | |
| 80 | | 5 | | | | 37 | 5988508.001 | Axle | 1 | - | - | - | - | | | | |
| 81 | | | 6 | | | 56 | 5988512.001 | Axle | 1 | - | - | - | - | | | | |
| 82 | | | 6 | | | 64 | 5988516.001 | Support | 1 | - | - | - | - | | | | |
| 83 | | | 6 | | | 57 | 5988517.001 | Gear | 1 | - | - | - | - | | | | |
| 84 | | | 6 | | | 58 | 5988518.001 | Gear | 1 | - | - | - | - | | | | |
| 85 | | 5 | | | | 40 | 5988520.001 | Cam Plate | 1 | - | - | - | - | | | | |
| 86 | | | 6 | | | 61 | 5988524.001 | Washer | 1 | - | - | - | - | | | | |
| 87 | 4 | | | | | 31 | 5988525.001 | Ventilator Plate | 1 | - | - | - | - | | | | |
| 88 | 4 | | | | | 33 | 5988527.001 | Door | 1 | - | - | - | - | | | | |
| 89 | 3 | | | | | 12 | 5988545.001 | Mounting Plate | 1 | - | - | - | - | | | | |
| 90 | 3 | | | | | 2 | 5988546.001 | Cover | 1 | - | - | - | - | | | | |
| 91 | | | | | 7 | 72 | 5988548.001 | PCB Contacts Pads | 1 | - | - | - | C D | | | | |
| 92 | | 5 | | | | 47 | 5988549.001 | Chuck Jaw | 1 | - | - | - | - | | | | |
| 93 | | | | | 7 | 88 | 5988551.001 | Transport Module | 1 | - | - | - | - | | | | |
| 94 | | | | | 7 | 78 | 5988552.001 | Motor Retainer | 1 | - | - | - | - | | | | |
| 95 | | | | | 7 | 82 | 5988554.001 | Bearing Plate | 1 | - | - | - | - | | | | |
| 96 | | | | | 7 | 75 | 5988556.001 | Bearing Plate | 1 | - | - | - | - | | | | |
| 97 | | | | | 7 | 86 | 5988558.001 | Belt Shaft | 1 | - | - | - | - | | | | |
| 98 | | | | | 7 | 85 | 5988560.001 | Belt Shaft | 1 | - | - | - | - | | | | |
| 99 | | | | | 7 | 81 | 5988561.001 | Roller | 1 | - | - | - | - | | | | |
| 100 | | | | | 7 | 83 | 5988562.001 | Guide | 1 | - | - | - | - | | | | |
| 101 | | | | | 7 | 76 | 5988563.001 | Gear Wheel Z32 | 1 | - | - | - | - | | | | |
| 102 | | | | | 8 | 98 | 5988567.001 | Mounting Plate | 1 | - | - | - | - | | | | |

8 Packaging/Accessories

| Pos. | Figure/Page | | | | | No. | Part No. | Description | PU | SPR | | | | | Notes | Serial No. | |
|------|-------------|--|--|--|--|-----|-------------|-------------|----|-----|---|---|---|---|-------|------------|----|
| | | | | | | | | | | | | | | | | from | to |
| 103 | | | | | | Z | 5988547.001 | Packaging | 1 | - | - | - | - | D | | | |

PU Package unit

SPR Recommendation

A - wearing parts and accessories

B - recommended spare parts for quick repair

C - recommended spare parts for distributors

D - recommended spare parts for central stores