

Spare Parts List



Stroke Applicator

4414

Family	Type
Stroke Applicator	4414L-200
	4414L-300
	4414L-400
	4414R-200
	4414R-300
	4414R-400
	4414...-200 Pressure reduced
	4414...-300 Pressure reduced

Table of Contents

1 Retainer Assembly 3
 2 Pneumatics Retainer Assembly 4
 3 Electronics Retainer Assembly 5
 4 Guiding 6
 5 Cylinder Assembly Guiding Y 7
 6 Cylinder Assembly Z 8
 7 Pressure Reduced 9
 8 Spare parts register 10
 9 Packaging / Accessories 12

Edition: 01/2023 - Part.-No. 9009124

Copyright

This documentation as well as translation hereof are property of cab Produkttechnik GmbH & Co. KG.

The replication, conversion, duplication or divulgement of the whole manual or parts of it for other intentions than its original intended purpose demand the previous written authorization by cab.

Editor

Regarding questions or comments please contact cab Produkttechnik GmbH & Co. KG.

Topicality

Due to the constant further development of our products discrepancies between documentation and product can occur. Please check www.cab.de for the latest update.

Terms and conditions

Deliveries and performances are effected under the General conditions of sale of cab.

Germany
cab Produkttechnik GmbH & Co KG
 Karlsruhe
 Phone +49 721 6626 0
www.cab.de

USA
cab Technology, Inc.
 Chelmsford, MA
 Phone +1 978 250 8321
www.cab.de/us

Taiwan
cab Technology Co., Ltd.
 Taipei
 Phone +886 (02) 8227 3966
www.cab.de/tw

Singapore
cab Singapore Pte. Ltd.
 Singapore
 Phone +65 6931 9099
www.cab.de/en

France
cab Technologies S.à.r.l.
 Niedermodern
 Phone +33 388 722501
www.cab.de/fr

Mexico
cab Technology, Inc.
 Juárez
 Phone +52 656 682 4301
www.cab.de/es

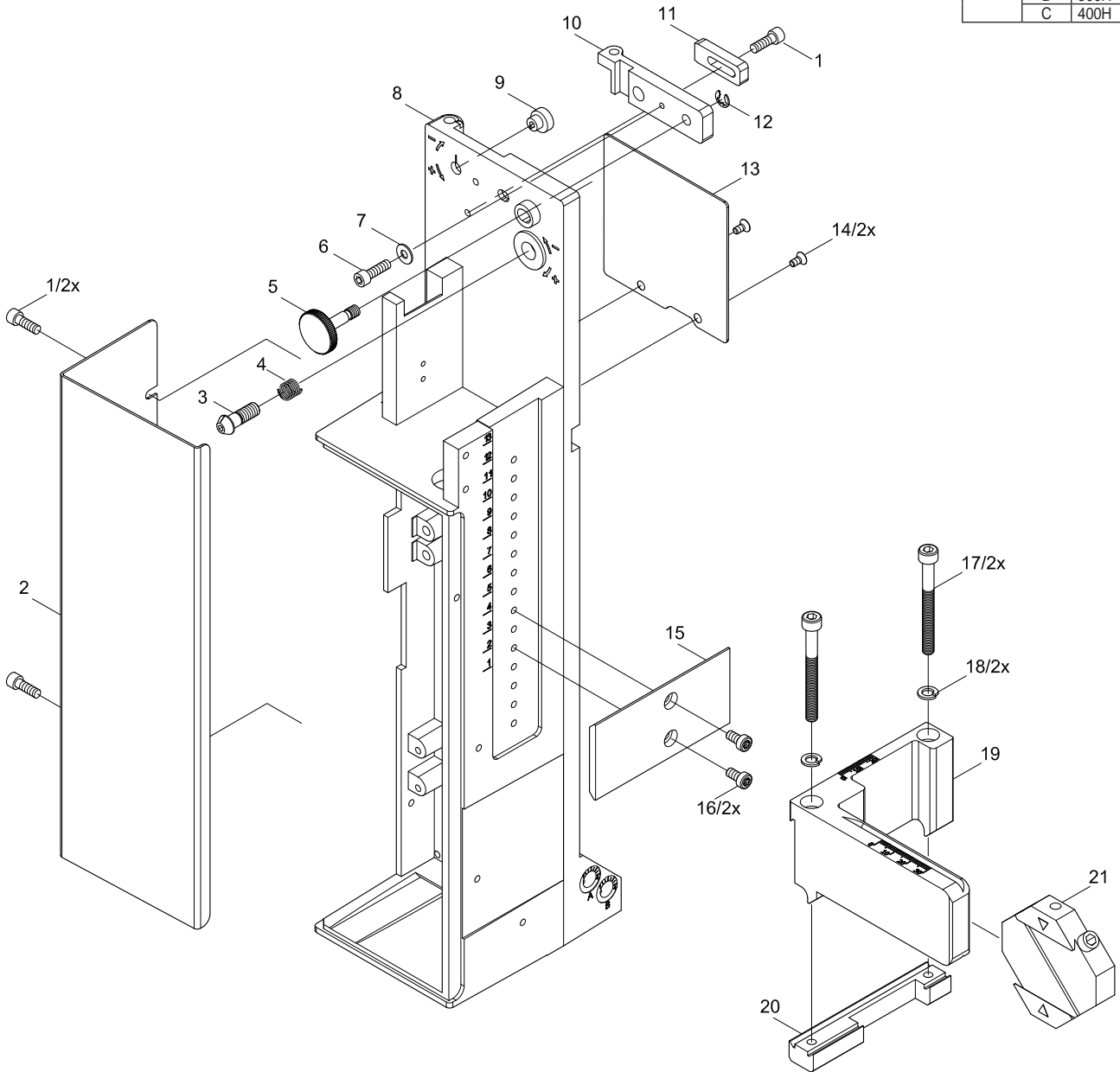
China
cab (Shanghai) Trading Co., Ltd.
 Shanghai
 Phone +86 (021) 6236 3161
www.cab.de/cn

South Africa
cab Technology (Pty) Ltd.
 Randburg
 Phone +27 11 886 3580
www.cab.de/za

No.	Part-No.	Description	PU	Note	Serial No.	
					from	to
1	5902489.001	Screw DIN7984-M4x8	10			
2	5964129.001	Cover	1			
3	5965963.001	Set Screw	1			
4	5904544.001	Spring	10			
5	5964367.001	Knurled Screw	1			
6	5902241.001	Screw DIN7984-M4x10	10			
7	5903003.001	Washer DIN125-A4.3	10			
8.1	5964036.001	Mounting Plate	1	L		
8.2	5964185.001	Mounting Plate	1	R		
9	5966530.001	Eccentric	1			
10.1	5966529.001	Hinges	1	L		
10.2	5966531.001	Hinges	1	R		
11	5964090.001	Interlock	1			
12	5903525.001	E-Ring DIN 6799-4	10			

No.	Part-No.	Description	PU	Note	Serial No.	
					from	to
13.1	5964429.001	Plate	1	L		
13.2	5964438.001	Plate	1	R		
14	5902021.001	Screw DIN7991-M3x6	10			
15.1	5964318.001	Adapter Profile	1	A/B		
15.2	5970013.001	Adapter Profile	1	C/L		
15.3	5970014.001	Adapter Profile	1	C/R		
16	5902837.001	Screw DIN7984-M4x8	10			
17	5902167.001	Screw DIN912-M5x50	10			
18	5903061.001	Lock Washer DIN127-B5	10			
19.1	5964312.001	Crossbeam	1	L		
19.2	5964331.001	Crossbeam	1	R		
20.1	5964310.001	Clamping Element	1	L		
20.2	5964328.001	Clamping Element	1	R		
21	5964062.001	Binder	1			

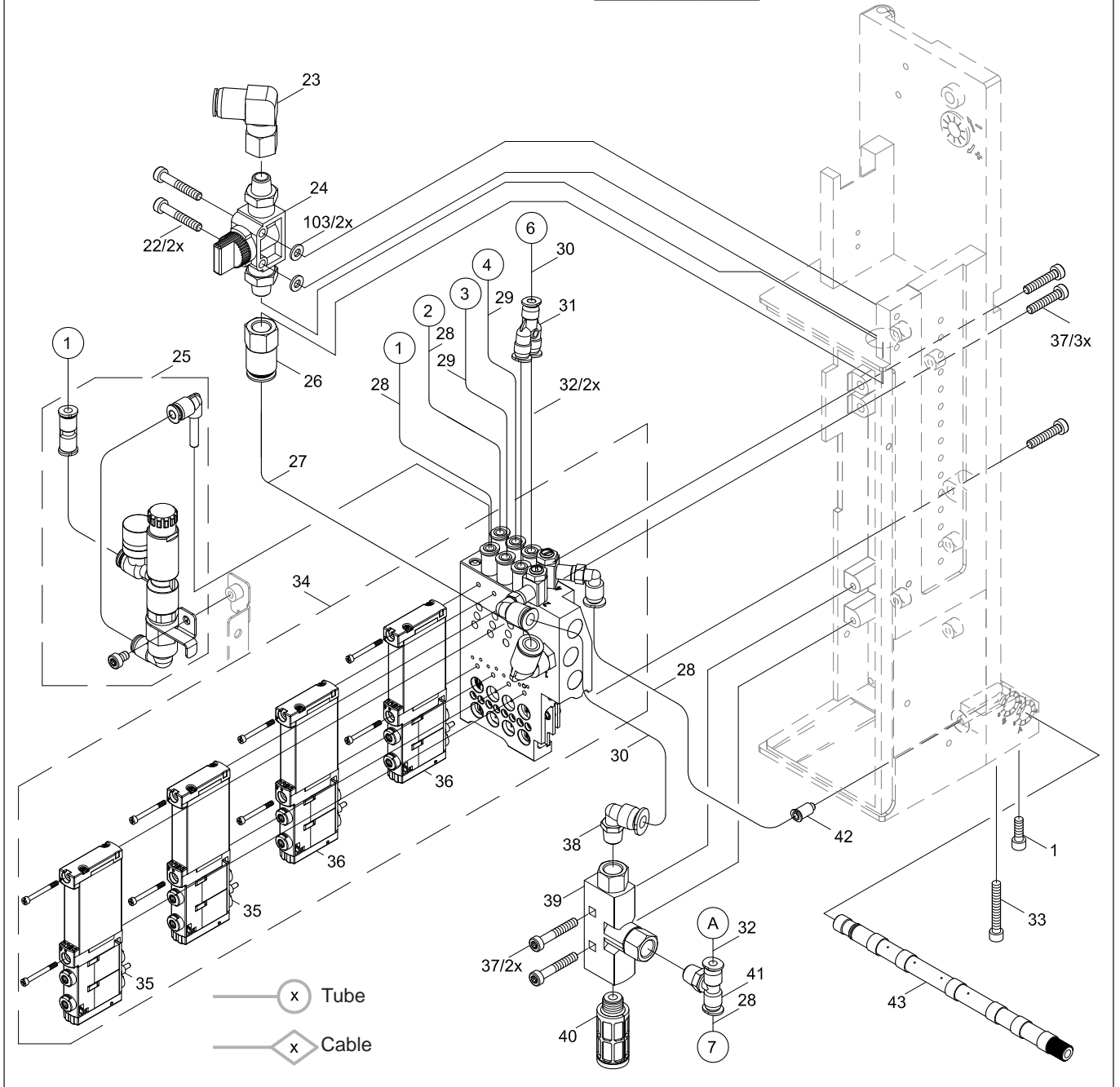
Note	L	Left
	R	Right
	A	200H
	B	300H
	C	400H



No.	Part-No.	Description	PU	Note	Serial No.	
					from	to
22	5902863.001	Screw DIN7984-M4x25	10			
23	5905285.001	Push-in L-Connector	1			
24	5905284.001	Shut-off valve	1			
25	5966414.001	Pressure Regulator	1	O		
26	5906842.001	Push-in/threaded Fitting	1			
27	5966465.001	Tube Ø8	2m			
28	5966460.001	Tube Ø4	2m			
29	5966466.001	Tube Ø4	2m			
30	5966464.001	Tube Ø6	2m			
31	5905972.001	Push-in Y-Fitting	1			
32	5966463.001	Tube Ø4	2m			
33	5902420.001	Screw DIN7984-M4x20	10			
34.1	5976156.001	Valve Block	1	L		
34.2	5976157.001	Valve Block	1	R		

No.	Part-No.	Description	PU	Note	Serial No.	
					from	to
35	5907428.001	Magnetic Valve	1			
36	5907429.001	Magnetic Valve	1			
37	5902862.001	Screw DIN7984-M4x20	10			
38	5906914.001	Push-in L-Connector	1			
39	5906844.001	Vacuum Generator	1			
40	5905257.001	Silencer	1			
41	5906915.001	Push-in T-Connector	1			
42	5905283.001	Push-in/threaded Fitting	1			
43.1	5964277.001	Blow Tube 2"	1			
43.2	5964095.001	Blow Tube 4"	1			
43.3	5964614.001	Blow Tube 6"	1			
103	5903089.001	Washer DIN988-4x8x1,0	10		15637	

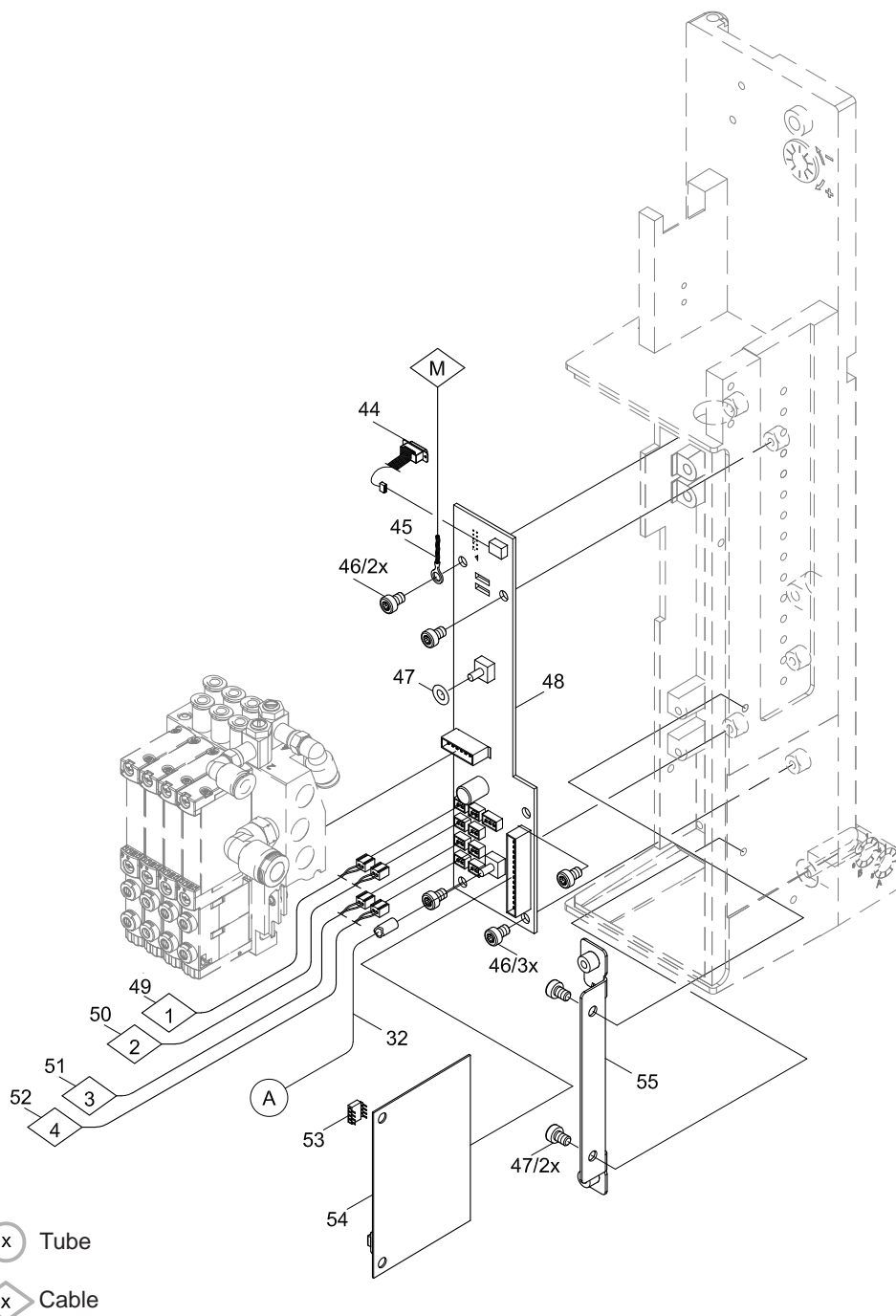
Note	L	Left
	R	Right
	O	Option



No.	Part-No.	Description	PU	Note	Serial No.	
					from	to
32	5966463.001	Tube Ø4	2m			
44	5955586.001	Cable	1			
45.1	5964590.001	Cable	1	A		
45.2	5964591.001	Cable	1	B		
45.3	5964592.001	Cable	1	C		
46	5902571.001	Screw DIN7984-M4x6	10			
47	5906943.001	Sealing Ring	10			
48.1	5971416.001	PCB Applicator Interfaces	1	L		
48.2	5971417.001	PCB Applicator interfaces	1	R		
49.1	5964454.001	Sensor	1	A		
49.2	5964494.001	Sensor	1	B		
49.3	5964495.001	Sensor	1	C		

No.	Part-No.	Description	PU	Note	Serial No.	
					from	to
50.1	5964490.001	Sensor	1	A		
50.2	5964594.001	Sensor	1	B		
50.3	5964595.001	Sensor	1	C		
51.1	5971186.001	Sensor	1	A		
51.2	5971187.001	Sensor	1	B		
51.3	5971188.001	Sensor	1	C		
52.1	5971189.001	Sensor	1	A		
52.2	5971193.001	Sensor	1	B		
52.3	5971194.001	Sensor	1	C		
53	5964612.001	EEPROM	1			
54	5955575.001	Applicator Control	1			
55	5966417.001	Retainer	1			

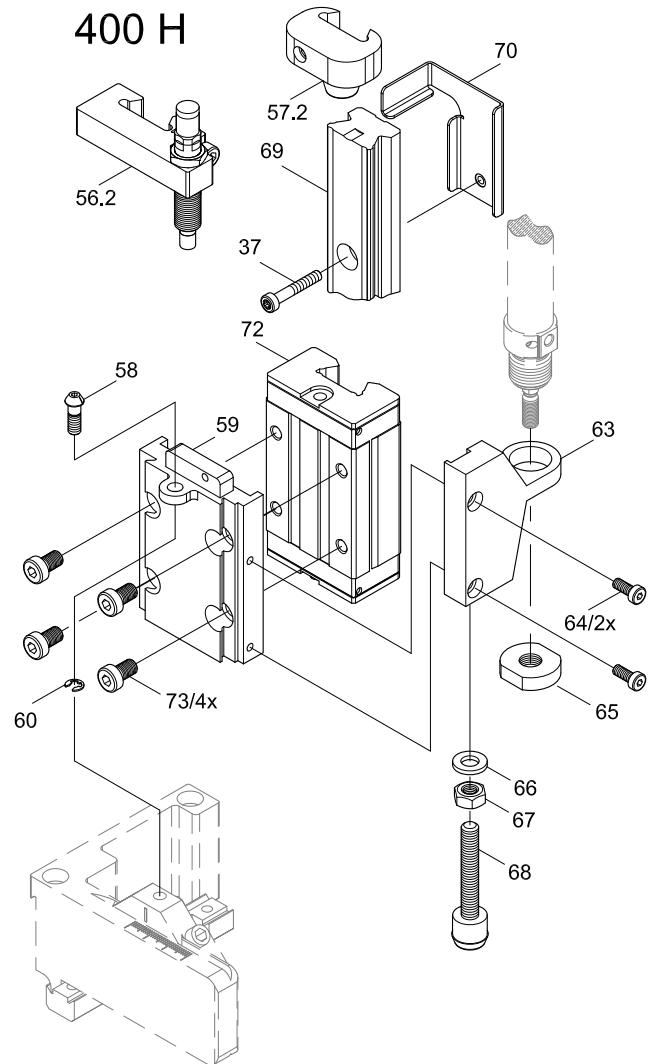
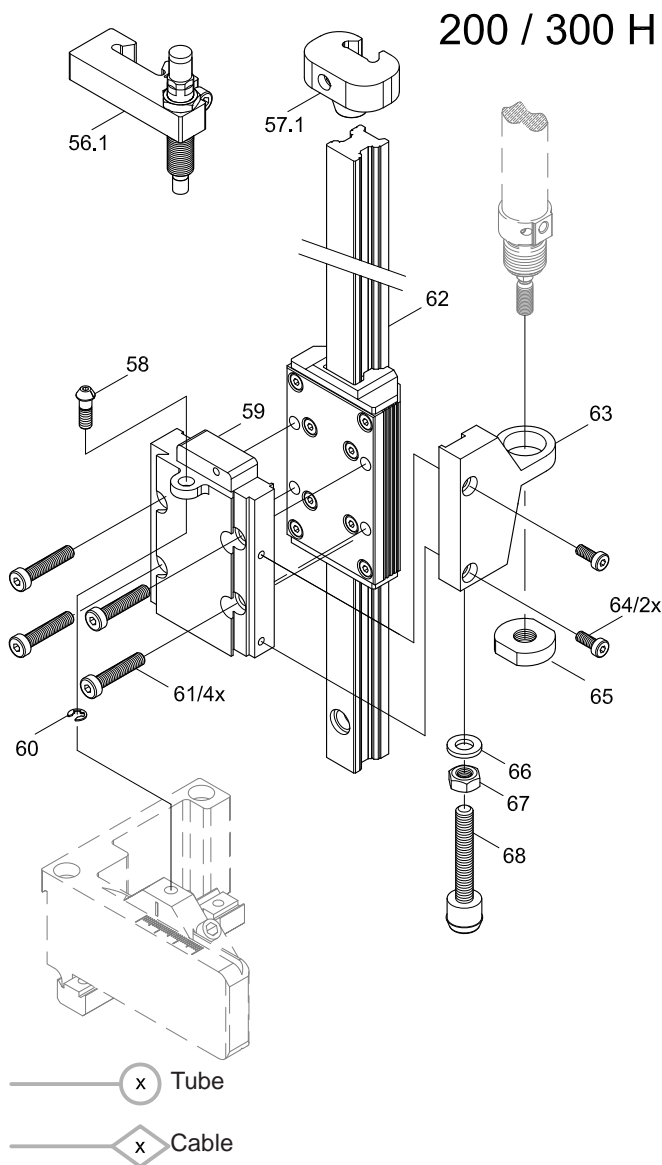
Note	L	Left
	R	Right
	A	200H
	B	300H
	C	400H



No.	Part-No.	Description	PU	Note	Serial No.	
					from	to
37	5902862.001	Screw DIN7984-M4x20	10			
56.1	5979483.001	Stopper	1	A/B/O		
56.2	5964343.001	Stopper	1	C/O		
57.1	5979353.001	Stopper	1	A/B		
57.2	5964364.001	Stopper	1	C		
58	5964061.001	Set Screw	1			
59.1	5979349.001	Plate	1	L		
59.2	5979417.001	Plate	1	R		
59.3	5964302.001	Plate	1	L		
59.4	5964337.001	Plate	1	R		
60	5903505.001	E-Ring DIN6799-5	10			
61	5902827.001	Screw DIN7984-M5x25	10			
62.1	5979331.001	Guide Rail with Carriage	1	A		

No.	Part-No.	Description	PU	Note	Serial No.	
					from	to
62.2	5979342.001	Guide Rail with Carriage	1	B		
63.1	5964301.001	Holder	1	L		
63.2	5964336.001	Holder	1	R		
64	5902562.001	Screw DIN7984 M4x14	10			
65	5521159.001	Nut	1			
66	5903040.001	Washer DIN125-A6,4	10			
67	5902504.001	Nut DIN934-M6	10			
68	5964349.001	Stopper	1			
69	5979307.001	Guide Rail	1	C		
70.1	5966524.001	Bracket	1	C/L		
70.2	5966528.001	Bracket	1	CR		
72	5965966.001	Sliding Carriage	1	C		
73	5902375.001	Screw DIN7984-M6x10	10	C		

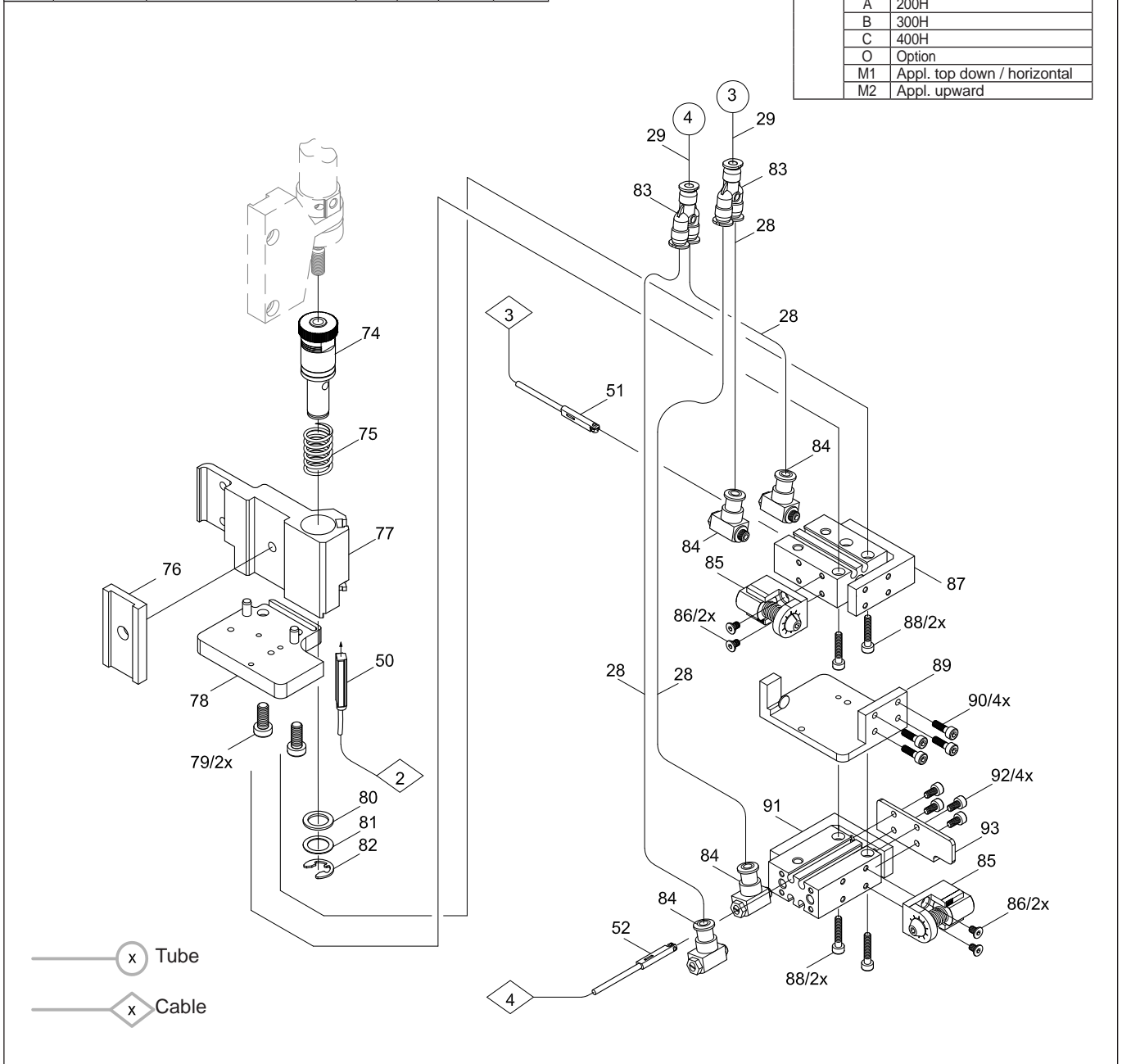
Note	L	Left
	R	Right
	A	200H
	B	300H
	C	400H
	O	Option



No.	Part-No.	Description	PU	Note	Serial No.	
					from	to
28	5966460.001	Tube Ø4	2m			
29	5966466.001	Tube Ø4	2m			
50.1	5964490.001	Sensor	1	A		
50.2	5964594.001	Sensor	1	B		
50.3	5964595.001	Sensor	1	C		
51.1	5971186.001	Sensor	1	A		
51.2	5971187.001	Sensor	1	B		
51.3	5971188.001	Sensor	1	C		
52.1	5971189.001	Sensor	1	A		
52.2	5971193.001	Sensor	1	B		
52.3	5971194.001	Sensor	1	C		
74	5955707.001	Adapter Bolt	1			
75.1	5905069.001	Spring	1	M1		
75.2	5905049.001	Spring	1	M2		
76	5979327.001	Adapter Rail	1	A/B		
77.1	5964236.001	Tamp Retainer	1	L		
77.2	5964241.001	Tamp Retainer	1	R		
78.1	5964278.001	Plate	1	L		
78.9	5966433.001	Plate	1	R		

No.	Part-No.	Description	PU	Note	Serial No.	
					from	to
79	5902281.001	Screw DIN7984-M5x12	10			
80	5521157.001	Washer	1			
81	5521158.001	Washer	1			
82	5903501.001	E-Ring DIN6799-7	10			
83	5905371.001	Push-in Y-Fitting	1			
84	5906636.001	One-way Flow Control Valve	1			
85	5950238.001	Adjusting Plate	1			
86	5902047.001	Screw DIN7991-M3x5	10			
87	5906690.001	Mini Slide Cylinder	1			
88	5902018.001	Screw DIN912-M3x16	10			
89	5964447.001	Cylinder Retainer	1	L		
90	5902010.001	Screw DIN912-M3x10	10			
91	5907119.001	Mini Carriage	1			
92	5902007.001	Screw DIN912-M3x6	10			
93.1	5964428.001	Adapter	1	L		
93.2	5966445.001	Adapter	1	R		

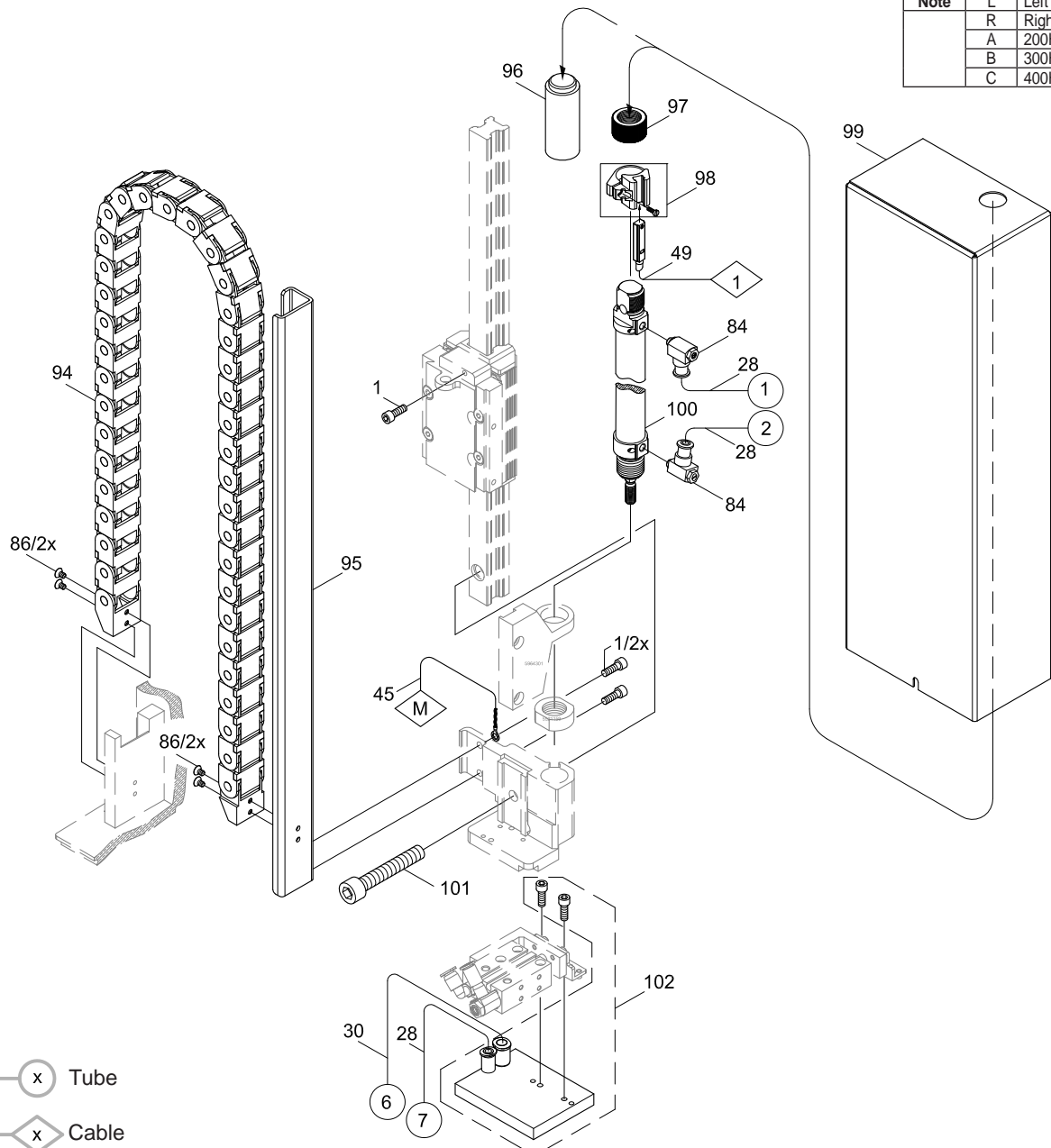
Note	L	Left
	R	Right
	A	200H
	B	300H
	C	400H
	O	Option
	M1	Appl. top down / horizontal
	M2	Appl. upward



No.	Part-No.	Description	PU	Note	Serial No.	
					from	to
1	5902489.001	Screw DIN7984-M4x8	10			
28	5966460.001	Tube Ø4	2m			
30	5966464.001	Tube Ø6	2m			
45.1	5964590.001	Cable	1	A		
45.2	5964591.001	Cable	1	B		
45.3	5964592.001	Cable	1	C		
49.1	5964454.001	Sensor	1	A		
49.2	5964494.001	Sensor	1	B		
49.3	5964495.001	Sensor	1	C		
84	5906636.001	One-way Flow Control Valve	1			
86	5902047.001	Screw DIN7991-M3x5	10			
94.1	5964373.001	Energy Track	1	A		
94.2	5964374.001	Energy Track	1	B		
94.3	5964375.001	Energy Track	1	C		
95.1	5964347.001	Bracket	1	A/L		
95.2	5964396.001	Bracket	1	A/R		
95.3	5964357.001	Bracket	1	B/L		
95.4	5964398.001	Bracket	1	B/R		

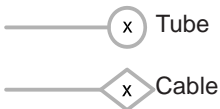
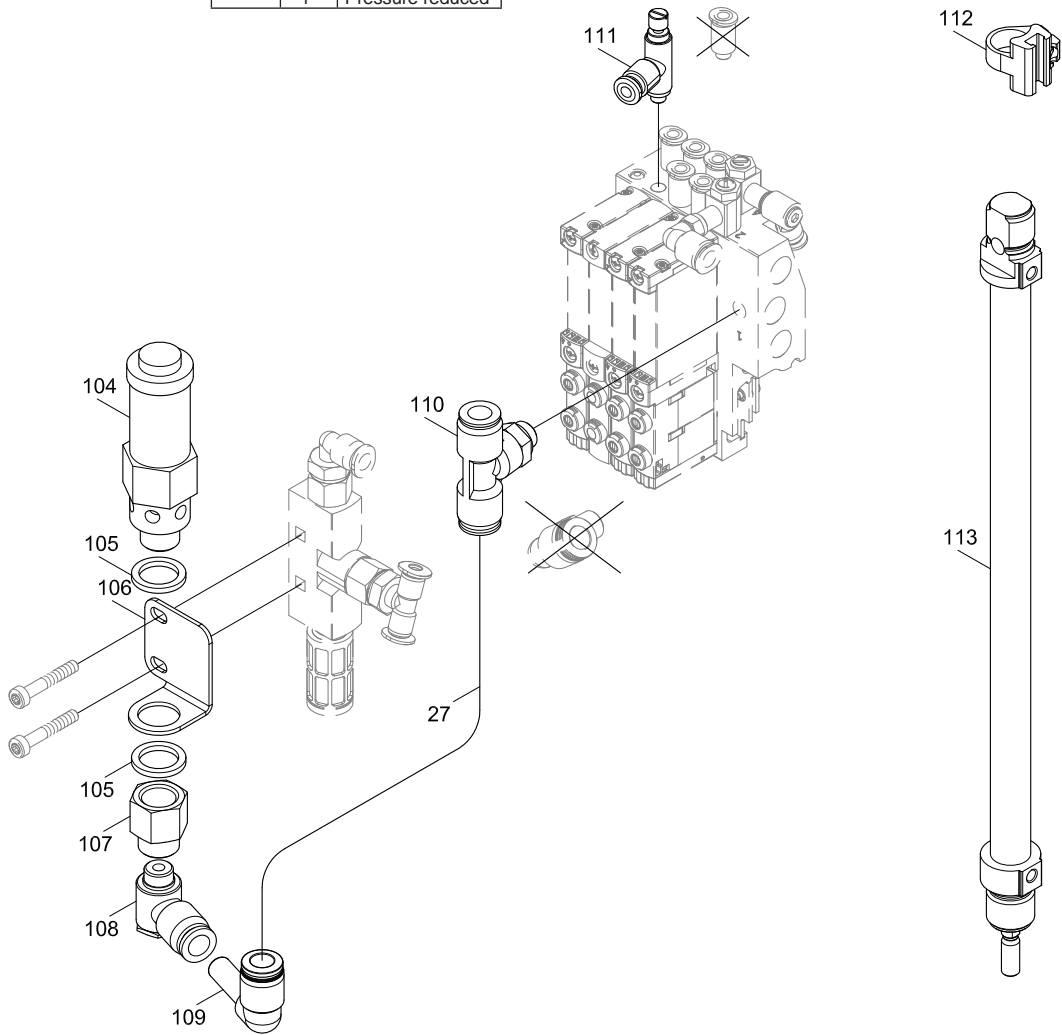
No.	Part-No.	Description	PU	Note	Serial No.	
					from	to
95.5	5964358.001	Bracket	1	C/L		
95.6	5964402.001	Bracket	1	C/R		
96	5964443.001	Bolt	1			
97	5964489.001	Knurled Nut	1			
98	5905593.001	Mounting Clip	1			
99.1	5964440.001	Cover	1	A/L		
99.2	5964451.001	Cover	1	A/R		
99.3	5964483.001	Cover	1	B/L		
99.4	5964453.001	Cover	1	B/R		
99.5	5964484.001	Cover	1	C/L		
99.6	5964485.001	Cover	1	C/R		
100.1	5906938.001	Cylinder	1	A		
100.2	5905973.001	Cylinder	1	B		
100.3	5906117.001	Cylinder	1	C		
101	5902895.001	Screw DIN7984-M 6x30	10			
102		Tamp	1			

Note	L	Left
	R	Right
	A	200H
	B	300H
	C	400H



No.	Part-No.	Description	PU	Note	Serial No.	
					from	to
27	5966465.001	Tube Ø8	2m			
104	5907526.001	Safety Valve	1	F		
105	5905130.001	Sealing Ring O-1/4-200	10	F		
106.1	5979137.001	Mount Safety Valve	1	L/F		
106.2	5979241.001	Mount Safety Valve	1	R/F		
107	5906887.001	Reducing Coupling	1	F		
108	5906913.001	Push-in L-Connector	1	F		
109	5907313.001	Push-in L-Connector	1	F		
110	5905316.001	Push-in T-Connector	1	F		
111	5979239.001	One-way Flow Control Valve	1	F		
112	5907074.001	Mounting Clip	1	F		
113.1	5907889.001	Cylinder	1	A/F		
113.2	5907890.001	Cylinder	1	B/F		

Note	L	Left
	R	Right
	A	200
	B	300
	F	Pressure reduced



Pos.	Figure/Page				No.	Part No.	Description	PU	SPR				Notes	Serial No.		
									from	to						
1				7	80	5521157.001	Washer	1	-	-	-	-				
2				7	81	5521158.001	Washer	1	-	-	-	-				
3			6		65	5521159.001	Nut	1	-	-	-	-				
4				7	92	5902007.001	Screw DIN912-M3x6	10	-	-	-	-				
5				7	90	5902010.001	Screw DIN912-M3x10	10	-	-	-	-				
6				7	88	5902018.001	Screw DIN912-M3x16	10	-	-	-	-				
7	3				14	5902021.001	Screw DIN7991-M3x6	10	-	-	-	-				
8				7	8	86	5902047.001	Screw DIN7991-M3x5	10	-	-	-	-			
9	3				17	5902167.001	Screw DIN912-M5x50	10	-	-	-	-				
10	3				6	5902241.001	Screw DIN7984-M4x10	10	-	-	-	-				
11				7		79	5902281.001	Screw DIN7984-M5x12	10	-	-	-	-			
12			6		73	5902375.001	Screw DIN7984-M6x10	10	-	-	-	-	C			
13	4				33	5902420.001	Screw DIN7984-M4x20	10	-	-	-	-				
14	3			8		1	5902489.001	Screw DIN7984-M4x8	10	-	-	-	-			
15			6		67	5902504.001	Nut DIN934-M6	10	-	-	-	-				
16			6		64	5902562.001	Screw DIN7984 M4x14	10	-	-	-	-				
17		5			46	5902571.001	Screw DIN7984-M4x6	10	-	-	-	-				
18			6		61	5902827.001	Screw DIN7984-M5x25	10	-	-	-	-				
19	3				16	5902837.001	Screw DIN7984-M4x8	10	-	-	-	-				
20		4	6		37	5902862.001	Screw DIN7984-M4x20	10	-	-	-	-				
21		4			22	5902863.001	Screw DIN7984-M4x25	10	-	-	-	-				
22				8	101	5902895.001	Screw DIN7984-M 6x30	10	-	-	-	-				
23	3				7	5903003.001	Washer DIN125-A4.3	10	-	-	-	-				
24			6		66	5903040.001	Washer DIN125-A6,4	10	-	-	-	-				
25	3				18	5903061.001	Lock Washer DIN127-B5	10	-	-	-	-				
26		4			103	5903089.001	Washer DIN988-4x8x1,0	10	-	-	-	-			15637	
27				7	82	5903501.001	E-Ring DIN6799-7	10	-	-	-	-				
28			6		60	5903505.001	E-Ring DIN6799-5	10	-	-	-	-				
29	3				12	5903525.001	E-Ring DIN 6799-4	10	-	-	-	-				
30	3				4	5904544.001	Spring	10	-	-	C	D				
31				7	75.2	5905049.001	Spring	1	-	-	C	D	M2			
32				7	75.1	5905069.001	Spring	1	-	-	C	D	M1			
33				9	105	5905130.001	Sealing Ring O-1/4-200	10	-	B	C	D	F			
34	4				40	5905257.001	Silencer	1	A	B	C	D				
35	4				42	5905283.001	Push-in/threaded Fitting	1	-	-	-	-				
36	4				24	5905284.001	Shut-off valve	1	-	-	-	-				
37	4				23	5905285.001	Push-in L-Connector	1	-	-	-	-				
38				9	110	5905316.001	Push-in T-Connector	1	-	-	-	-	F			
39				7		83	5905371.001	Push-in Y-Fitting	1	-	-	-	-			
40				8	98	5905593.001	Mounting Clip	1	-	-	-	-				
41	4				31	5905972.001	Push-in Y-Fitting	1	-	-	-	-				
42				8	100.2	5905973.001	Cylinder	1	-	-	C	D	B			
43				8	100.3	5906117.001	Cylinder	1	-	-	C	D	C			
44			7	8	84	5906636.001	One-way Flow Control Valve	1	A	B	C	D				
45			7		87	5906690.001	Mini Slide Cylinder	1	-	-	-	-				
46	4				26	5906842.001	Push-in/threaded Fitting	1	-	-	-	-				
47	4				39	5906844.001	Vacuum Generator	1	-	-	-	-				
48				9	107	5906887.001	Reducing Coupling	1	-	-	-	-	F			
49				9	108	5906913.001	Push-in L-Connector	1	-	-	-	-	F			
50	4				38	5906914.001	Push-in L-Connector	1	-	-	-	-				
51	4				41	5906915.001	Push-in T-Connector	1	-	-	-	-				
52				8	100.1	5906938.001	Cylinder	1	-	-	C	D	A			
53		5			47	5906943.001	Sealing Ring	10	-	-	-	-				
54				9	112	5907074.001	Mounting Clip	1	-	-	-	-	F			
55				7	91	5907119.001	Mini Carriage	1	-	-	-	-				
56				9	109	5907313.001	Push-in L-Connector	1	-	-	-	-	F			

PU Package unit

Note

L Left
R Right
A 200
B 300
C 400F Pressure reduced
M1 Appl. top down / horizontal
M2 Appl. upward
O Option

SPR Recommendation

A - wearing parts and accessories
B - recommended spare parts for quick repair
C - recommended spare parts for distributors
D - recommended spare parts for central stores

Pos.	Figure/Page					No.	Part No.	Description	PU	SPR					Notes	Serial No.	
57		4				35	5907428.001	Magnetic Valve	1	-	B	C	D				
58		4				36	5907429.001	Magnetic Valve	1	-	B	C	D				
59					9	104	5907526.001	Safety Valve	1	-	-	-	-	F			
60					9	113.1	5907889.001	Cylinder	1	-	-	-	-	A/F			
61					9	113.2	5907890.001	Cylinder	1	-	-	-	-	B/F			
62				7		85	5950238.001	Adjusting Plate	1	-	-	-	-				
63		5				54	5955575.001	Applicator Control	1	-	-	C	D				
64		5				44	5955586.001	Cable	1	-	-	C	D				
65				7		74	5955707.001	Adapter Bolt	1	-	-	-	-				
66	3					8.1	5964036.001	Mounting Plate	1	-	-	-	-	L			
67				6		58	5964061.001	Set Screw	1	-	-	-	-				
68	3					21	5964062.001	Binder	1	-	-	-	-				
69	3					11	5964090.001	Interlock	1	-	-	-	-				
70		4				43.2	5964095.001	Blow Tube 4"	1	-	-	-	-				
71	3					2	5964129.001	Cover	1	-	-	-	-				
72	3					8.2	5964185.001	Mounting Plate	1	-	-	-	-	R			
73				7		77.1	5964236.001	Tamp Retainer	1	-	-	-	-	L			
74				7		77.2	5964241.001	Tamp Retainer	1	-	-	-	-	R			
75		4				43.1	5964277.001	Blow Tube 2"	1	-	-	-	-				
76				7		78.1	5964278.001	Plate	1	-	-	-	-	L			
77				6		63.1	5964301.001	Holder	1	-	-	-	-	L			
78				6		59.3	5964302.001	Plate	1	-	-	-	-	L			
79	3					20.1	5964310.001	Clamping Element	1	-	-	-	-	L			
80	3					19.1	5964312.001	Crossbeam	1	-	-	-	-	L			
81	3					15.1	5964318.001	Adapter Profile	1	-	-	-	-	A/B			
82	3					20.2	5964328.001	Clamping Element	1	-	-	-	-	R			
83	3					19.2	5964331.001	Crossbeam	1	-	-	-	-	R			
84				6		63.2	5964336.001	Holder	1	-	-	-	-	R			
85				6		59.4	5964337.001	Plate	1	-	-	-	-	R			
86				6		56.2	5964343.001	Stopper	1	-	-	-	-	C/O			
87					8	95.1	5964347.001	Bracket	1	-	-	-	-	A/L			
88				6		68	5964349.001	Stopper	1	-	-	-	-				
89					8	95.3	5964357.001	Bracket	1	-	-	-	-	B/L			
90					8	95.5	5964358.001	Bracket	1	-	-	-	-	C/L			
91				6		57.2	5964364.001	Stopper	1	-	-	-	-	C			
92	3					5	5964367.001	Knurled Screw	1	-	-	-	-				
93					8	94.1	5964373.001	Energy Track	1	-	-	-	-	A			
94					8	94.2	5964374.001	Energy Track	1	-	-	-	-	B			
95					8	94.3	5964375.001	Energy Track	1	-	-	-	-	C			
96					8	95.2	5964396.001	Bracket	1	-	-	-	-	A/R			
97					8	95.4	5964398.001	Bracket	1	-	-	-	-	B/R			
98					8	95.6	5964402.001	Bracket	1	-	-	-	-	C/R			
99					7	93.1	5964428.001	Adapter	1	-	-	-	-	L			
100	3					13.1	5964429.001	Plate	1	-	-	-	-	L			
101	3					13.2	5964438.001	Plate	1	-	-	-	-	R			
102					8	99.1	5964440.001	Cover	1	-	-	-	-	A/L			
103					8	96	5964443.001	Bolt	1	-	-	-	-				
104					7	89	5964447.001	Cylinder Retainer	1	-	-	-	-	L			
105					8	99.2	5964451.001	Cover	1	-	-	-	-	A/R			
106					8	99.4	5964453.001	Cover	1	-	-	-	-	B/R			
107					5	8	49.1	5964454.001	Sensor	1	-	-	-	-	A		
108					8	99.3	5964483.001	Cover	1	-	-	-	-	B/L			
109					8	99.5	5964484.001	Cover	1	-	-	-	-	C/L			
110					8	99.6	5964485.001	Cover	1	-	-	-	-	C/R			
111					8	97	5964489.001	Knurled Nut	1	-	-	-	-				
112					5	7	50.1	5964490.001	Sensor	1	-	-	C	D	A		

PU Package unit
 SPR Recommendation
 A - wearing parts and accessories
 B - recommended spare parts for quick repair
 C - recommended spare parts for distributors
 D - recommended spare parts for central stores
 Note
 L Left
 R Right
 A 200
 B 300
 C 400
 F Pressure reduced
 M1 Appl. top down / horizontal
 M2 Appl. upward
 O Option

Pos.	Figure/Page				No.	Part No.	Description	PU	SPR				Notes	Serial No.	
									from	to					
113		5		8	49.2	5964494.001	Sensor	1	-	-	C	D	B		
114		5		8	49.3	5964495.001	Sensor	1	-	-	C	D	C		
115		5		8	45.1	5964590.001	Cable	1	-	-	C	D	A		
116		5		8	45.2	5964591.001	Cable	1	-	-	C	D	B		
117		5		8	45.3	5964592.001	Cable	1	-	-	C	D	C		
118		5	7		50.2	5964594.001	Sensor	1	-	-	C	D	B		
119		5	7		50.3	5964595.001	Sensor	1	-	-	C	D	C		
120		5			53	5964612.001	EEPROM	1	-	-	-	-			
121	4				43.3	5964614.001	Blow Tube 6"	1	-	-	-	-			
122	3				3	5965963.001	Set Screw	1	-	-	-	-			
123			6		72	5965966.001	Sliding Carriage	1	-	-	-	-	C		
124	4				25	5966414.001	Pressure Regulator	1	-	-	-	-	O		
125		5			55	5966417.001	Retainer	1	-	-	-	-			
126				7	78.9	5966433.001	Plate	1	-	-	-	-	R		
127				7	93.2	5966445.001	Adapter	1	-	-	-	-	R		
128	4		7	8	28	5966460.001	Tube Ø4	2m	-	B	C	D			
129	4	5			32	5966463.001	Tube Ø4	2m	-	B	C	D			
130	4			8	30	5966464.001	Tube Ø6	2m	-	B	C	D			
131	4			9	27	5966465.001	Tube Ø8	2m	-	B	C	D			
132	4		7		29	5966466.001	Tube Ø4	2m	-	B	C	D			
133			6		70.1	5966524.001	Bracket	1	-	-	-	-	C/L		
134			6		70.2	5966528.001	Bracket	1	-	-	-	-	CR		
135	3				10.1	5966529.001	Hinges	1	-	-	-	-	L		
136	3				9	5966530.001	Eccentric	1	-	-	-	-			
137	3				10.2	5966531.001	Hinges	1	-	-	-	-	R		
138	3				15.2	5970013.001	Adapter Profile	1	-	-	-	-	C/L		
139	3				15.3	5970014.001	Adapter Profile	1	-	-	-	-	C/R		
140		5	7		51.1	5971186.001	Sensor	1	-	-	C	D	A		
141		5	7		51.2	5971187.001	Sensor	1	-	-	C	D	B		
142		5	7		51.3	5971188.001	Sensor	1	-	-	C	D	C		
143		5	7		52.1	5971189.001	Sensor	1	-	-	C	D	A		
144		5	7		52.2	5971193.001	Sensor	1	-	-	C	D	B		
145		5	7		52.3	5971194.001	Sensor	1	-	-	C	D	C		
146		5			48.1	5971416.001	PCB Applicator Interfaces	1	-	B	C	D	L		
147		5			48.2	5971417.001	PCB Applicator interfaces	1	-	B	C	D	R		
148	4				34.1	5976156.001	Valve Block	1	-	-	-	-	L		
149	4				34.2	5976157.001	Valve Block	1	-	-	-	-	R		
150				9	106.1	5979137.001	Mount Safety Valve	1	-	-	-	-	L/F		
151				9	111	5979239.001	One-way Flow Control Valve	1	-	-	-	-	F		
152				9	106.2	5979241.001	Mount Safety Valve	1	-	-	-	-	R/F		
153			6		69	5979307.001	Guide Rail	1	-	-	-	-	C		
154			7		76	5979327.001	Adapter Rail	1	-	-	-	-	A/B		
155			6		62.1	5979331.001	Guide Rail with Carriage	1	-	-	-	-	A		
156			6		62.2	5979342.001	Guide Rail with Carriage	1	-	-	-	-	B		
157			6		59.1	5979349.001	Plate	1	-	-	-	-	L		
158			6		57.1	5979353.001	Stopper	1	-	-	-	-	A/B		
159			6		59.2	5979417.001	Plate	1	-	-	-	-	R		
160			6		56.1	5979483.001	Stopper	1	-	-	-	-	A/B/O		

9 Packaging / Accessories

Pos.	Figure/Page				No.	Part No.	Description	PU	SPR				Notes	Serial No.	
									from	to					
161						9109134.001	Packaging	1	-	-	-	-			

PU Package unit

Note

L Left
R Right
A 200
B 300
C 400

F Pressure reduced
M1 Appl. top down / horizontal
M2 Appl. upward
O Option

SPR Recommendation

A - wearing parts and accessories
B - recommended spare parts for quick repair
C - recommended spare parts for distributors
D - recommended spare parts for central stores