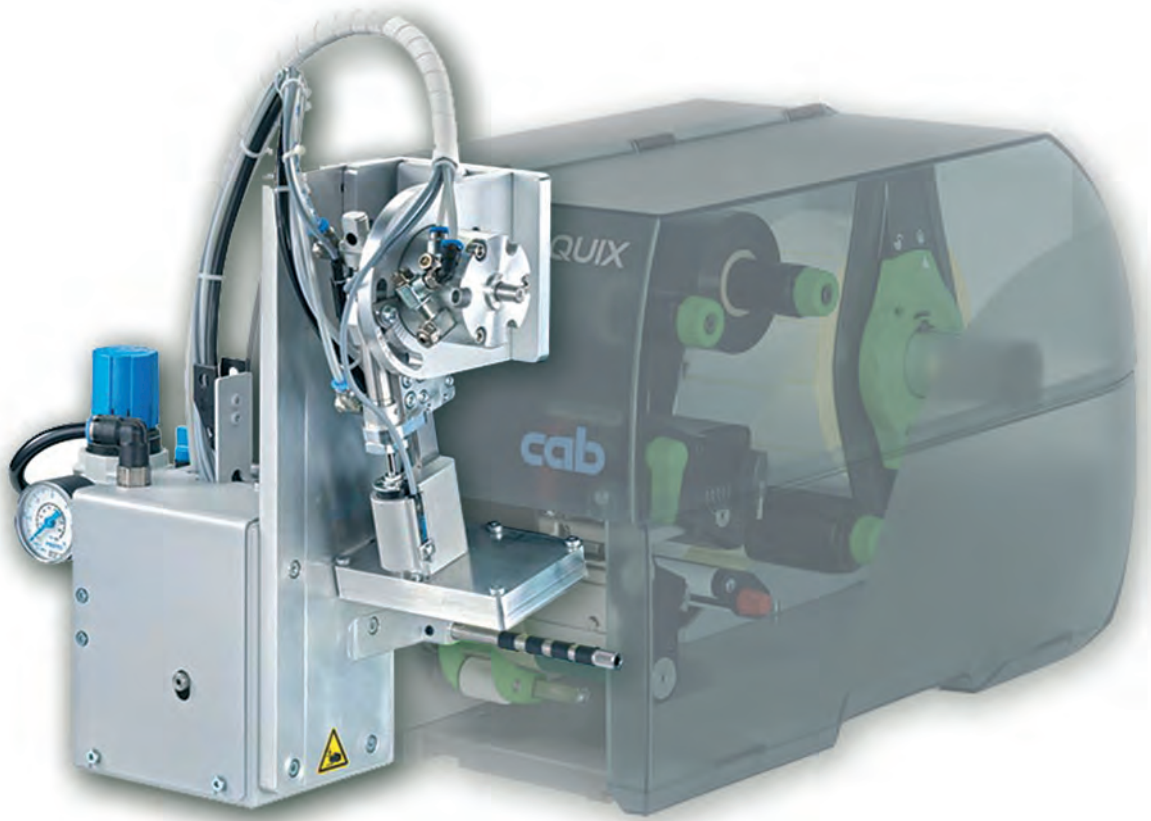


Spare Parts List



Applicator

S3200

2 Spare parts list for the following products

2

Family	
Applikator	S3200

Edition: 04/2019 - Part.-No. 9003226

Contents

1	Spare Parts.....	3
1.1.....	Chassis, Control unit.....	3
1.2.....	Pneumatics	4
1.3.....	Electronics.....	5
1.4.....	Turn cylinder assembly	6
1.5.....	Lift cylinder assembly.....	7
2	Spare Parts Index	8

Copyright

This documentation as well as translation hereof are property of cab Produkttechnik GmbH & Co. KG. The replication, conversion, duplication or divulgement of the whole manual or parts of it for other intentions than its original intended purpose - in particular the procurement of spare parts for products sold by cab – demand the previous written authorisation by cab.

Editor

Regarding questions or comments please contact cab Produkttechnik GmbH & Co. KG.

Topicality

Due to the constant further development of our products discrepancies between documentation and product can occur. Please check www.cab.de for the latest update.

Terms and conditions

Deliveries and performances are effected under the "General conditions of sale of cab.

Germany
cab Produkttechnik GmbH & Co KG
Karlsruhe
Phone +49 721 6626 0
www.cab.de

USA
cab Technology, Inc.
Chelmsford, MA
Phone +1 978 250 8321
www.cab.de/us

Taiwan
cab Technology Co., Ltd.
Taipei
Phone +886 (02) 8227 3966
www.cab.de/tw

China
cab (Shanghai) Trading Co., Ltd.
Guangzhou
Phone +86 (020) 2831 7358
www.cab.de/cn

France
cab Technologies S.à.r.l.
Niedermodern
Phone +33 388 722501
www.cab.de/fr

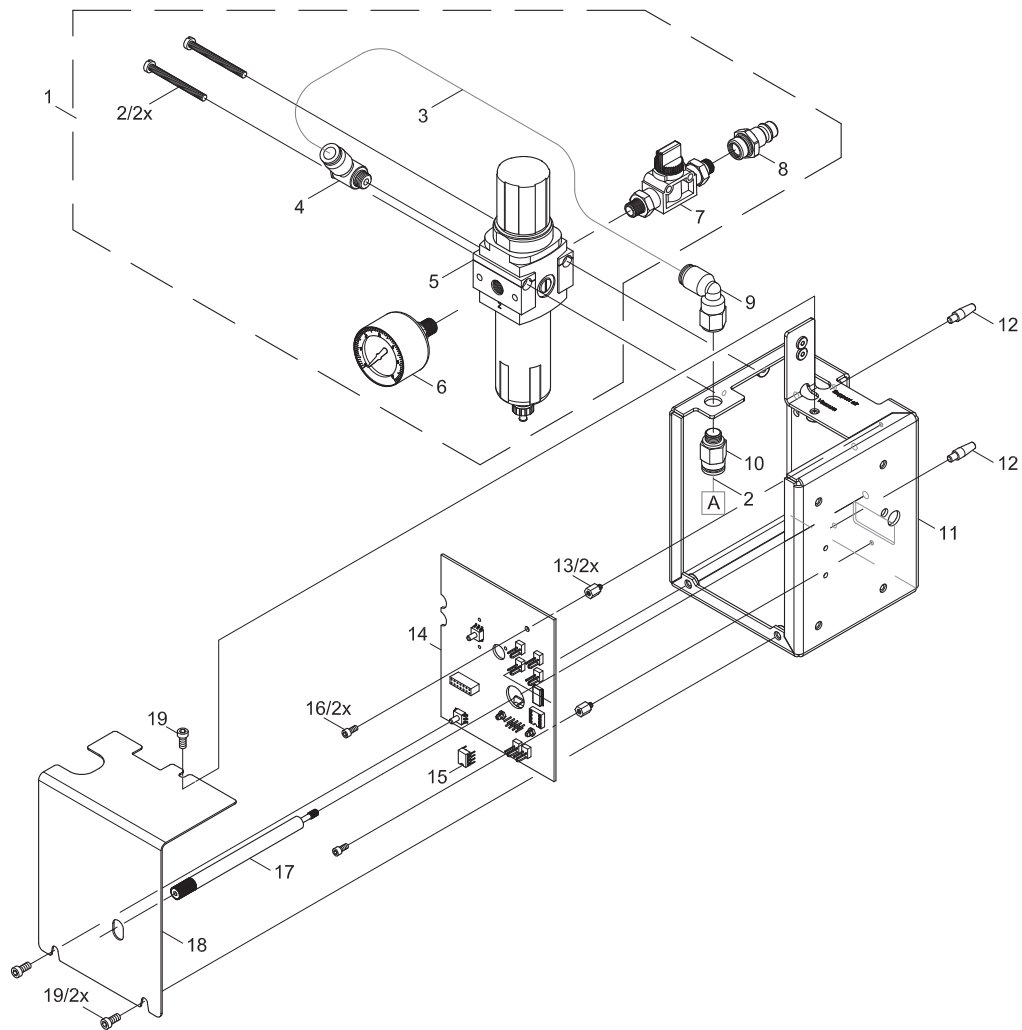
Mexico
cab Technology, Inc.
Juárez
Phone +52 656 682 4301
www.cab.de/es

China
cab (Shanghai) Trading Co., Ltd.
Shanghai
Phone +86 (021) 6236 3161
www.cab.de/cn

South Africa
cab Technology (Pty) Ltd.
Randburg
Phone +27 11 886 3580
www.cab.de/za

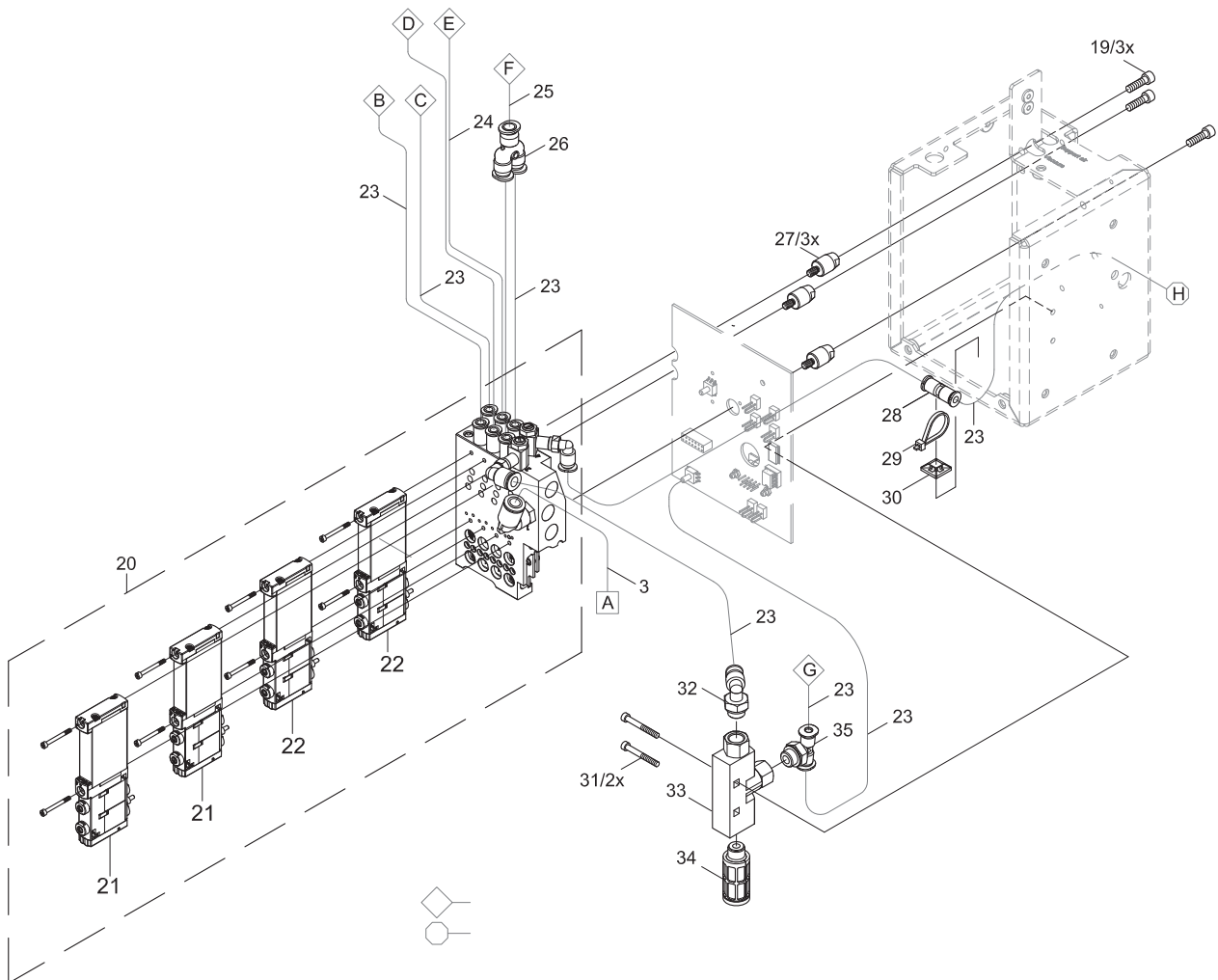
1.1 Chassis, Control unit

No	Part No.	Description	PU	Note	Serial No.	
					from	to
1	5979024.001	Service Unit	1			
2	5902449.001	Screw DIN7984-M4x40	10			
3	5966465.001	Tube	2m			
4	5906913.001	Push-in L-Connector	1			
5	5907339.001	Filter Regulator	1			
6	5907340.001	Manometer	1			
7	5907338.001	Block Valve	1			
8	5907337.001	Coupling Plug	1			
9	5905285.001	Push-in L-Connector	1			
10	5905667.001	Push-in/threaded Fitting	1			
11	5978948.001	Frame	1			
12	5949144.001	Center Pin	1			
13	5949058.001	Distance Bolt M3x7.5	1			
14	5978992.001	PCB Control	1			
15	5976094.001	EEPROM	1			
16	5902010.001	Screw DIN912-M3x10	10			
17	5978945.001	Knurled Screw	1			
18	5978950.001	Cover	1			
19	5902241.001	Screw DIN7984-M4x10	10			



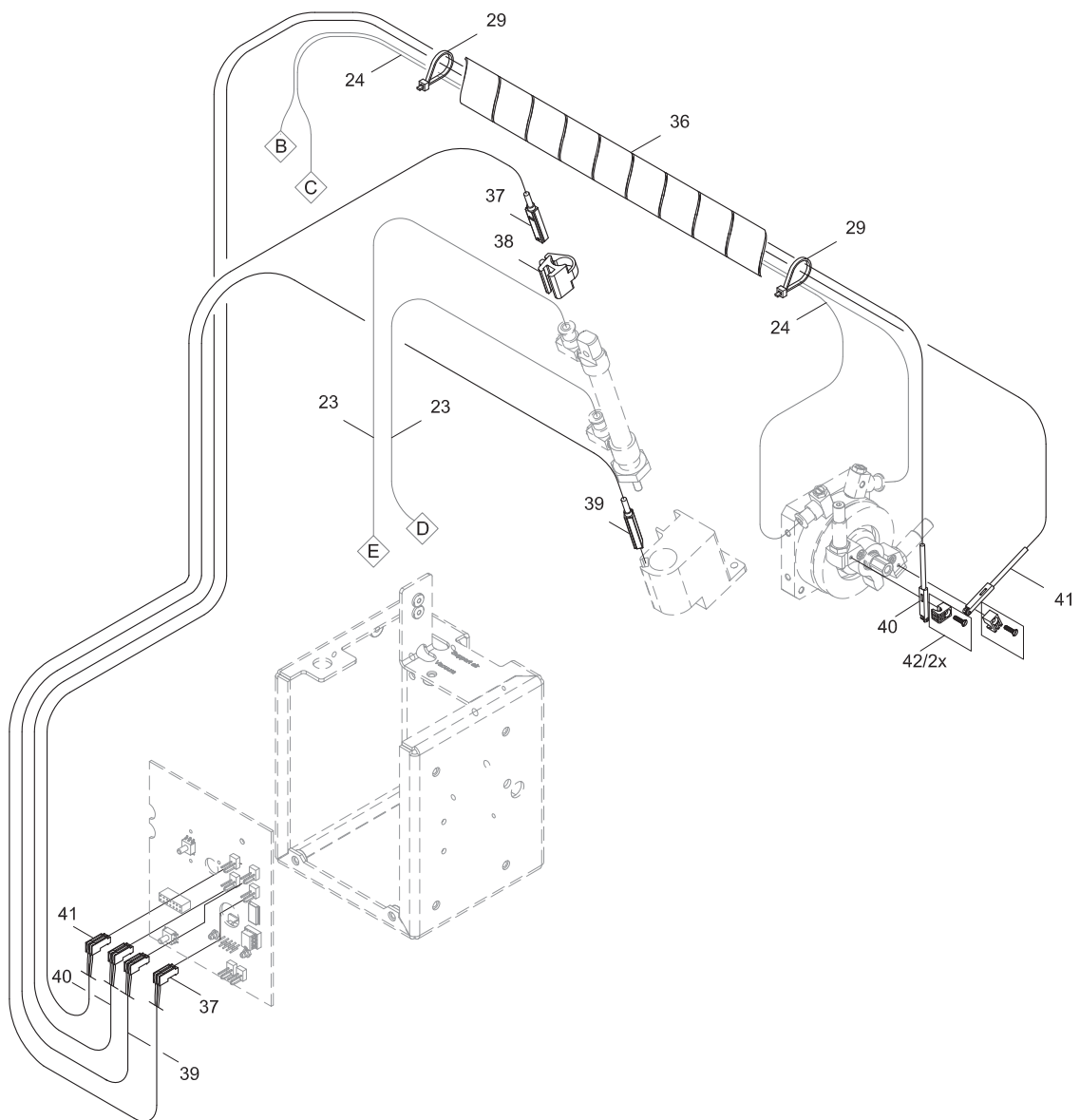
1.2 Pneumatics

No	Part No.	Description	PU	Note	Serial No.	
					from	to
3	5966465.001	Tube	2m			
19	5902241.001	Screw DIN7984-M4x10	10			
20	5907276.001	Valve Block	1			
21	5907428.001	Valve	1			
22	5907429.001	Valve	1			
23	5966460.001	Tube	2m			
24	5966466.001	Tube	2m			
25	5966461.001	Tube	2m			
26	5905972.001	Push-in Y-Fitting	1			
27	5949469.001	Distance Bolt	1			
28	5905603.001	Push-in/threaded Fitting	1			
29	5901505.001	Cable Clamp L=102	10			
30	5905124.001	Adhesive Plate 12.7x12.7	10			
31	5902860.001	Screw DIN7984-M3x20	10			
32	5906914.001	Push-in L-Connector	1			
33	5906844.001	Vacuum Generator	1			
34	5905257.001	Silencer	1			
35	5906915.001	Push-in T-Connector	1			
36	5966584.001	Spiral Tube	1			



1.3 Electronics

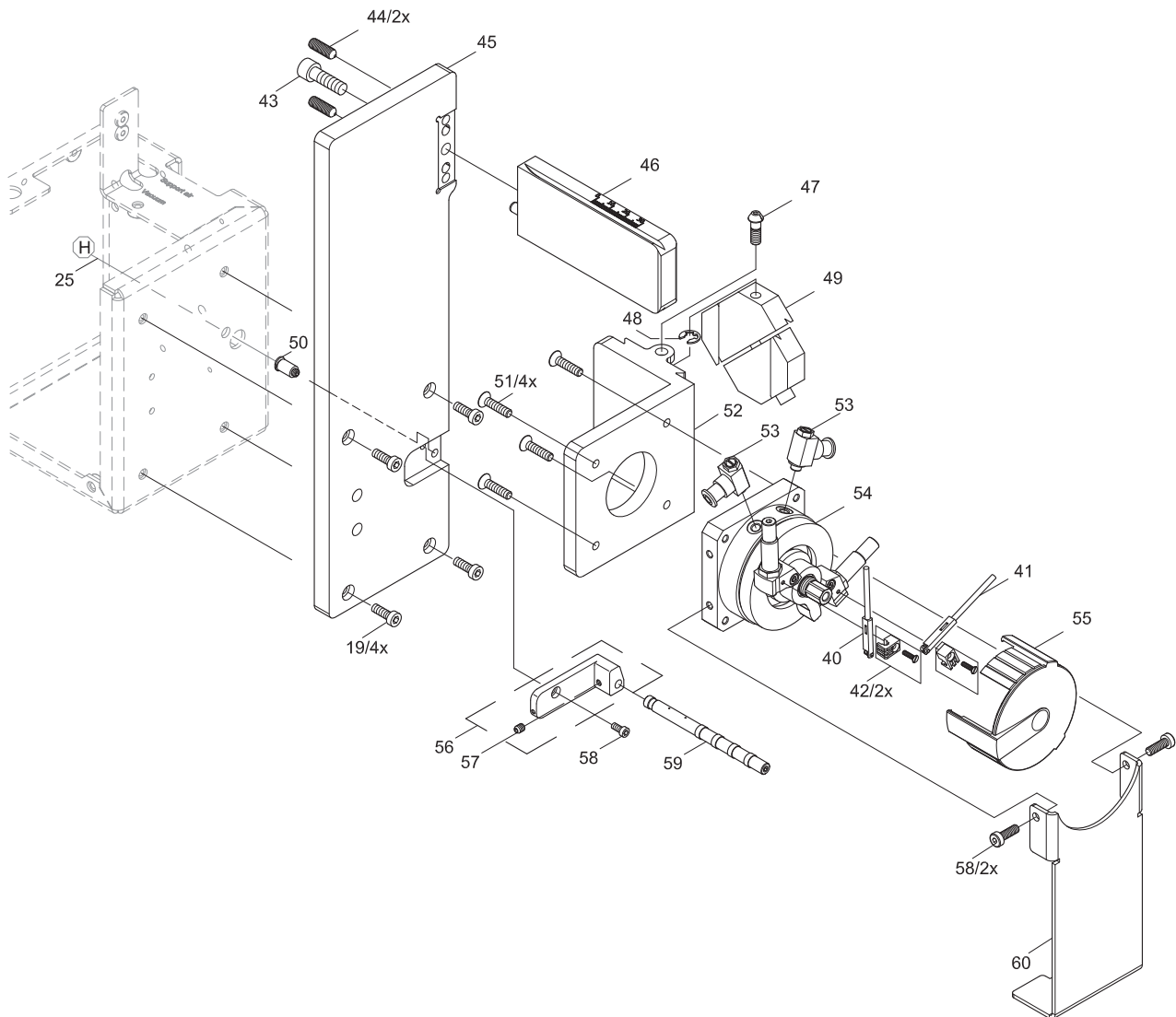
No	Part No.	Description	PU	Note	Serial No.	
					from	to
23	5966460.001	Tube	2m			
24	5966466.001	Tube	2m			
29	5901505.001	Cable Clamp L=102	10			
36	5966584.001	Spiral Tube	1			
37	5979017.001	Sensor	1			
38	5906646.001	Mounting Clip	1			
39	5979016.001	Sensor	1			
40	5979018.001	Sensor	1			
41	5979019.001	Sensor	1			
42	5907061.001	Sensor Retainer	1			



1.4 Turn cylinder assembly

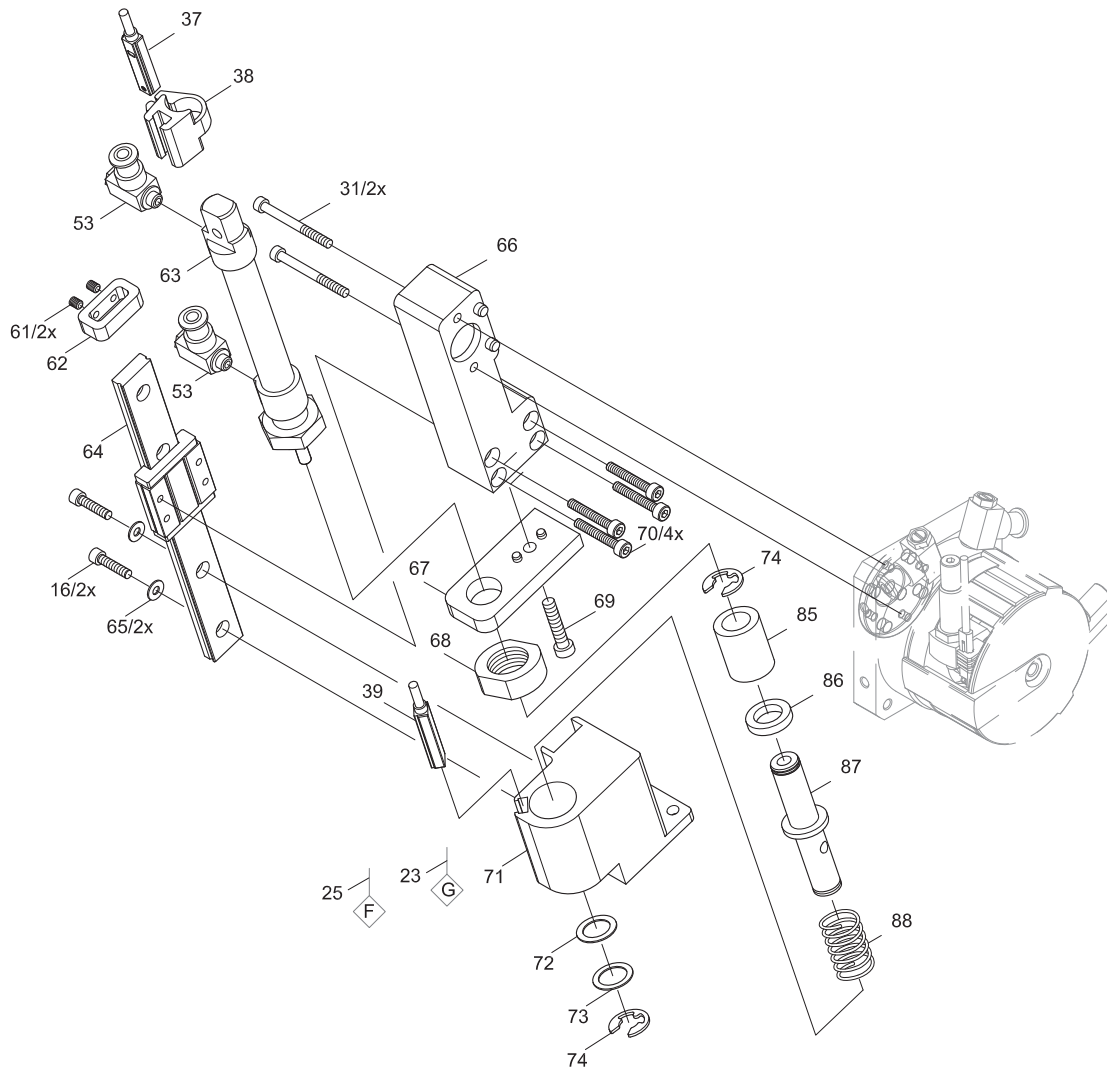
No	Part No.	Description	PU	Note	Serial No.	
					from	to
19	5902241.001	Screw DIN7984-M4x10	10			
25	5966461.001	Tube	2m			
40	5979018.001	Sensor	1			
41	5979019.001	Sensor	1			
42	5907061.001	Sensor Retainer	1			
43	5902124.001	Screw DIN912 M6x16	10			
44	5904568.001	Set Screw DIN916-M5x12	10			
45	5976038.001	Mounting Plate	1			
46	5976045.001	Crossbeam	1			
47	5964061.001	Setting Screw	1			
48	5903505.001	E-Ring DIN6799-5	10			
49	5964062.001	Binder	1			

No	Part No.	Description	PU	Note	Serial No.	
					from	to
50	5905283.001	Push-in/threaded Fitting	1			
51	5902143.001	Screw DIN7991-M4x16	10			
52	5976043.001	Adjusting Bracket	1			
53	5906636.001	One-way Flow Control Valve	1			
54	5966923.001	Swing Drive	1			
55	5907066.001	Cover	1			
56	5949145.001	Blow Tube Retainer	1			
57	5904518.001	Set Screw DIN916-M5x5	10			
58	5902358.001	Screw DIN7984-M4x6	10			
59	5949101.001	Blow Tube	1			
60	5966985.001	Transport Locking	1			



1.5 Lift cylinder assembly

No	Part No.	Description	PU	Note	Serial No.		No	Part No.	Description	PU	Note	Serial No.	
					from	to						from	to
16	5902010.001	Screw DIN912-M3x10	10				66	5966924.001	Pivot Arm	1			
23	5966460.001	Tube	2m				67	5966538.001	Retainer	1			
25	5966461.001	Tube	2m				68	5521159.001	Nut	1			
31	5902860.001	Screw DIN7984-M3x20	10				69	5902562.001	Screw DIN7984-M4x14	10			
37	5979017.001	Sensor	1				70	5902011.001	Screw DIN912-M3x20	10			
38	5906646.001	Mounting Clip	1				71	5966534.001	Tamp Retainer	1			
39	5979016.001	Sensor	1				72	5521158.001	Washer	1			
53	5906636.001	One-way Flow Control Valve	1				73	5521157.001	Washer	1			
61	5904528.001	Set Screw DIN913-M3x4	10				74	5903501.001	E-Ring DIN6799-7	10			
62	5966918.001	Stopper	1				85	5941808.001	Bushing	1			
63	5906645.001	Cylinder	1				86	5905602.001	Ring Magnet	1			
64	5917932.001	Guide	1				87	5949191.001	Adapter Bolt	1			
65	5903004.001	Washer DIN125-A3.2	10				88	5905096.001	Spring	5			



Pos.	Figure/Page				No.	Part No.	Description	PU	SPR				Notes	Serial No.	
														from	to
1				7	73	5521157.001	Washer	1							
2				7	72	5521158.001	Washer	1							
3				7	68	5521159.001	Nut	1							
4		4	5		29	5901505.001	Cable Clamp L=102	10							
5	3			7	16	5902010.001	Screw DIN912-M3x10	10							
6				7	70	5902011.001	Screw DIN912-M3x20	10							
7				6	43	5902124.001	Screw DIN912 M6x16	10							
8				6	51	5902143.001	Screw DIN7991-M4x16	10							
9	3	4		6	19	5902241.001	Screw DIN7984-M4x10	10							
10				6	58	5902358.001	Screw DIN7984-M4x6	10							
11	3				2	5902449.001	Screw DIN7984-M4x40	10							
12				7	69	5902562.001	Screw DIN7984-M4x14	10							
13		4		7	31	5902860.001	Screw DIN7984-M3x20	10							
14				7	65	5903004.001	Washer DIN125-A3.2	10							
15				7	74	5903501.001	E-Ring DIN6799-7	10							
16				6	48	5903505.001	E-Ring DIN6799-5	10							
17				6	57	5904518.001	Set Screw DIN916-M5x5	10							
18				7	61	5904528.001	Set Screw DIN913-M3x4	10							
19				6	44	5904568.001	Set Screw DIN916-M5x12	10							
20				7	88	5905096.001	Spring	5							
21		4			30	5905124.001	Adhesive Plate 12.7x12.7	10							
22		4			34	5905257.001	Silencer	1		B	C	D			
23				6	50	5905283.001	Push-in/threaded Fitting	1							
24	3				9	5905285.001	Push-in L-Connector	1							
25				7	86	5905602.001	Ring Magnet	1							
26		4			28	5905603.001	Push-in/threaded Fitting	1							
27	3				10	5905667.001	Push-in/threaded Fitting	1							
28		4			26	5905972.001	Push-in Y-Fitting	1							
29				6	7	53	5906636.001	One-way Flow Control Valve	1						
30				7	63	5906645.001	Cylinder	1			C	D			
31			5	7	38	5906646.001	Mounting Clip	1							
32		4			33	5906844.001	Vacuum Generator	1			C	D			
33	3				4	5906913.001	Push-in L-Connector	1							
34		4			32	5906914.001	Push-in L-Connector	1							
35		4			35	5906915.001	Push-in T-Connector	1							
36			5	6	42	5907061.001	Sensor Retainer	1							
37				6	55	5907066.001	Cover	1							
38		4			20	5907276.001	Valve Block	1							
39	3				8	5907337.001	Coupling Plug	1							
40	3				7	5907338.001	Block Valve	1							
41	3				5	5907339.001	Filter Regulator	1							
42	3				6	5907340.001	Manometer	1							
43		4			21	5907428.001	Valve	1	A	B	C	D			
44		4			22	5907429.001	Valve	1	A	B	C	D			
45				7	64	5917932.001	Guide	1							
46				7	85	5941808.001	Bushing	1							
47	3				13	5949058.001	Distance Bolt M3x7.5	1							
48				6	59	5949101.001	Blow Tube	1							
49	3				12	5949144.001	Center Pin	1							
50				6	56	5949145.001	Blow Tube Retainer	1							
51				7	87	5949191.001	Adapter Bolt	1							
52		4			27	5949469.001	Distance Bolt	1							
53				6	47	5964061.001	Setting Screw	1							
54				6	49	5964062.001	Binder	1							
55		4	5	7	23	5966460.001	Tube	2m							
56		4		6	7	25	5966461.001	Tube	2m						

PU Package unit

Notes

SPR Recommendation

A - wearing parts and accessories

B - recommended spare parts for quick repair

C - recommended spare parts for distributors

D - recommended spare parts for central stores

Pos.	Figure/Page				No.	Part No.	Description	PU	SPR				Notes	Serial No.	
									from	to					
57	3	4			3	5966465.001	Tube	2m							
58		4	5		24	5966466.001	Tube	2m							
59				7	71	5966534.001	Tamp Retainer	1							
60				7	67	5966538.001	Retainer	1							
61		4			36	5966584.001	Spiral Tube	1							
62				7	62	5966918.001	Stopper	1							
63				6	54	5966923.001	Swing Drive	1			C	D			
64				7	66	5966924.001	Pivot Arm	1							
65				6	60	5966985.001	Transport Locking	1							
66				6	45	5976038.001	Mounting Plate	1							
67				6	52	5976043.001	Adjusting Bracket	1							
68				6	46	5976045.001	Crossbeam	1							
69	3				15	5976094.001	EEPROM	1							
70	3				17	5978945.001	Knurled Screw	1							
71	3				11	5978948.001	Frame	1							
72	3				18	5978950.001	Cover	1							
73	3				14	5978992.001	PCB Control	1							
74			5	7	39	5979016.001	Sensor	1		B	C	D			
75			5	7	37	5979017.001	Sensor	1		B	C	D			
76			5	6	40	5979018.001	Sensor	1		B	C	D			
77			5	6	41	5979019.001	Sensor	1		B	C	D			
78	3				1	5979024.001	Service Unit	1							

PU Package unit

Notes

SPR Recommendation

- A - wearing parts and accessories
- B - recommended spare parts for quick repair
- C - recommended spare parts for distributors
- D - recommended spare parts for central stores