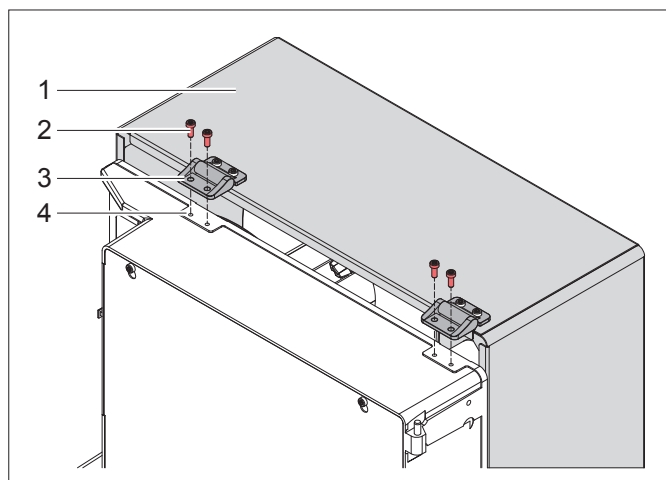


Assembly Instructions

Cover HERMES Q

Edition: 08/2020 · Part No. 9003602

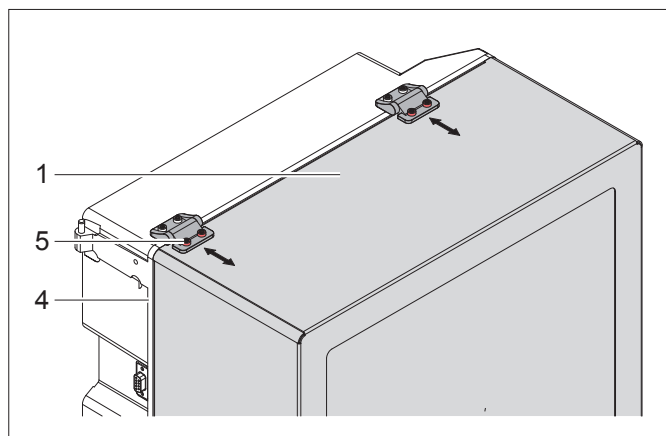


Contents of Delivery

- Cover (1) with mounted hinges (3)
- 4 Screws M4x10 (2)

Mounting

- ▶ Put the cover (1) with the hinges (3) onto the frame (4) of the printer.
- ▶ Attach the hinges with screws (2) to the drillings of the frame.



Adjustment

If the cover does not touch the frame evenly, the cover can be adjusted at the hinges.

- ▶ Loosen screws (5).
- ▶ Push the cover (1) against the frame (4) until the cover touches the frame evenly.
- ▶ Tighten the screws (5).

Germany
cab Produkttechnik GmbH & Co KG
Karlsruhe
Phone +49 721 6626 0
www.cab.de

USA
cab Technology, Inc.
Chelmsford, MA
Phone +1 978 250 8321
www.cab.de/us

Taiwan
cab Technology Co., Ltd.
Taipei
Phone +886 (02) 8227 3966
www.cab.de/tw

China
cab (Shanghai) Trading Co., Ltd.
Guangzhou
Phone +86 (020) 2831 7358
www.cab.de/cn

France
cab Technologies S.à.r.l.
Niedermodern
Phone +33 388 722501
www.cab.de/fr

Mexico
cab Technology, Inc.
Juárez
Phone +52 656 682 4301
www.cab.de/es

China
cab (Shanghai) Trading Co., Ltd.
Shanghai
Phone +86 (021) 6236 3161
www.cab.de/cn

South Africa
cab Technology (Pty) Ltd.
Randburg
Phone +27 11 886 3580
www.cab.de/za