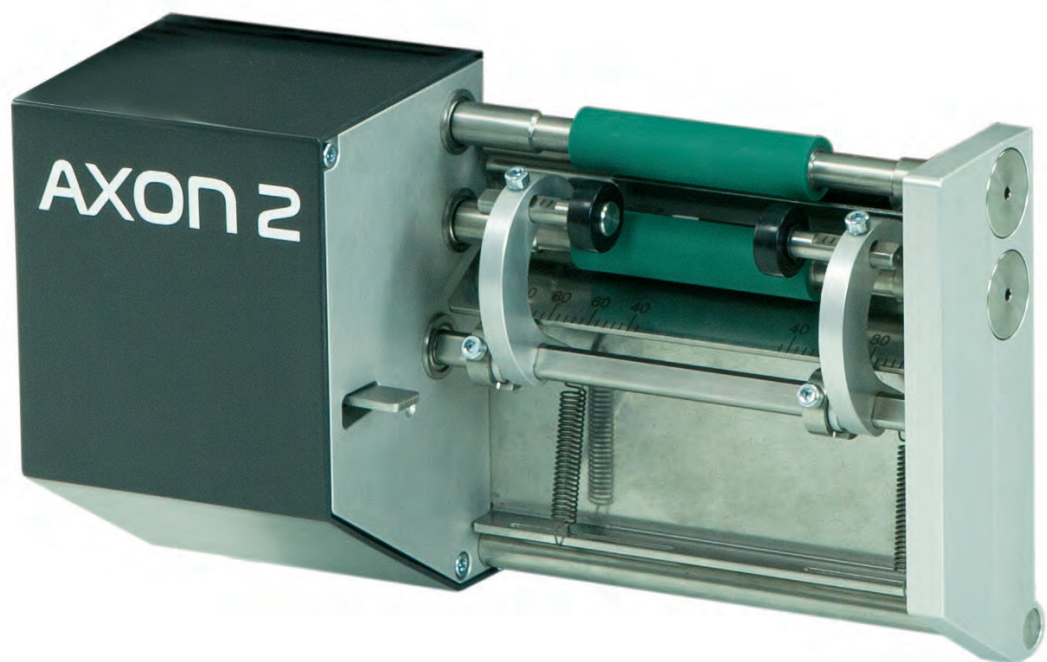


Spare Parts List



Tube Applicator

AXON 2 / AXON 2.1

MADE IN GERMANY

| Type | |
|-----------------|----------|
| Tube Applicator | AXON 2 |
| Tube Applicator | AXON 2.1 |

Table of Contents

| | | |
|---|--------------------------|---|
| 1 | Frame, Rollers | 3 |
| 2 | Drive, Electronics | 4 |
| 3 | Swinging System | 5 |
| 4 | Spare Parts Index | 6 |
| 5 | Packaging | 6 |

Edition: 07/2020 - Part No. 9003467

Copyright

This documentation, as well as translations thereof, are the property of cab Produkttechnik GmbH & Co. KG.

The replication, conversion, duplication or distribution of the whole manual or parts thereof for purposes other than its original intended purpose require previous written authorization by cab.

Any software that is part of this system is made available under license and may be used or copied only in agreement with the license conditions.

Trademark

Microsoft® is a registered trademark of the Microsoft Corporation.

Editor

Regarding questions or suggestions, please contact cab Produkttechnik GmbH & Co. KG, Germany.

Topicality

Due to the constant further development of our products, discrepancies between documentation and product may occur. For the current edition, please see www.cab.de.

Terms and conditions

Deliveries and services are carried out according to the general sales conditions of cab.

Germany
cab Produkttechnik GmbH & Co KG
Karlsruhe
Phone +49 721 6626 0
www.cab.de

USA
cab Technology, Inc.
Chelmsford, MA
Phone +1 978 250 8321
www.cab.de/us

Taiwan
cab Technology Co., Ltd.
Taipei
Phone +886 (02) 8227 3966
www.cab.de/tw

China
cab (Shanghai) Trading Co., Ltd.
Guangzhou
Phone +86 (020) 2831 7358
www.cab.de/cn

France
cab Technologies S.à.r.l.
Niedermodern
Phone +33 388 722501
www.cab.de/fr

Mexico
cab Technology, Inc.
Juárez
Phone +52 656 682 4301
www.cab.de/es

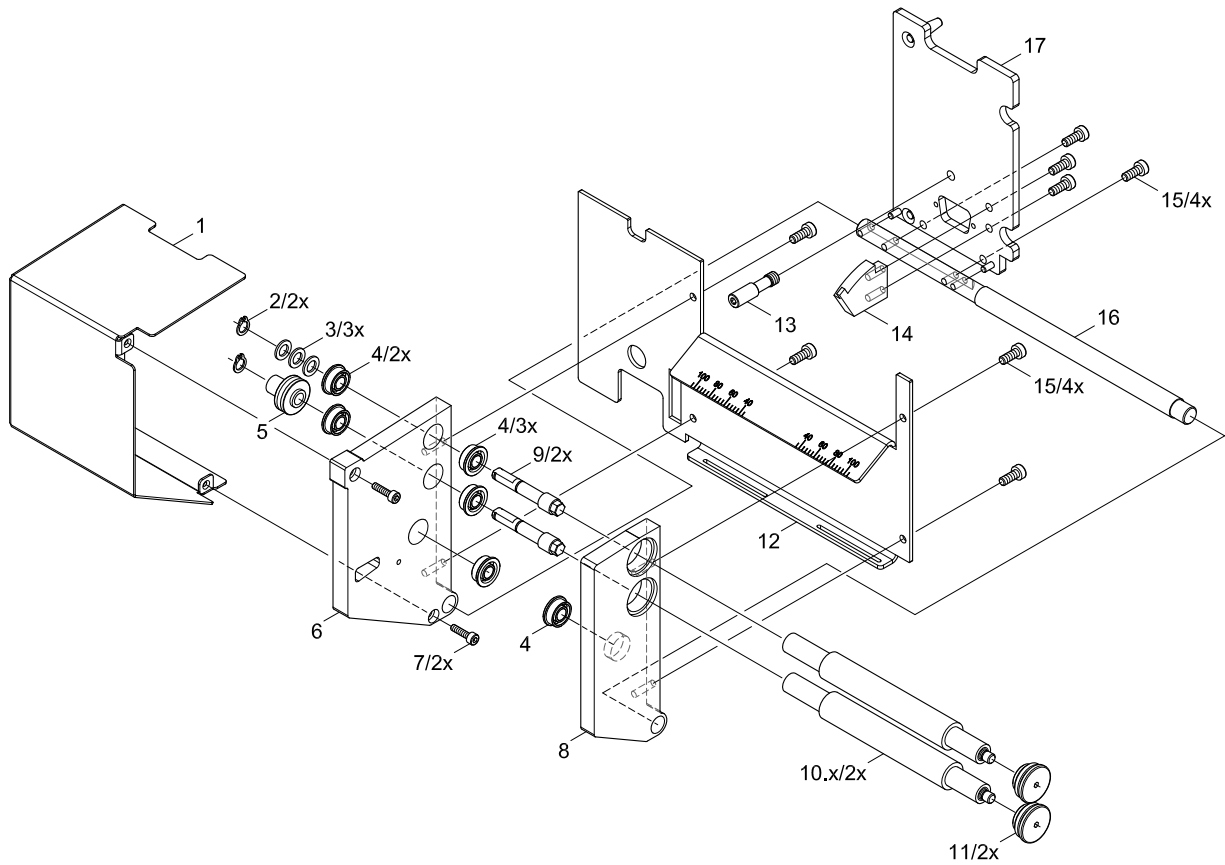
China
cab (Shanghai) Trading Co., Ltd.
Shanghai
Phone +86 (021) 6236 3161
www.cab.de/cn

South Africa
cab Technology (Pty) Ltd.
Randburg
Phone +27 11 886 3580
www.cab.de/za

| No. | Part No. | Description | PU | Notes | Serial No. | |
|------|-------------|-----------------------------|----|-------|------------|----|
| | | | | | from | to |
| 1 | 5979687.001 | Cover | 1 | | | |
| 2 | 5903521.001 | Snap Ring DIN471-A6 | 10 | | | |
| 3 | 5903079.001 | Washer DIN988-6x10x1.0 | 10 | | | |
| 4 | 5901076.001 | Ball Bearing DIN625-F686-ZZ | 1 | | | |
| 5 | 5979381.001 | Pulley | 1 | | | |
| 6 | 5979729.001 | Plate | 1 | | | |
| 7 | 5902009.001 | Screw DIN912-M3x12 | 10 | | | |
| 8 | 5979396.001 | Plate | 1 | | | |
| 10.1 | 5954180.001 | Drive Roller DR4 | 1 | a | | |
| 10.2 | 5979672.001 | Transport Roller TRV | 1 | b | | |
| 10.3 | 59xxxxx.001 | Transport Roller TRK | 1 | c | | |

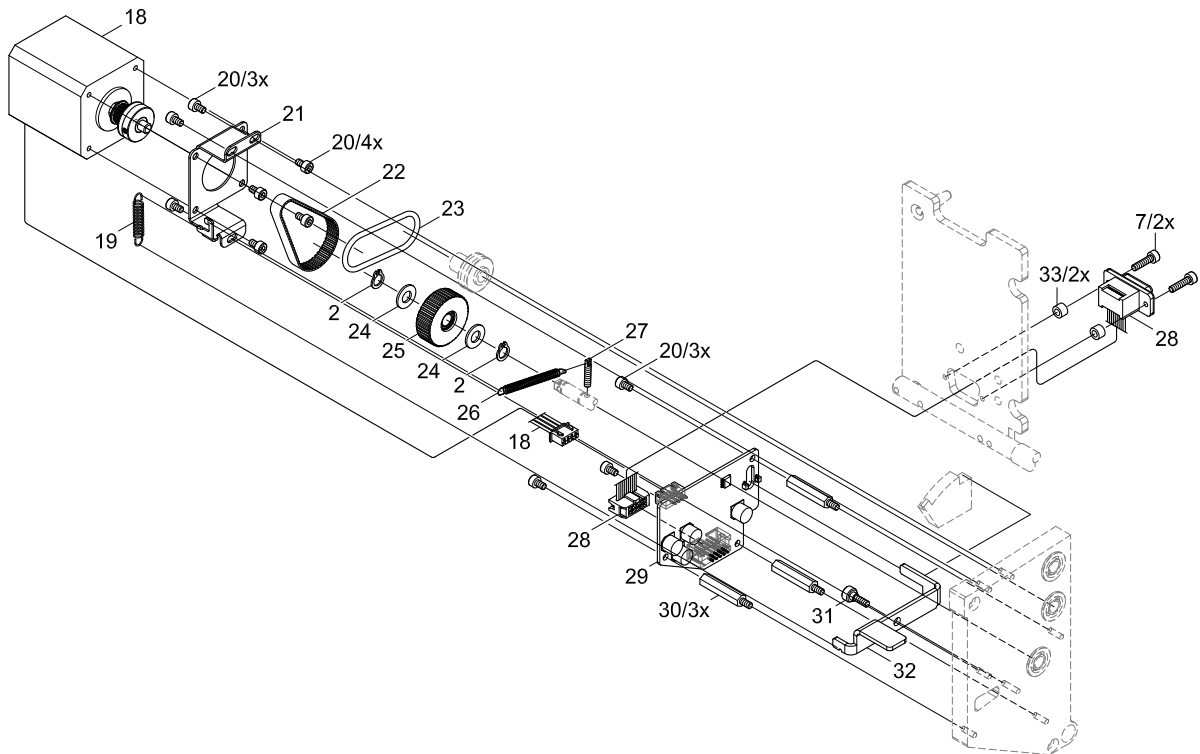
| No. | Part No. | Description | PU | Notes | Serial No. | |
|-----|-------------|---------------------|----|-------|------------|----|
| | | | | | from | to |
| 11 | 5977420.001 | Roller Bearing | 1 | | | |
| 12 | 5979512.001 | Base Plate | 1 | | | |
| 13 | 5984574.001 | Screw | 1 | | | |
| 14 | 5979504.001 | Locking Part | 1 | | | |
| 15 | 5902565.001 | Screw DIN7984-M4x10 | 10 | | | |
| 16 | 5979389.001 | Axle | 1 | | | |
| 17 | 5964263.001 | Support Plate | 1 | | | |

| Notes | a | for flat cylindrical tubes without bulges |
|-------|---|---|
| | b | for all types of tubes, adjustable |
| | c | customized |



| No. | Part No. | Description | PU | Notes | Serial No. | |
|-----|-------------|------------------------|----|-------|------------|----|
| | | | | | from | to |
| 2 | 5903521.001 | Snap Ring DIN471-A6 | 10 | | | |
| 7 | 5902009.001 | Screw DIN912-M3x12 | 10 | | | |
| 18 | 5979397.001 | Stepper Motor | 1 | | | |
| 19 | 5966209.001 | Spring | 1 | | | |
| 20 | 5902168.001 | Screw DIN912-M3x5 | 10 | | | |
| 21 | 5979733.001 | Motor Bracket | 1 | | | |
| 22 | 5907659.001 | Belt 65MXL 025 | 1 | | | |
| 23 | 5979403.001 | O-Ring 29x2 | 1 | | | |
| 24 | 5903106.001 | Washer DIN988-6x12x1.0 | 10 | | | |

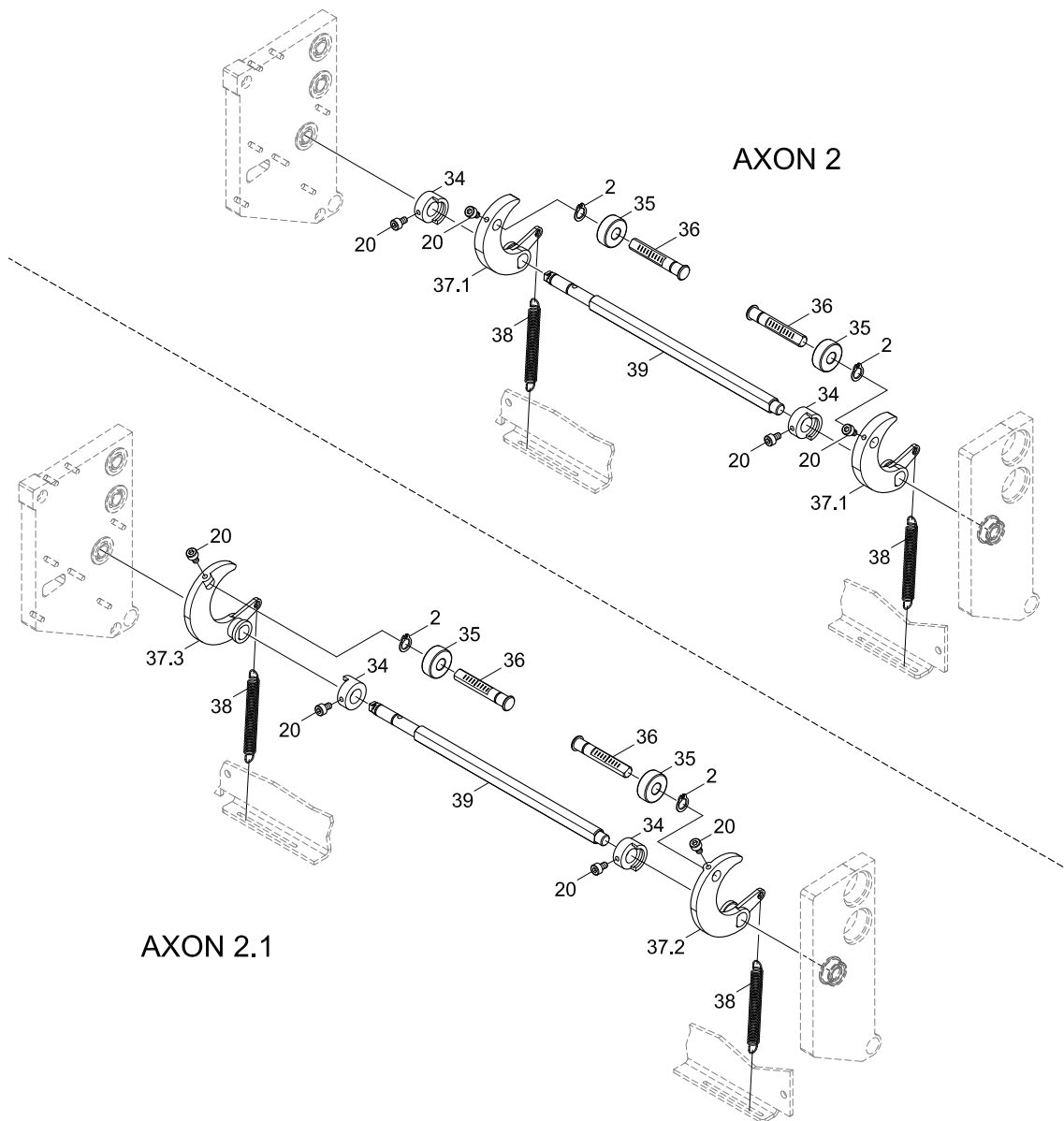
| No. | Part No. | Description | PU | Notes | Serial No. | |
|-----|-------------|------------------------|----|-------|------------|----|
| | | | | | from | to |
| 25 | 5979609.001 | Gear 42 | 1 | | | |
| 26 | 5905077.001 | Spring | 1 | | | |
| 27 | 5907713.001 | Spring Anchor | 1 | | | |
| 28 | 5555069.001 | Cable | 1 | | | |
| 29 | 5551348.001 | PCB Control | 1 | | | |
| 30 | 5907653.001 | Distance Bolt M3x25 | 5 | | | |
| 31 | 5956188.001 | Screw | 1 | | | |
| 32 | 5979454.001 | Locking Lever | 1 | | | |
| 33 | 5900549.001 | Spacer Bushing PA M3x4 | 10 | | | |



| No. | Part No. | Description | PU | Notes | Serial No. | |
|-----|-------------|---------------------|----|-------|------------|----|
| | | | | | from | to |
| 2 | 5903521.001 | Snap Ring DIN471-A6 | 10 | | | |
| 20 | 5902168.001 | Screw DIN912-M3x5 | 10 | | | |
| 34 | 5979513.001 | Clip | 1 | | | |
| 35 | 5979409.001 | Pinch Roller | 1 | | | |
| 36 | 5979511.001 | Axle | 1 | | | |

| No. | Part No. | Description | PU | Notes | Serial No. | |
|------|-------------|----------------|----|-------|------------|----|
| | | | | | from | to |
| 37.1 | 5979510.001 | Clamping Lever | 1 | 2 | | |
| 37.2 | 5979923.001 | Clamping Lever | 1 | 2.1 | | |
| 37.3 | 5979924.001 | Clamping Lever | 1 | 2.1 | | |
| 38 | 5906112.001 | Spring | 1 | | | |
| 39 | 5979783.001 | Axle | 1 | | | |

| Notes | 2 | AXON 2 |
|-------|-----|----------|
| | 2.1 | AXON 2.1 |



| Pos. | Figure/Page | | No. | Part No. | Description | PU | SPR | | | | Notes | Serial No. | |
|------|-------------|---|------|-------------|-----------------------------|---------------------|-----|---|---|---|-------|------------|----|
| | | | | | | | | | | | | from | to |
| 1 | | 4 | 29 | 5551348.001 | PCB Control | 1 | - | - | C | D | | | |
| 2 | | 4 | 28 | 5555069.001 | Cable | 1 | - | - | - | - | | | |
| 3 | | 4 | 33 | 5900549.001 | Spacer Bushing PA M3x4 | 10 | - | - | - | - | | | |
| 4 | 3 | | 4 | 5901076.001 | Ball Bearing DIN625-F686-ZZ | 1 | - | - | - | - | | | |
| 5 | 3 | 4 | 7 | 5902009.001 | Screw DIN912-M3x12 | 10 | - | - | - | - | | | |
| 6 | | 4 | 5 | 20 | 5902168.001 | Screw DIN912-M3x5 | 10 | - | - | - | - | | |
| 7 | 3 | | 15 | 5902565.001 | Screw DIN7984-M4x10 | 10 | - | - | - | - | | | |
| 8 | 3 | | 3 | 5903079.001 | Washer DIN988-6x10x1.0 | 10 | - | - | - | - | | | |
| 9 | | 4 | 24 | 5903106.001 | Washer DIN988-6x12x1.0 | 10 | - | - | - | - | | | |
| 10 | 3 | 4 | 5 | 2 | 5903521.001 | Snap Ring DIN471-A6 | 10 | - | - | - | - | | |
| 11 | | 4 | 26 | 5905077.001 | Spring | 1 | - | - | C | D | | | |
| 12 | | | 5 | 38 | 5906112.001 | Spring | 1 | - | - | C | D | | |
| 13 | | 4 | 30 | 5907653.001 | Distance Bolt M3x25 | 5 | - | - | - | - | | | |
| 14 | | 4 | 22 | 5907659.001 | Belt 65MXL 025 | 1 | - | - | - | - | | | |
| 15 | | 4 | 27 | 5907713.001 | Spring Anchor | 1 | - | - | - | - | | | |
| 16 | 3 | | 10.1 | 5954180.001 | Drive Roller DR4 | 1 | A | B | C | D | a | | |
| 17 | 3 | | 9 | 5954184.001 | Shaft | 1 | - | - | - | - | | | |
| 18 | | 4 | 31 | 5956188.001 | Screw | 1 | - | - | - | - | | | |
| 19 | 3 | | 17 | 5964263.001 | Support Plate | 1 | - | - | - | - | | | |
| 20 | | 4 | 19 | 5966209.001 | Spring | 1 | - | - | - | - | | | |
| 21 | 3 | | 11 | 5977420.001 | Roller Bearing | 1 | - | - | - | - | | | |
| 22 | 3 | | 5 | 5979381.001 | Pulley | 1 | - | - | - | - | | | |
| 23 | 3 | | 16 | 5979389.001 | Axle | 1 | - | - | - | - | | | |
| 24 | 3 | | 8 | 5979396.001 | Plate | 1 | - | - | - | - | | | |
| 25 | | 4 | 18 | 5979397.001 | Stepper Motor | 1 | - | - | C | D | | | |
| 26 | | 4 | 23 | 5979403.001 | O-Ring 29x2 | 1 | - | - | - | - | | | |
| 27 | | | 5 | 35 | 5979409.001 | Pinch Roller | 1 | - | - | - | - | | |
| 28 | | 4 | 32 | 5979454.001 | Locking Lever | 1 | - | - | - | - | | | |
| 29 | 3 | | 14 | 5979504.001 | Locking Part | 1 | - | - | - | - | | | |
| 30 | | | 5 | 37.1 | 5979510.001 | Clamping Lever | 1 | - | - | - | - | 2 | |
| 31 | | | 5 | 36 | 5979511.001 | Axle | 1 | - | - | - | - | | |
| 32 | 3 | | 12 | 5979512.001 | Base Plate | 1 | - | - | - | - | | | |
| 33 | | | 5 | 34 | 5979513.001 | Clip | 1 | - | - | - | - | | |
| 34 | | 4 | 25 | 5979609.001 | Gear 42 | 1 | - | - | - | - | | | |
| 35 | 3 | | 10.2 | 5979672.001 | Transport Roller TRV | 1 | - | - | C | D | b | | |
| 36 | 3 | | 1 | 5979687.001 | Cover | 1 | - | - | - | - | | | |
| 37 | 3 | | 6 | 5979729.001 | Plate | 1 | - | - | - | - | | | |
| 38 | | 4 | 21 | 5979733.001 | Motor Bracket | 1 | - | - | - | - | | | |
| 39 | | | 5 | 39 | 5979783.001 | Axle | 1 | - | - | - | - | | |
| 40 | | | 5 | 37.2 | 5979923.001 | Clamping Lever | 1 | - | - | - | - | 2.1 | |
| 41 | | | 5 | 37.3 | 5979924.001 | Clamping Lever | 1 | - | - | - | - | 2.1 | |
| 42 | 3 | | 13 | 5984574.001 | Screw | 1 | - | - | - | - | | | |
| 43 | 3 | | 10.3 | 59xxxx.001 | Transport Roller TRK | 1 | - | - | - | - | c | | |

5 Packaging

| Pos. | Figure/Page | | No. | Part No. | Description | PU | SPR | | | | Notes | Serial No. | |
|------|-------------|--|-----|-------------|-------------|----|-----|---|---|---|-------|------------|----|
| | | | | | | | | | | | | from | to |
| 44 | | | - | 5979738.001 | Packaging | 1 | - | - | - | - | | | |

PU Package unit

SPR Spare part recommendation

2 AXON 2
2.1 AXON 2.1
a for flat cylindrical tubes without bulges
b for all types of tubes, adjustable
c customized

A wearing parts and accessories
B recommended spare parts for quick repair
C recommended spare parts for distributors
D recommended spare parts for central stores