

Mounting Instruction

Label Sensor CEON (Part No.: 5983588.800)

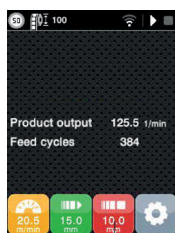
Edition: 11/2019 Part No.: 9003067



Manual Teach of the Label Sensor CEON system-independent

Menu	Menu 1	Menu 2	Menu 3	Menu 4	Menu 5
Hold button	2-5sec	5-10sec	10-15sec	15-20sec	20-25sec
Function	Calibration gap	Calibration label	Change to metallic label material	Offset: -5...0...+5 -50%...0...+50%	Factory setting
LED green	1x Blinking	2x Blinking	3x Blinking	4x Blinking	5x Blinking
LED red	Out	Out	Out	Out	Out
Action	Saved the thickness of the support material	Saved the thickness of the label	LED green = paper LED red = metal	1x button = +1 1x button > 2sec = -1 auto repeat -1	1x button = change LED green = no change LED red = change to factory setting
Result	1x Blinking green = OK red = unsuccessful	1x Blinking green = OK red = unsuccessful	Label metal: Invert the LED signals and the Stop signal	Blinking code if change = Offset	Default setting of the parameter
End	After function end	After function end	after 10sec release the button	after 10sec	after 10sec release the button

Auto Teach of the Label Sensor CEON on labeling head IXOR

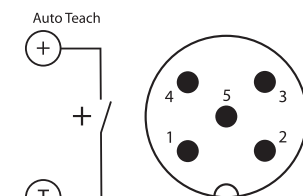
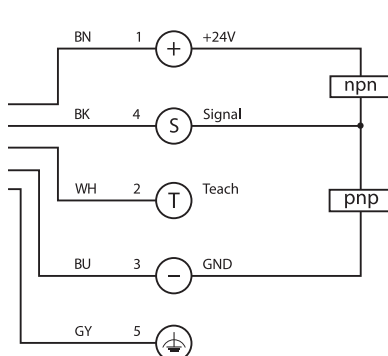


1

1. Switch on the IXOR base unit.
2. Press the button Stop Delay (1) at least 3 sec. up to the menu *Auto-Teach* is visible.
3. Press the button *Continue* to start the calibration.
4. After successful completion of the calibration (Auto-Teach), press the button *Continue* again.

Label sensor CEON is ready.

Pin assignment M12 5-pin a-coded



BN = brown
BK = black
BU = blue
WH = white
GY = grey



cab Produkttechnik
GmbH & Co KG
Postfach 1904
D-76007 Karlsruhe
Wilhelm-Schickard-Str. 14
D-76131 Karlsruhe
Telefon +49 721 6626-0
Telefax +49 721 6626-249
www.cab.de

Advisory services: labeling@cab.de
Sales: labelingspares@cab.de
Technical services: labelingservice@cab.de