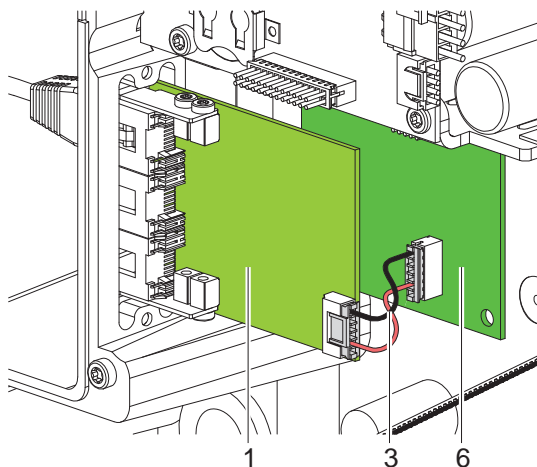
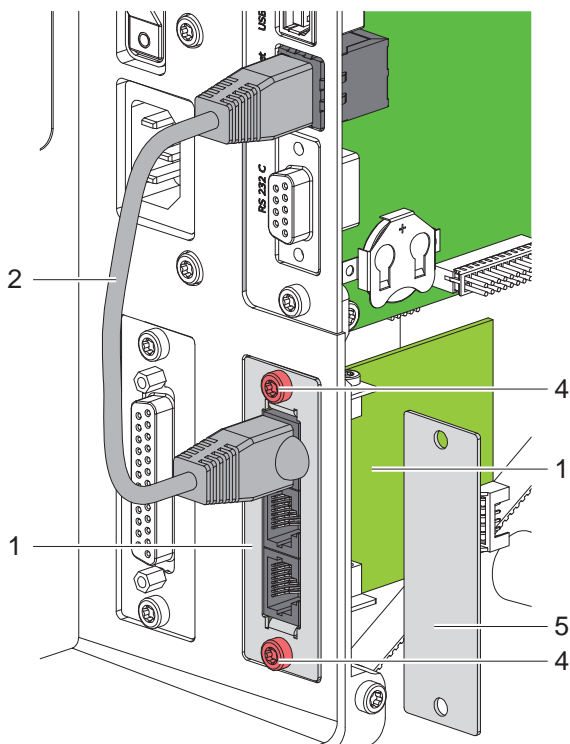


Assembly Instructions

2-Port Ethernet Switch 10/100 Mbit/s

Edition: 09/2019 · Part No. 9003452



Contents of Delivery

- 1 - 2-Port Ethernet Switch
- 2 - Patch cable
- 3 - Connection cable

Intended Use

The 2-Port Ethernet Switch is an optional unit for HERMES Q printers.

The switch allows to send information received via Ethernet to another device.

Mounting may be done by an electrically qualified person only.

Mounting



Attention!

► Disconnect the printer from power supply before mounting the switch!

- Remove the rear cover of the printer.
- Loosen the screws (4) and remove cover (5).
- Insert the 2-Port Switch (1) and fix it with the screws (4).
- Connect the patch cable (2) to the Ethernet socket of the printer and to one Ethernet socket of the switch.
- Connect switch (1) and I/O interface (6) with cable (3).
- Mount the rear cover of the printer.

EU Declaration of Conformity

► <https://www.cab.de/media/pushfile.cfm?file=3597> 



Germany
cab Produkttechnik GmbH & Co KG
Karlsruhe
Phone +49 721 6626 0
www.cab.de

France
cab Technologies S.à.r.l.
Niedermodern
Phone +33 388 722501
www.cab.de/fr

USA
cab Technology, Inc.
Chelmsford, MA
Phone +1 978 250 8321
www.cab.de/us

Mexico
cab Technology, Inc.
Juárez
Phone +52 656 682 4301
www.cab.de/es

Taiwan
cab Technology Co., Ltd.
Taipei
Phone +886 (02) 8227 3966
www.cab.de/tw

China
cab (Shanghai) Trading Co., Ltd.
Shanghai
Phone +86 (021) 6236 3161
www.cab.de/cn

China
cab (Shanghai) Trading Co., Ltd.
Guangzhou
Phone +86 (020) 2831 7358
www.cab.de/cn

South Africa
cab Technology (Pty) Ltd.
Randburg
Phone +27 11 886 3580
www.cab.de/za