

Spare Parts List



Cutter EOS2 / EOS5

2 Spare Parts List for the following products

2

Family	Type
EOS	Cutter EOS2
	Cutter EOS5

Edition: 05/2019 - Part No. 9003391

Copyright

This documentation as well as translation hereof are property of cab Produkttechnik GmbH & Co. KG.

The replication, conversion, duplication or divulgement of the whole manual or parts of it for other intentions than its original intended purpose - in particular the procurement of spare parts for products sold by cab – demand the previous written authorisation by cab.

Editor

Regarding questions or comments please contact cab Produkttechnik GmbH & Co. KG.

Topicality

Due to the constant further development of our products discrepancies between documentation and product can occur.

Please check www.cab.de for the latest update.

Terms and conditions

Deliveries and performances are effected under the "General conditions of sale of cab"

Germany
cab Produkttechnik GmbH & Co KG
Karlsruhe
Phone +49 721 6626 0
www.cab.de

USA
cab Technology, Inc.
Chelmsford, MA
Phone +1 978 250 8321
www.cab.de/us

Taiwan
cab Technology Co., Ltd.
Taipei
Phone +886 (02) 8227 3966
www.cab.de/tw

China
cab (Shanghai) Trading Co., Ltd.
Guangzhou
Phone +86 (020) 2831 7358
www.cab.de/cn

France
cab Technologies S.à.r.l.
Niedermodern
Phone +33 388 722501
www.cab.de/fr

Mexico
cab Technology, Inc.
Juárez
Phone +52 656 682 4301
www.cab.de/es

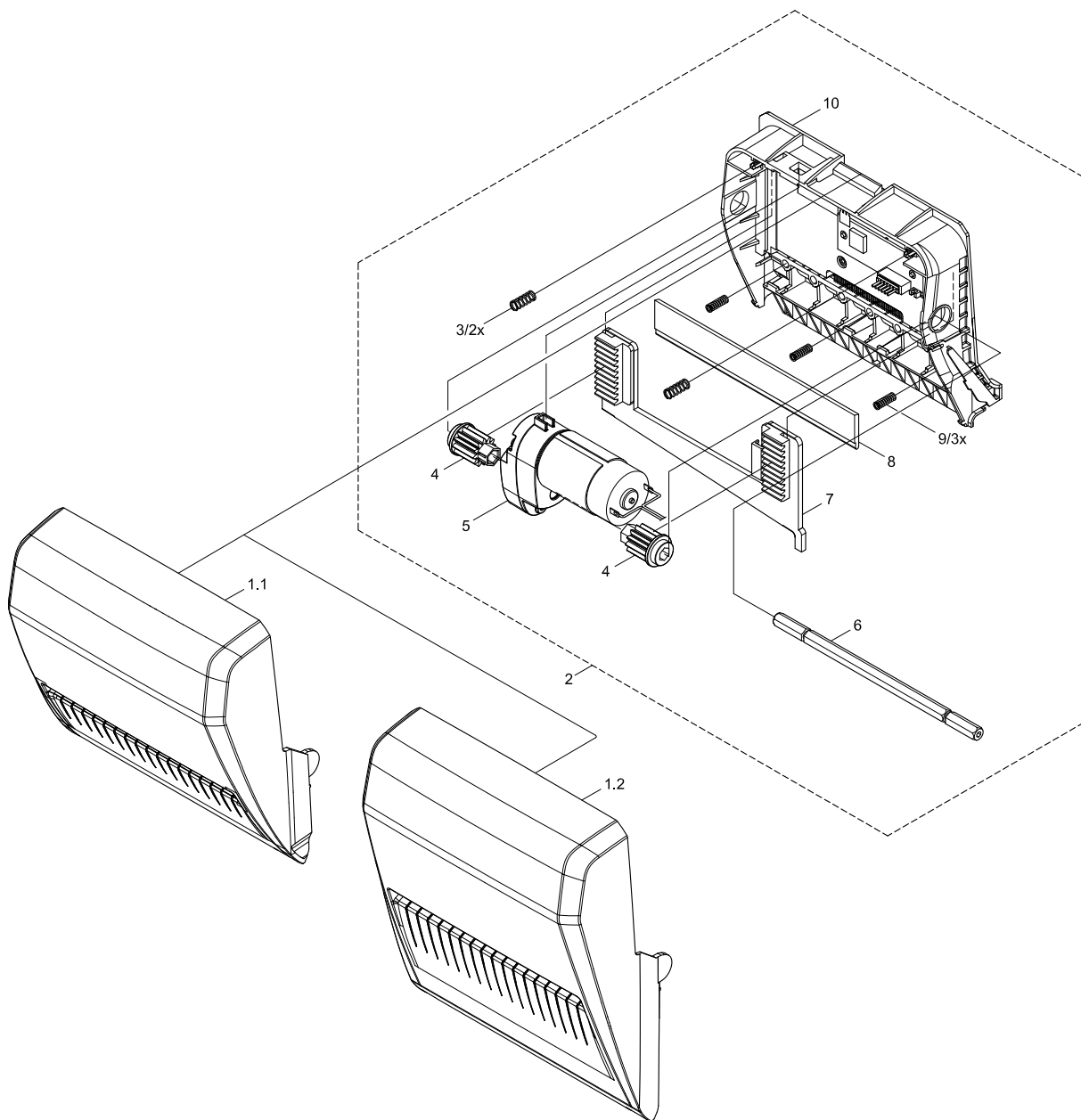
China
cab (Shanghai) Trading Co., Ltd.
Shanghai
Phone +86 (021) 6236 3161
www.cab.de/cn

South Africa
cab Technology (Pty) Ltd.
Randburg
Phone +27 11 886 3580
www.cab.de/za

No	Part No.	Description	PU	Note	Serial No.	
					from	to
1.1	5966331.001	Cover	1	2		
1.2	5966341.001	Cover	1	5		
2	5966350.001	Cutter Module	1			
3	5540637.001	Spring	10			
4	5965501.001	Gear Wheel Z12	1			
5	5541379.001	Gear Motor	1			
6	5965502.001	Shaft	1			

No	Part No.	Description	PU	Note	Serial No.	
					from	to
7	5965524.001	Blade	1			
8	5965528.001	Blade	1			
9	5906221.001	Spring	10			
10	5966912.001	Chassis	1			
-	9109253.001	Packaging	1	2		
-	9109252.001	Packaging	1	5		

Notes	2	Cutter EOS2
	5	Cutter EOS5



Pos.	Figure/Page	Nr.	Part No.	Description	PU	SPR				Notes	Serial No.	
											from	to
1	3	3	5540637.001	Spring	10	-	-	-	-			
2	3	5	5541379.001	Gear Motor	1	-	-	C	D			
3	3	9	5906221.001	Spring	10	-	-	-	-			
4	3	4	5965501.001	Gear Wheel Z12	1	-	-	-	D			
5	3	6	5965502.001	Shaft	1	-	-	-	-			
6	3	7	5965524.001	Blade	1	A	B	C	D			
7	3	8	5965528.001	Blade	1	A	B	C	D			
8	3	1.1	5966331.001	Cover	1	-	-	-	-	2		
9	3	1.2	5966341.001	Cover	1	-	-	-	-	5		
10	3	2	5966350.001	Cutter Module	1	-	-	-	-			
11	3	10	5966912.001	Chassis	1	-	-	-	-			

3 Packaging/Accessories

Pos.	Figure/Page	Nr.	Part No.	Description	PU	SPR				Notes	Serial No.	
											from	to
12	-	-	9109252.001	Packaging	1	-	-	-	-	5		
13	-	-	9109253.001	Packaging	1	-	-	-	-	2		

PU Package unit

Notes 2 Cutter EOS2

5 Cutter EOS5

SPR Recommendation

A - wearing parts and accessories

B - recommended spare parts for quick repair

C - recommended spare parts for distributors

D - recommended spare parts for central stores