

Spare Parts List



PCB Separator

# MAESTRO 6

## for the following products

Family	Type
MAESTRO 6	Maestro 6/603 (Alu)
	Maestro 6/903 (Alu)
	Maestro 6/1203 (Alu)
	Maestro 6/1503 (Alu)
	Maestro 6/601 (.70)
	Maestro 6/901

## Table of Contents

1	Base / Linea Blades .....	3
2	Blade Assembly / Carriage MAESTRO 6/xx3 .....	4
3	Blade Assembly / Carriage MAESTRO 6/xx1 .....	5
4	Control Panel / Electronics .....	6
5	Spare Parts Register .....	7
6	Packaging/Accessories.....	9

Edition: 04/2019 - Part No. 9003378

## Copyright

This documentation as well as translation hereof are property of cab Produkttechnik GmbH & Co. KG.  
The replication, conversion, duplication or divulgement of the whole manual or parts of it for other intentions than its original intended purpose - in particular the procurement of spare parts for products sold by cab – demand the previous written authorization by cab.

## Editor

Regarding questions or comments please contact cab Produkttechnik GmbH & Co. KG.

## Topicality

Due to the constant further development of our products discrepancies between documentation and product can occur.  
Please check [www.cab.de](http://www.cab.de) for the latest update.

## Terms and conditions

Deliveries and performances are effected under the "General conditions of sale of cab"

Germany  
**cab Produkttechnik GmbH & Co KG**  
Karlsruhe  
Phone +49 721 6626 0  
[www.cab.de](http://www.cab.de)

USA  
**cab Technology, Inc.**  
Chelmsford, MA  
Phone +1 978 250 8321  
[www.cab.de/us](http://www.cab.de/us)

Taiwan  
**cab Technology Co., Ltd.**  
Taipei  
Phone +886 (02) 8227 3966  
[www.cab.de/tw](http://www.cab.de/tw)

China  
**cab (Shanghai) Trading Co., Ltd.**  
Guangzhou  
Phone +86 (020) 2831 7358  
[www.cab.de/cn](http://www.cab.de/cn)

France  
**cab Technologies S.à.r.l.**  
Niedermodern  
Phone +33 388 722501  
[www.cab.de/fr](http://www.cab.de/fr)

Mexico  
**cab Technology, Inc.**  
Juárez  
Phone +52 656 682 4301  
[www.cab.de/es](http://www.cab.de/es)

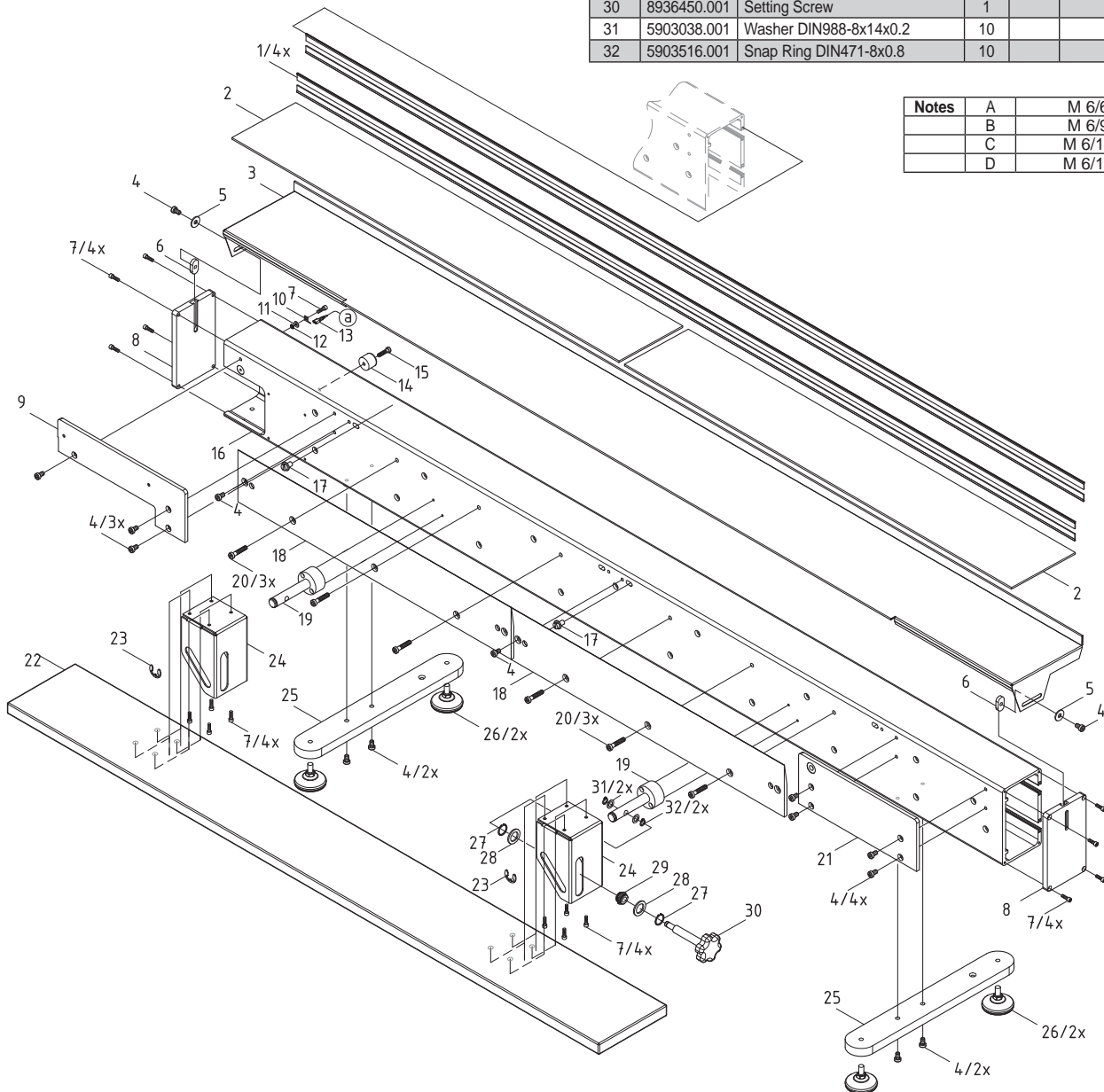
China  
**cab (Shanghai) Trading Co., Ltd.**  
Shanghai  
Phone +86 (021) 6236 3161  
[www.cab.de/cn](http://www.cab.de/cn)

South Africa  
**cab Technology (Pty) Ltd.**  
Randburg  
Phone +27 11 886 3580  
[www.cab.de/za](http://www.cab.de/za)

No	Part No.	Description	PU	Note	Serial No.	
					from	to
1.1	8936516.001	Brush	1	A		
1.2	8936543.001	Brush	1	B		
1.3	8936481.001	Brush	1	C		
1.4	8936557.001	Brush	1	D		
2.1	8936518.001	Absorbing Foam	2	A/D		
2.2	8936555.001	Absorbing Foam	2	B		
2.3	8936502.001	Absorbing Foam	2	C/D		
3.1	8936519.001	Table	1	A		
3.2	8936545.001	Table	1	B		
3.3	8936503.001	Table	1	C		
3.4	8936561.001	Table	1	D		
4	5902375.001	Screw DIN7984-M6x10	10			
5	5903096.001	Washer DIN9021-6.4	10			
6	5901094.001	Slide Nut	1			
7	5902241.001	Screw DIN7984-M4x10	10			
8	8936420.001	Cover	1			
9	8936422.001	Rear Cover	1			
10	5917072.001	Tab DIN46244-A4	10			
11	5903003.001	Washer DIN125-A4.3	10			
12	5903011.001	Toothed Washer DIN6797-A4.3	10			
13	5953265.001	Cable	1			
14	5905227.001	Foot	5			

No	Part No.	Description	PU	Note	Serial No.	
					from	to
15	5902282.001	Screw DIN7984-M5x20	10			
16.1	8936508.001	Base Profile	1	A		
16.2	8936550.001	Base Profile	1	B		
16.3	8936404.001	Base Profile	1	C		
16.4	8936566.001	Base Profile	1	D		
17	8930605.001	Eccentric Axle	1			
18.1	8936592.001	Linear Blade 600	1	A/C/D		
18.2	8936593.001	Linear Blade 450	1	B/D		
19	8936416.001	Axle	1			
20	5902952.001	Screw DIN7984 M6x30	10			
21	8936421.001	Guard Plate	1			
22.1	8936522.001	Adjustable Platform	1	A		
22.2	8936553.001	Adjustable Platform	1	B		
22.3	8936449.001	Adjustable Platform	1	C		
22.4	8936564.001	Adjustable Platform	1	D		
23	5903511.001	E-Ring DIN6799-12	10			
24	8936417.001	Mounting Bracket	1			
25	8936414.001	Feet	1			
26	5906631.001	Adjusting Foot	0			
27	5903539.001	Snap Ring DIN471-16x1	10			
28	8931114.001	Slide Washer	1			
29	8931101.001	Sliding Nut	1			
30	8936450.001	Setting Screw	1			
31	5903038.001	Washer DIN988-8x14x0.2	10			
32	5903516.001	Snap Ring DIN471-8x0.8	10			

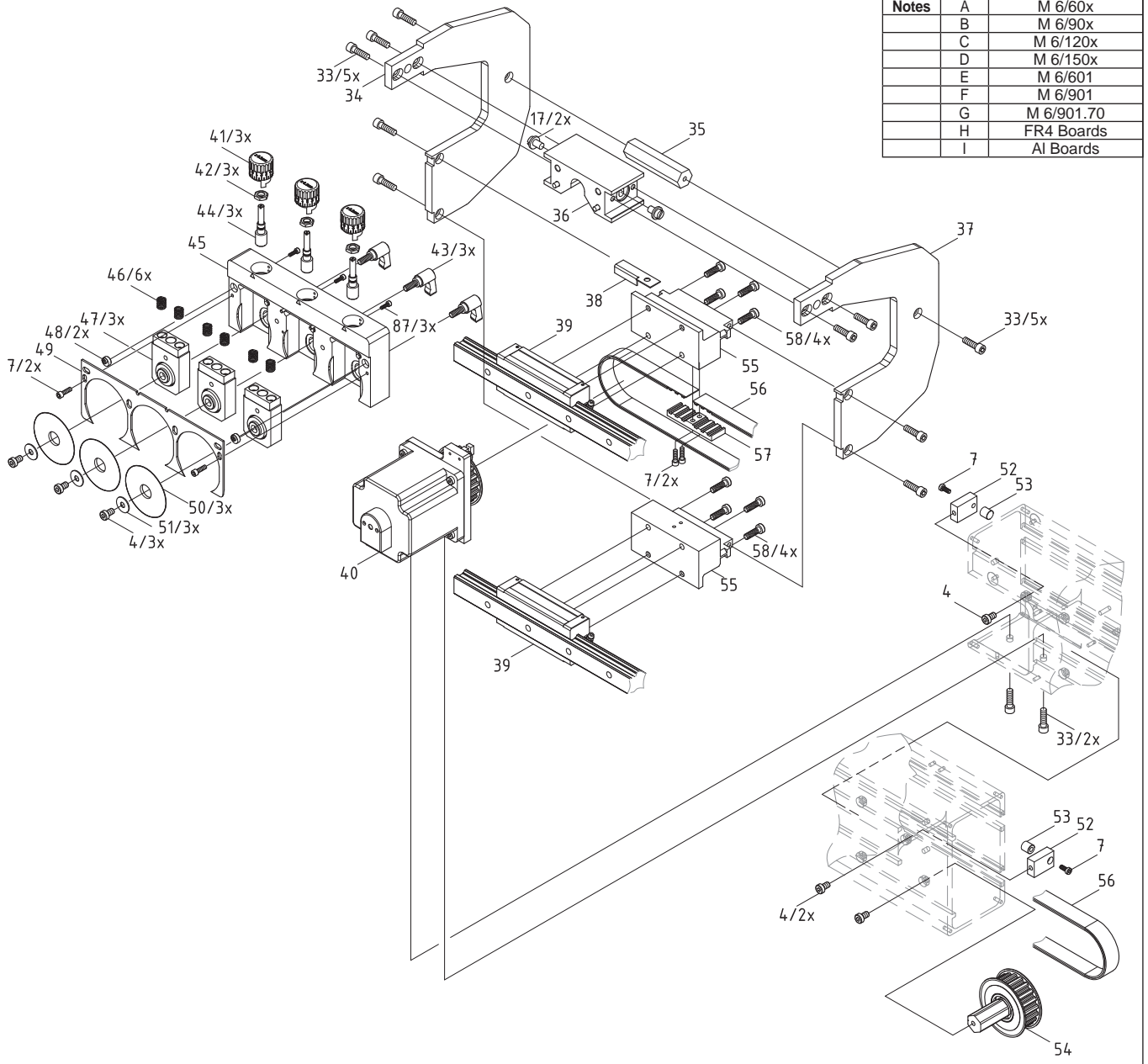
Notes	A	M 6/60x
	B	M 6/90x
	C	M 6/120x
	D	M 6/150x



No	Part No.	Description	PU	Note	Serial No.	
					from	to
4	5902375.001	Screw DIN7984-M6x10	10			
7	5902241.001	Screw DIN7984-M4x10	10			
17	8930605.001	Eccentric Axle	1			
33	5902361.001	Screw DIN7984-M6x16	10			
34	8936439.001	Plate	1	E		
35	8936441.001	Spacer Bushing	1	E		
36	8936472.001	Binder	1	E		
37	8936440.001	Plate	1	E		
38	8936409.001	Switch Plate	1			
39.1	8936512.001	Guiding System	1	A		
39.2	8936547.001	Guiding System	1	B		
39.3	8936455.001	Guiding System	1	C		
39.4	8936567.001	Guiding System	1	D		
40	8936453.001	Motor	1			
41	8936471.001	Set Knob	1			
42	5902682.001	Nut DIN439 M8x1	10			
43	5907602.001	Clamp Lever	1			
44	8936444.001	Spindle	1			
45	8936501.001	Corpus	1	E		

No	Part No.	Description	PU	Note	Serial No.	
					from	to
46	5905032.001	Spring	1			
47	8936470.001	Slide	1	E		
48	8936493.001	Eccentric	1	E		
49	8936437.001	Shield	1	E		
50.1	8936446.001	Circular Blade FR4	1	H		
50.2	8936507.001	Circular Blade Alu	1	I		
51	8936498.001	Washer	1			
52	8936412.001	Stopper	1			
53	5905885.001	Stopper M4x10	1			
54	8936496.001	Washer	1	E		
55	8936408.001	Slide	1			
56.1	8936513.001	Belt	1	A		
56.2	8936548.001	Belt	1	B		
56.3	8936419.001	Belt	1	C		
56.4	8936568.001	Belt	1	D		
57	8936407.001	Clamp	1			
58	5909043.001	Screw DIN7984-M6x20	10			
87	5902010.001	Screw DIN912-M3x10	10	G		

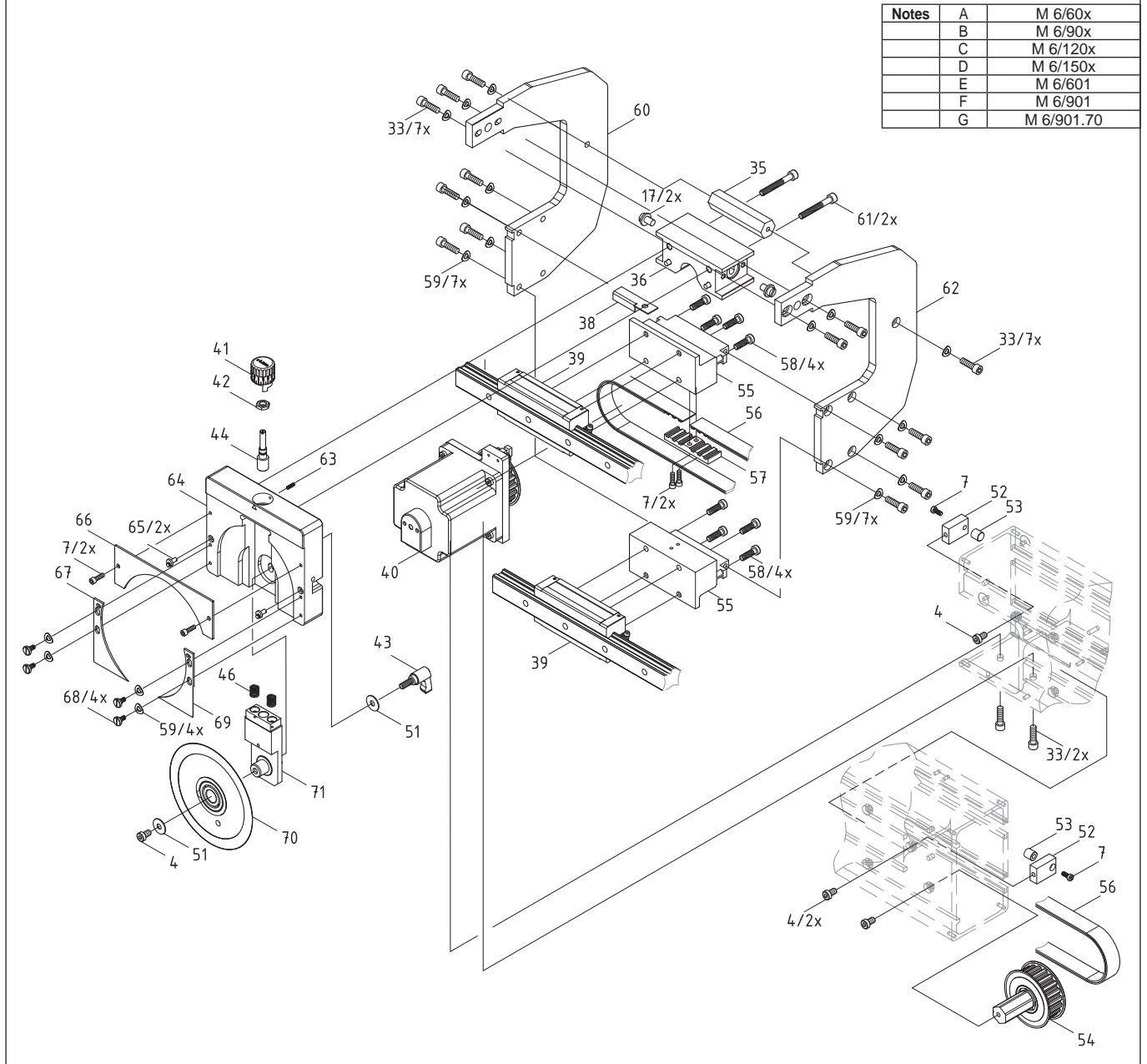
Notes	A	M 6/60x
	B	M 6/90x
	C	M 6/120x
	D	M 6/150x
	E	M 6/601
	F	M 6/901
	G	M 6/901.70
	H	FR4 Boards
	I	Al Boards



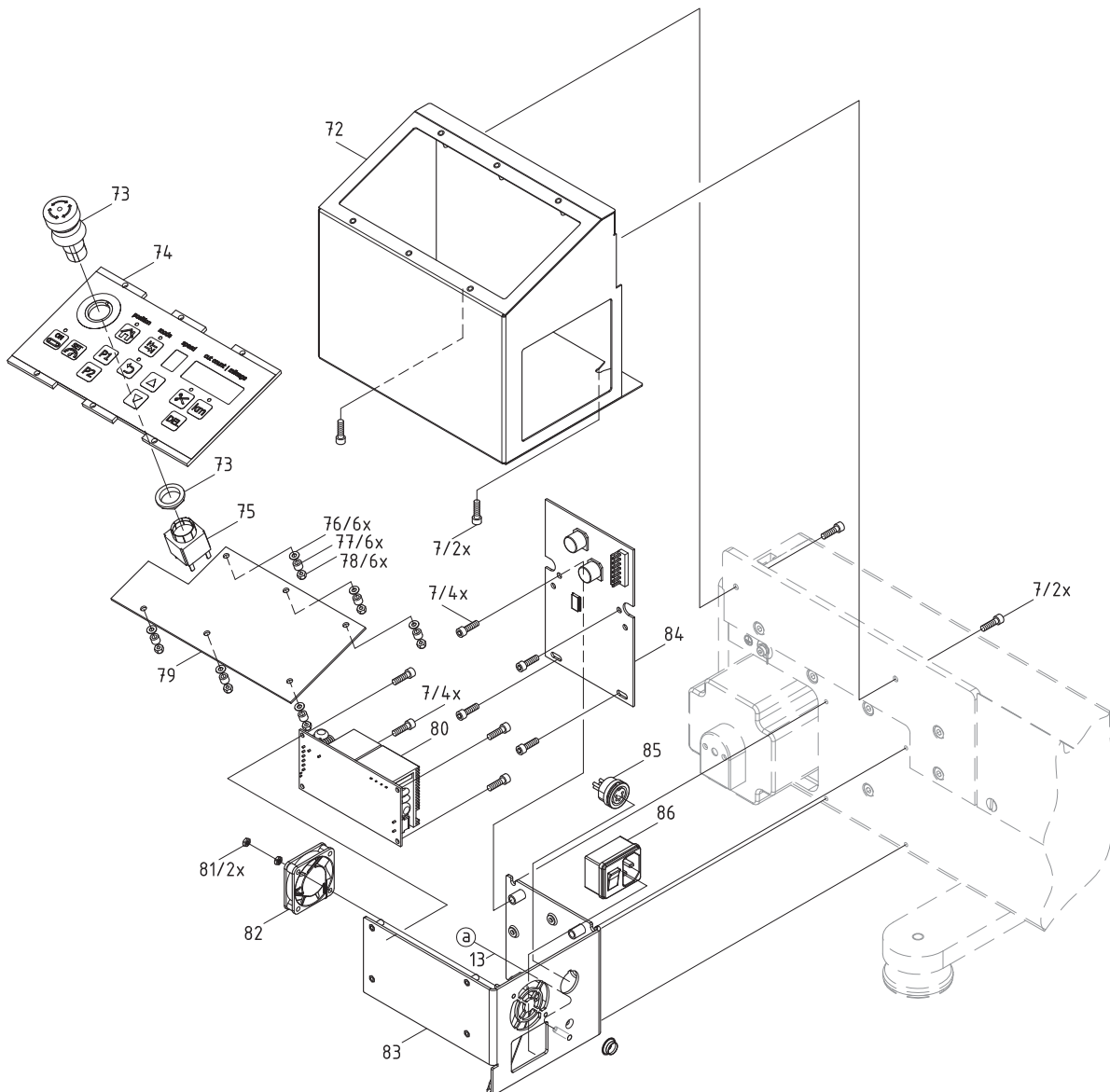
No	Part No.	Description	PU	Note	Serial No.	
					from	to
4	5902375.001	Screw DIN7984-M6x10	10			
7	5902241.001	Screw DIN7984-M4x10	10			
17	8930605.001	Eccentric Axle	1			
33	5902361.001	Screw DIN7984-M6x16	10			
38	8936409.001	Switch Plate	1			
39.1	8936512.001	Guiding System	1	A		
39.2	8936547.001	Guiding System	1	B		
40	8936453.001	Motor	1			
41	8936471.001	Set Knob	1			
42	5902682.001	Nut DIN439 M8x1	10			
43	5907602.001	Clamp Lever	1			
44	8936444.001	Spindle	1			
46	5905032.001	Spring	1			
51	8936498.001	Washer	1			
52	8936412.001	Stopper	1			
53	5905885.001	Stopper M4x10	1			
55	8936408.001	Slide	1			
56.1	8936513.001	Belt	1	A		
56.2	8936548.001	Belt	1	B		
57	8936407.001	Clamp	1			
58	5909043.001	Screw DIN7984-M6x20	10			

No	Part No.	Description	PU	Note	Serial No.	
					from	to
59	5903010.001	Spring Washer DIN137-A6	10			
60.1	8936574.001	Plate	1	E/F		
60.2	8936586.001	Plate	1	G		
61	5902404.001	Screw DIN912 M6x45	10			
62.1	8936575.001	Plate	1	E/F		
62.2	8936587.001	Plate	1	G		
63	5904562.001	Set Screw DIN913-M3x10	10			
64.1	8936533.001	Corpus	1	E/F		
64.2	8936577.001	Corpus	1	G		
65	8936643.001	Eccentric Axle	1			
66.1	8936534.001	Cover	1	E/F		
66.2	8936578.001	Cover	1	G		
67.1	8936615.001	Shield	1	E/F		
67.2	8936584.001	Shield	1	G		
68	8930590.001	Screw	1			
69.1	8936614.001	Shield	1	E/F		
69.2	8936583.001	Shield	1	G		
70.1	8930509.001	Circular Blade	1	E/F		
70.2	8933933.001	Circular Blade	1	G		
71	8936526.001	Slide	1			

Notes	A	M 6/60x
	B	M 6/90x
	C	M 6/120x
	D	M 6/150x
	E	M 6/601
	F	M 6/901
	G	M 6/901.70



No	Part No.	Description	PU	Note	Serial No.	
					from	to
7	5902241.001	Screw DIN7984-M4x10				
13	5953265.001	Cable				
72	8936427.001	Front Cover				
73	5917167.001	Emergency Switch				
74	8936428.001	Control Panel				
75	5917168.001	Emergency Switch Element				
76	5903004.001	Washer DIN125-A3.2				
77	5900516.001	Spacer Bushing PA M3x5				
78	5902509.001	Nut DIN985 M3				
79	8936432.001	PCB Control Panel				
80	5918992.001	Power Supply				
81	5902505.001	Nut DIN934-M3				
82	8936596.001	Fan				
83	8936505.001	Electronic Support				
84	8936435.001	PCB Control				
85	8936597.001	Jack				
86	5917931.001	Power input Module				



# 5 Spare Parts Register

Pos.	Figure/Page				No.	Part No.	Description	PU	SPR				Notes	Serial No.	
1				x	77	5900516.001	Spacer Bushing PA M3x5	10							
2	x				6	5901094.001	Slide Nut	1							
3		x			87	5902010.001	Screw DIN912-M3x10	10				H			
4	x	x	x	x	7	5902241.001	Screw DIN7984-M4x10	10							
5	x				15	5902282.001	Screw DIN7984-M5x20	10							
6		x	x		33	5902361.001	Screw DIN7984-M6x16	10							
7	x	x	x		4	5902375.001	Screw DIN7984-M6x10	10							
8			x		61	5902404.001	Screw DIN912 M6x45	10				E/F/G			
9				x	81	5902505.001	Nut DIN934-M3	10							
10				x	78	5902509.001	Nut DIN985 M3	10							
11		x	x		42	5902682.001	Nut DIN439 M8x1	10							
12	x				20	5902952.001	Screw DIN7984 M6x30	10							
13	x				11	5903003.001	Washer DIN125-A4.3	10							
14				x	76	5903004.001	Washer DIN125-A3.2	10							
15			x		59	5903010.001	Spring Washer DIN137-A6	10				E/F/G			
16	x				12	5903011.001	Toothed Washer DIN6797-A4.3	10							
17	x				31	5903038.001	Washer DIN988-8x14x0.2	10							
18	x				5	5903096.001	Washer DIN9021-6.4	10							
19	x				23	5903511.001	E-Ring DIN6799-12	10							
20	x				32	5903516.001	Snap Ring DIN471-8x0.8	10							
21	x				27	5903539.001	Snap Ring DIN471-16x1	10							
22			x		63	5904562.001	Set Screw DIN913-M3x10	10				E/F/G			
23		x	x		46	5905032.001	Spring	1							
24	x				14	5905227.001	Foot	5							
25		x	x		53	5905885.001	Stopper M4x10	1							
26	x				26	5906631.001	Adjusting Foot	0							
27		x	x		43	5907602.001	Clamp Lever	1							
28		x	x		58	5909043.001	Screw DIN7984-M6x20	10							
29	x				10	5917072.001	Tab DIN46244-A4	10							
30				x	73	5917167.001	Emergency Switch	1							
31				x	75	5917168.001	Emergency Switch Element	1							
32				x	86	5917931.001	Power input Module	1							
33				x	80	5918992.001	Power Supply	1							
34	x			x	13	5953265.001	Cable	1							
35			x		70.1	8930509.001	Circular Blade	1				E/F			
36			x		68	8930590.001	Screw	1				E/F/G			
37	x	x	x		17	8930605.001	Eccentric Axle	1							
38	x				29	8931101.001	Sliding Nut	1							
39	x				28	8931114.001	Slide Washer	1							
40			x		70.2	8933933.001	Circular Blade	1				G			
41	x				16.3	8936404.001	Base Profile	1				C			
42		x	x		57	8936407.001	Clamp	1							
43		x	x		55	8936408.001	Slide	1							
44		x	x		38	8936409.001	Switch Plate	1							
45		x	x		52	8936412.001	Stopper	1							
46	x				25	8936414.001	Feet	1							
47	x				19	8936416.001	Axle	1							
48	x				24	8936417.001	Mounting Bracket	1							
49		x			56.3	8936419.001	Belt	1				C			
50	x				8	8936420.001	Cover	1							
51	x				21	8936421.001	Guard Plate	1							
52	x				9	8936422.001	Rear Cover	1							
53				x	72	8936427.001	Front Cover	1							

PU Package unit

Notes

A M 6/60x

H FR4 Boards

B M 6/90x

I AI Boards

C M 6/120x

D M 6/150x

E M 6/601

F M 6/901

G M 6/901.70

SPR Recommendation

A - wearing parts and accessories

B - recommended spare parts for quick repair

C - recommended spare parts for distributors

D - recommended spare parts for central stores

Pos.	Figure/Page			No.	Part No.	Description	PU	SPR			Notes	Serial No.	
								from	to				
54			x	74	8936428.001	Control Panel	1						
55			x	79	8936432.001	PCB Control Panel	1						
56			x	84	8936435.001	PCB Control	1						
57	x			49	8936437.001	Shield	1				E		
58	x			34	8936439.001	Plate	1				E		
59	x			37	8936440.001	Plate	1				E		
60	x			35	8936441.001	Spacer Bushing	1				E		
61	x	x		44	8936444.001	Spindle	1						
62		x		50.1	8936446.001	Circular Blade FR4	1				H		
63	x			22.3	8936449.001	Adjustable Platform	1				C		
64	x			30	8936450.001	Setting Screw	1						
65		x	x	40	8936453.001	Motor	1						
66		x		39.3	8936455.001	Guiding System	1				C		
67		x		47	8936470.001	Slide	1				E		
68		x	x	41	8936471.001	Set Knob	1						
69		x		36	8936472.001	Binder	1				E		
70	x			1.3	8936481.001	Brush	1				C		
71		x		48	8936493.001	Eccentric	1				E		
72		x		54	8936496.001	Washer	1				E		
73		x	x	51	8936498.001	Washer	1						
74		x		45	8936501.001	Corpus	1				E		
75	x			2.3	8936502.001	Absorbing Foam	2				C(2x) / D(1x)		
76	x			3.3	8936503.001	Table	1				C		
77			x	83	8936505.001	Electronic Support	1						
78		x		50.2	8936507.001	Circular Blade Alu	1				I		
79	x			16.1	8936508.001	Base Profile	1				A		
80		x	x	39.1	8936512.001	Guiding System	1				A		
81		x	x	56.1	8936513.001	Belt	1				A		
82	x			1.1	8936516.001	Brush	1				A		
83	x			2.1	8936518.001	Absorbing Foam	2				A(2x) / D(2x)		
84	x			3.1	8936519.001	Table	1				A		
85	x			22.1	8936522.001	Adjustable Platform	1				A		
86			x	71	8936526.001	Slide	1				E/F/G		
87			x	64.1	8936533.001	Corpus	1				E/F		
88			x	66.1	8936534.001	Cover	1				E/F		
89	x			1.2	8936543.001	Brush	1				B		
90	x			3.2	8936545.001	Table	1				B		
91		x	x	39.2	8936547.001	Guiding System	1				B		
92		x	x	56.2	8936548.001	Belt	1				B		
93	x			16.2	8936550.001	Base Profile	1				B		
94	x			22.2	8936553.001	Adjustable Platform	1				B		
95	x			2.2	8936555.001	Absorbing Foam	2				B		
96	x			1.4	8936557.001	Brush	1				D		
97	x			3.4	8936561.001	Table	1				D		
98	x			22.4	8936564.001	Adjustable Platform	1				D		
99	x			16.4	8936566.001	Base Profile	1				D		
100		x		39.4	8936567.001	Guiding System	1				D		
101		x		56.4	8936568.001	Belt	1				D		
102			x	60.1	8936574.001	Plate	1				E/F		
103			x	62.1	8936575.001	Plate	1				E/F		
104			x	64.2	8936577.001	Corpus	1				G		
105			x	66.2	8936578.001	Cover	1				G		
106			x	69.2	8936583.001	Shield	1				G		
107			x	67.2	8936584.001	Shield	1				G		

PU Package unit

Notes

A M 6/60x

H FR4 Boards

B M 6/90x

I Al Boards

C M 6/120x

D M 6/150x

E M 6/601

F M 6/901

G M 6/901.70

SPR Recommendation

A - wearing parts and accessories

B - recommended spare parts for quick repair

C - recommended spare parts for distributors

D - recommended spare parts for central stores



## 5 Spare Parts Register

9

Pos.	Figure/Page			No.	Part No.	Description	PU	SPR			Notes	Serial No.	
								from	to				
108			x	60.2	8936586.001	Plate	1				G		
109			x	62.2	8936587.001	Plate	1				G		
110	x			18.1	8936592.001	Linear Blade 600	1				A(1x) / C(2x) / D(1x)		
111	x			18.2	8936593.001	Linear Blade 450	1				B(2x) / D(2x)		
112			x	82	8936596.001	Fan	1						
113			x	85	8936597.001	Jack	1						
114			x	69.1	8936614.001	Shield	1				E/F		
115			x	67.1	8936615.001	Shield	1				E/F		
116			x	65	8936643.001	Eccentric Axle	1				E/F/G		

## 6 Packaging/Accessories

Pos.	Figure/Page			No.	Part No.	Description	PU	SPR			Notes	Serial No.	
								from	to				
117					8936535.001	Foot Switch	1						
118					5550611.001	Power Cable Type E+F	1						
119					8936480.001	Mesuring Equipment MAESTRO 6	1						
120					9109354.001	Packaging	1				A		
121					9109355.001	Packaging	1				B		
122					9109327.001	Packaging	1				C		
123					9109360.001	Packaging	1				D		

PU Package unit

SPR Recommendation

A - wearing parts and accessories

B - recommended spare parts for quick repair

C - recommended spare parts for distributors

D - recommended spare parts for central stores

Notes

A M 6/60x

B M 6/90x

C M 6/120x

D M 6/150x

E M 6/601

F M 6/901

G M 6/901.70

H FR4 Boards

I Al Boards