

Spare Parts List



Label Printer

EOS2 / EOS5

for the following products

Description	Type	
	Label Printer	EOS2/200
EOS2/300		EOS2/300 mobile
EOS5/200		EOS5/200 mobile
EOS5/300		EOS5/300 mobile

Edition: 09/2020 - Part No. 9003325

Copyright

This documentation as well as translation hereof are property of cab Produkttechnik GmbH & Co. KG.
The replication, conversion, duplication or divulgement of the whole manual or parts of it for other intentions than its original intended purpose - in particular the procurement of spare parts for products sold by cab – demand the previous written authorization by cab.

Editor

Regarding questions or comments please contact cab Produkttechnik GmbH & Co. KG.

Topicality

Due to the constant further development of our products discrepancies between documentation and product can occur.
Please check www.cab.de for the latest update.

Terms and conditions

Deliveries and performances are effected under the "General conditions of sale of cab"

Germany
cab Produkttechnik GmbH & Co KG
Karlsruhe
Phone +49 721 6626 0
www.cab.de

USA
cab Technology, Inc.
Chelmsford, MA
Phone +1 978 250 8321
www.cab.de/us

Taiwan
cab Technology Co., Ltd.
Taipei
Phone +886 (02) 8227 3966
www.cab.de/tw

China
cab (Shanghai) Trading Co., Ltd.
Guangzhou
Phone +86 (020) 2831 7358
www.cab.de/cn

France
cab Technologies S.à.r.l.
Niedermodern
Phone +33 388 722501
www.cab.de/fr

Mexico
cab Technology, Inc.
Juárez
Phone +52 656 682 4301
www.cab.de/es

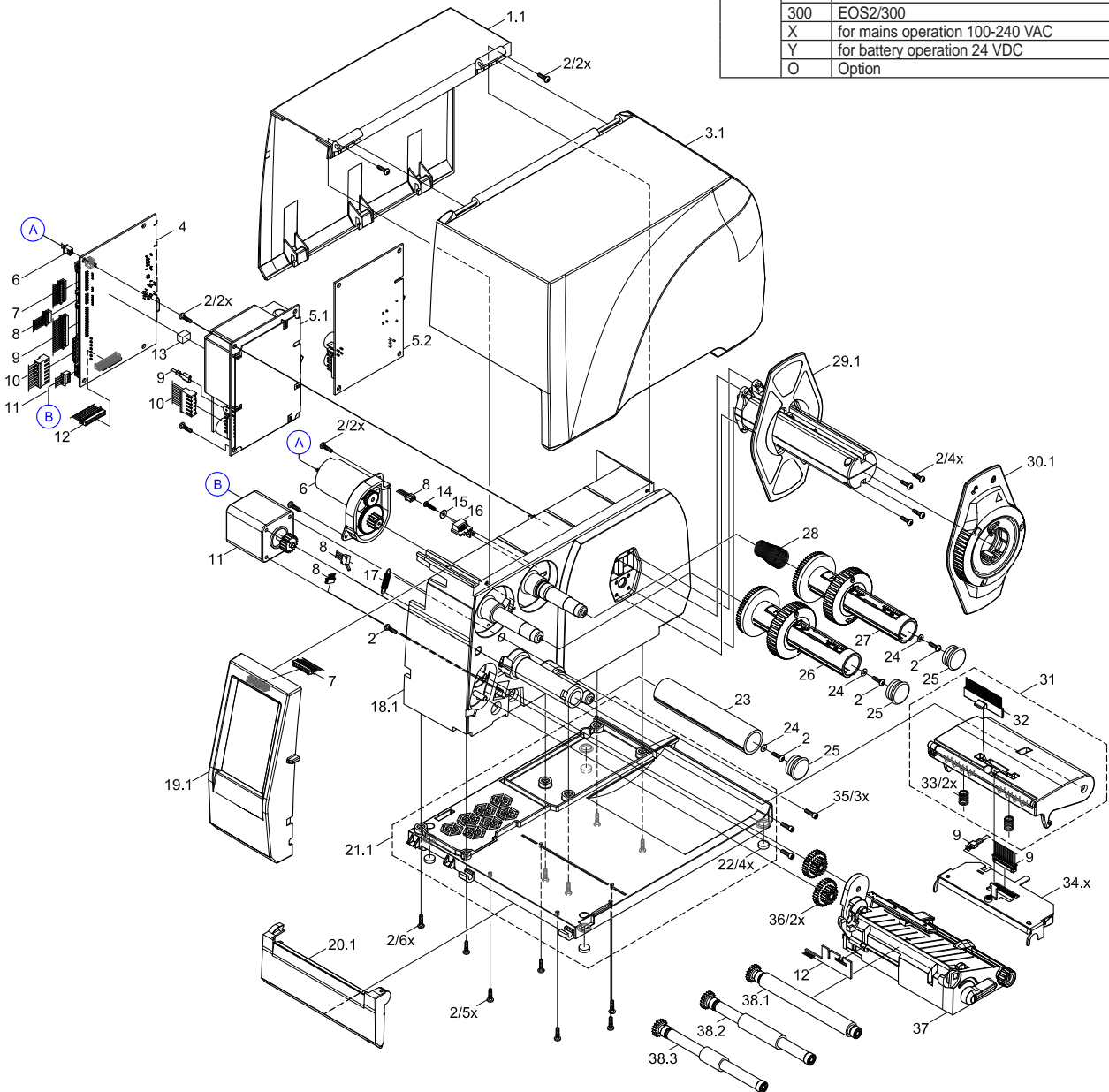
China
cab (Shanghai) Trading Co., Ltd.
Shanghai
Phone +86 (021) 6236 3161
www.cab.de/cn

South Africa
cab Technology (Pty) Ltd.
Randburg
Phone +27 11 886 3580
www.cab.de/za

No	Part No.	Description	PU	Note	Serial No.	
					from	to
1.1	5965403.002	Cover Plate	1			
2	5902414.001	Screw EJOT-PT-K30x12	10			
3.1	5978407.001	Cover	1			
4	5551353.001	PCB CPU X4.2	1			
5.1	5551126.001	Power Supply	1	X		
5.2	5966366.001	DC/DC Converter	1	Y		
6	5978363.001	Gear Motor	1			
7	5977312.001	Cable Control Panel	1			
8	5978385.001	Cable Sensors	1			
9	5978386.001	Cable Printhead	1			
10	5978382.001	Cable Power Supply	1			
11	5965465.001	Stepper Motor	1			
12	5978387.001	Cable Cutter Connection	1			
13	5978379.001	Strip	1			
14	5902875.001	Screw EJOT-PT-K25x12	10			
15	5903017.001	Washer DIN9021-2,7	10			
16	5965359.001	Sensor	1			
17	5966209.001	Spring	1			
18.1	5978373.001	Chassis	1			
19.1	5978365.001	Control Panel	1			
20.1	5978360.001	Tear-off Plate	1			
21.1	5966207.001	Baseplate	1			

No	Part No.	Description	PU	Note	Serial No.	
					from	to
22	5540617.001	Foot	5			
23	5965477.001	Roller	1			
24	5903004.001	Washer DIN125-A3.2	10			
25	5907608.001	Stopper	1			
26	5978371.001	Ribbon Take-up Hub	1			
27	5978372.001	Ribbon Supply Hub	1			
28	5965427.001	Spring	1			
29.1	5965455.001	Media Hub	1			
30.1	5965460.001	Margin Stop	1			
31	5966354.001	Printhead Holder	1			
32	5966323.001	Antistatic Brush	1			
33	5906104.001	Spring	10			
34.1	5966096.001	Printhead 203	1	200		
34.2	5965580.001	Printhead 300	1	300		
35	5902867.001	Screw DIN7984-M3x8	10			
36	5965536.001	Gear Wheel Z31/19	1			
37	5978359.001	Transport Module	1			
38.1	5965488.001	Print Roller DR4	1			
38.2	5966219.001	Print Roller DR4-50	1	O		
38.3	5966218.001	Print Roller DR4-25	1	O		
-	9109295.001	Packaging	1			

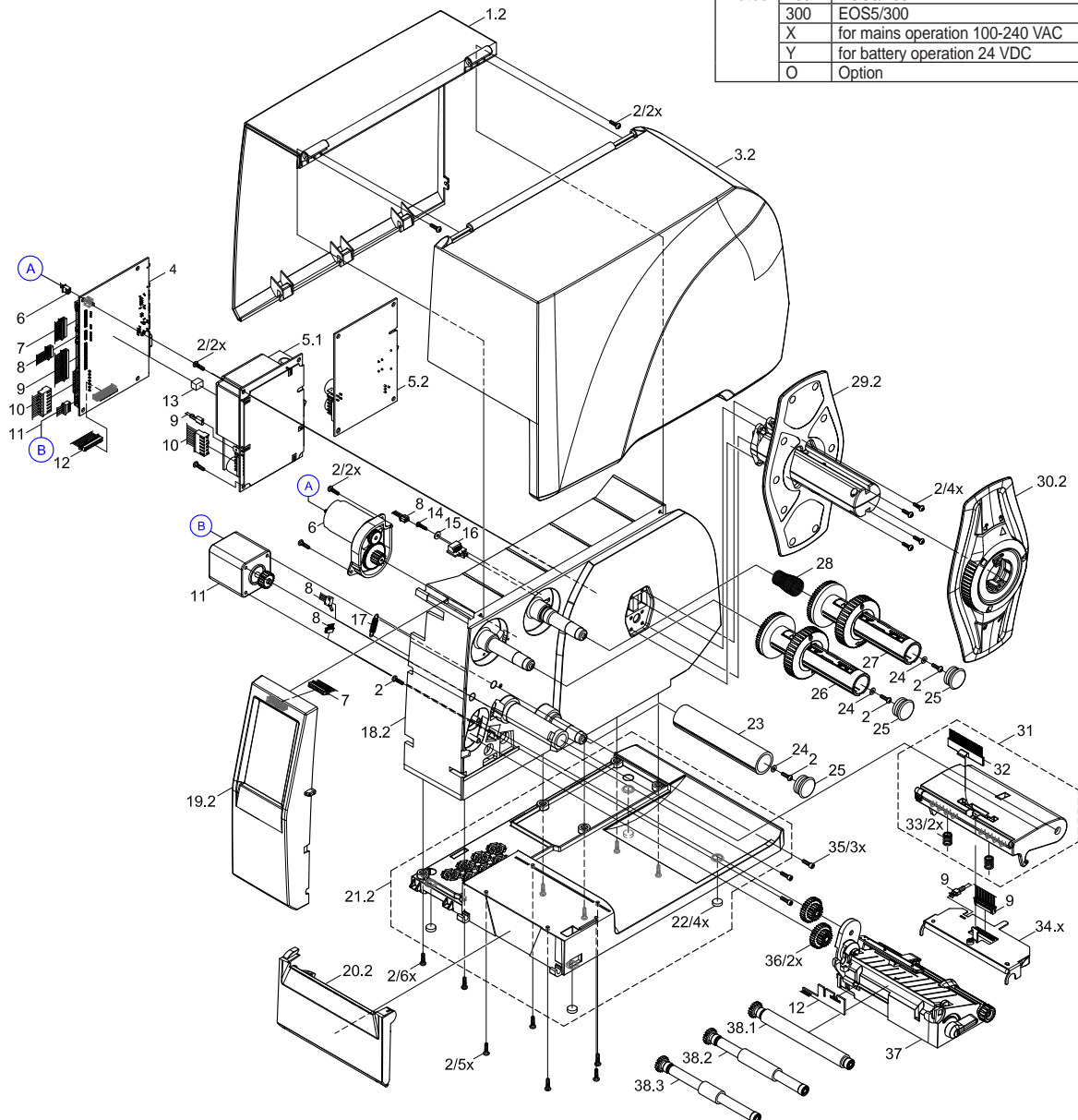
Notes	200	EOS2/200
	300	EOS2/300
	X	for mains operation 100-240 VAC
	Y	for battery operation 24 VDC
	O	Option



No	Part No.	Description	PU	Note	Serial No.	
					from	to
1.2	5965872.002	Cover Plate	1			
2	5902414.001	Screw EJOT-PT-K30x12	10			
3.2	5978408.001	Cover	1			
4	5551353.001	PCB CPU X4.2	1			
5.1	5551126.001	Power Supply	1	X		
5.2	5966366.001	DC/DC Converter	1	Y		
6	5978363.001	Gear Motor	1			
7	5977312.001	Cable Control Panel	1			
8	5978385.001	Cable Sensors	1			
9	5978386.001	Cable Printhead	1			
10	5978382.001	Cable Power Supply	1			
11	5965465.001	Stepper Motor	1			
12	5978387.001	Cable Cutter Connection	1			
13	5978379.001	Strip	1			
14	5902875.001	Screw EJOT-PT-K25x12	10			
15	5903017.001	Washer DIN9021-2,7	10			
16	5965359.001	Sensor	1			
17	5966209.001	Spring	1			
18.2	5978374.001	Chassis	1			
19.2	5978366.001	Control Panel	1			
20.2	5978370.001	Tear-off Plate	1			
21.2	5965882.001	Baseplate	1			

No	Part No.	Description	PU	Note	Serial No.	
					from	to
22	5540617.001	Foot	5			
23	5965477.001	Roller	1			
24	5903004.001	Washer DIN125-A3.2	10			
25	5907608.001	Stopper	1			
26	5978371.001	Ribbon Take-up Hub	1			
27	5978372.001	Ribbon Supply Hub	1			
28	5965427.001	Spring	1			
29.2	5965886.001	Media Hub	1			
30.2	5965885.001	Margin Stop	1			
31	5966354.001	Printhead Holder	1			
32	5966323.001	Antistatic Brush	1			
33	5906104.001	Spring	10			
34.1	5966096.001	Printhead 203	1	200		
34.2	5965580.001	Printhead 300	1	300		
35	5902867.001	Screw DIN7984-M3x8	10			
36	5965536.001	Gear Wheel Z31/19	1			
37	5978359.001	Transport Module	1			
38.1	5965488.001	Print Roller DR4	1			
38.2	5966219.001	Print Roller DR4-50	1	O		
38.3	5966218.001	Print Roller DR4-25	1	O		
-	9109296.001	Packaging	1			

Notes	200	EOS5/200
	300	EOS5/300
	X	for mains operation 100-240 VAC
	Y	for battery operation 24 VDC
	O	Option



Pos.	Figure/Page		No.	Part No.	Description	PU	SPR				Notes	Serial No.	
							from	to					
1	3	4	22	5540617.001	Foot	5	-	-	C	D			
2	3	4	5.1	5551126.001	Power Supply	1	-	-	C	D	X		
3	3	4	4	5551353.001	PCB CPU X4.2	1	-	-	C	D			
4	3	4	2	5902414.001	Screw EJOT-PT-K30x12	10	-	-	-	-			
5	3	4	35	5902867.001	Screw DIN7984-M3x8	10	-	-	-	-			
6	3	4	14	5902875.001	Screw EJOT-PT-K25x12	10	-	-	-	-			
7	3	4	24	5903004.001	Washer DIN125-A3.2	10	-	-	-	-			
8	3	4	15	5903017.001	Washer DIN9021-2,7	10	-	-	-	-			
9	3	4	33	5906104.001	Spring	10	-	-	-	-			
10	3	4	25	5907608.001	Stopper	1	-	-	-	-			
11	3	4	16	5965359.001	Sensor	1	-	-	C	D			
12	3		1.1	5965403.002	Cover Plate	1	-	-	-	-	2		
13	3	4	28	5965427.001	Spring	1	-	-	-	-			
14	3		29.1	5965455.001	Media Hub	1	-	-	-	D	2		
15	3		30.1	5965460.001	Margin Stop	1	-	-	-	D	2		
16	3	4	11	5965465.001	Stepper Motor	1	-	-	C	D			
17	3	4	23	5965477.001	Roller	1	-	-	-	-			
18	3	4	38.1	5965488.001	Print Roller DR4	1	A	B	C	D			
19	3	4	36	5965536.001	Gear Wheel Z31/19	1	-	-	-	-			
20	3	4	34.2	5965580.001	Printhead 300	1	A	B	C	D	300		
21		4	1.2	5965872.002	Cover Plate	1	-	-	-	-	5		
22		4	21.2	5965882.001	Baseplate	1	-	-	-	-	5		
23		4	30.2	5965885.001	Margin Stop	1	-	-	C	D	5		
24		4	29.2	5965886.001	Media Hub	1	-	-	-	D	5		
25	3	4	34.1	5966096.001	Printhead 203	1	A	B	C	D	200		
26	3		21.1	5966207.001	Baseplate	1	-	-	-	-	2		
27	3	4	17	5966209.001	Spring	1	-	-	-	-			
28	3	4	38.3	5966218.001	Print Roller DR4-25	1	-	-	C	D	O		
29	3	4	38.2	5966219.001	Print Roller DR4-50	1	-	-	C	D	O		
30	3	4	32	5966323.001	Antistatic Brush	1	-	-	C	D			
31	3	4	31	5966354.001	Printhead Holder	1	-	-	-	-			
32	3	4	5.2	5966366.001	DC/DC Converter	1	-	-	-	-	Y		
33	3	4	7	5977312.001	Cable Control Panel	1	-	-	-	-			
34	3	4	37	5978359.001	Transport Module	1	-	-	-	-			
35	3		20.1	5978360.001	Tear-off Plate	1	-	-	-	-	2		
36	3	4	6	5978363.001	Gear Motor	1	-	-	C	D			
37	3		19.1	5978365.001	Control Panel	1	-	-	C	D	2		
38		4	19.2	5978366.001	Control Panel	1	-	-	C	D	5		
39		4	20.2	5978370.001	Tear-off Plate	1	-	-	-	-	5		
40	3	4	26	5978371.001	Ribbon Take-up Hub	1	-	-	-	-			
41	3	4	27	5978372.001	Ribbon Supply Hub	1	-	-	-	-			
42	3		18.1	5978373.001	Chassis	1	-	-	-	-	2		
43		4	18.2	5978374.001	Chassis	1	-	-	-	-	5		
44	3	4	13	5978379.001	Strip	1	-	-	C	D			
45	3	4	10	5978382.001	Cable Power Supply	1	-	-	-	D			
46	3	4	8	5978385.001	Cable Sensors	1	-	-	-	D			
47	3	4	9	5978386.001	Cable Printhead	1	-	-	-	D			
48	3	4	12	5978387.001	Cable Cutter Connection	1	-	-	-	D			
49	3		3.1	5978407.001	Cover	1	-	-	-	D	2		
50		4	3.2	5978408.001	Cover	1	-	-	-	D	5		

Packaging/Accessories

Pos.	Figure/Page		No.	Part No.	Description	PU	SPR				Notes	Serial No.	
							from	to					
51				5550611.001	Power Cable Type E+F	1	-	-	-	-			
52				5901655.001	Cable USB	1	-	-	-	-			
53				9109295.001	Packaging	1	-	-	-	-	2		
54				9109296.001	Packaging	1	-	-	-	-	5		

PU Package unit

Notes 2 EOS2
5 EOS5
200 EOS2/200, EOS5/200
300 EOS2/300, EOS5/300
X for mains operation 100-240 VAC
Y for battery operation 24 VDC
O Option

SPR Recommendation

A - wearing parts and accessories
B - recommended spare parts for quick repair
C - recommended spare parts for distributors
D - recommended spare parts for central stores