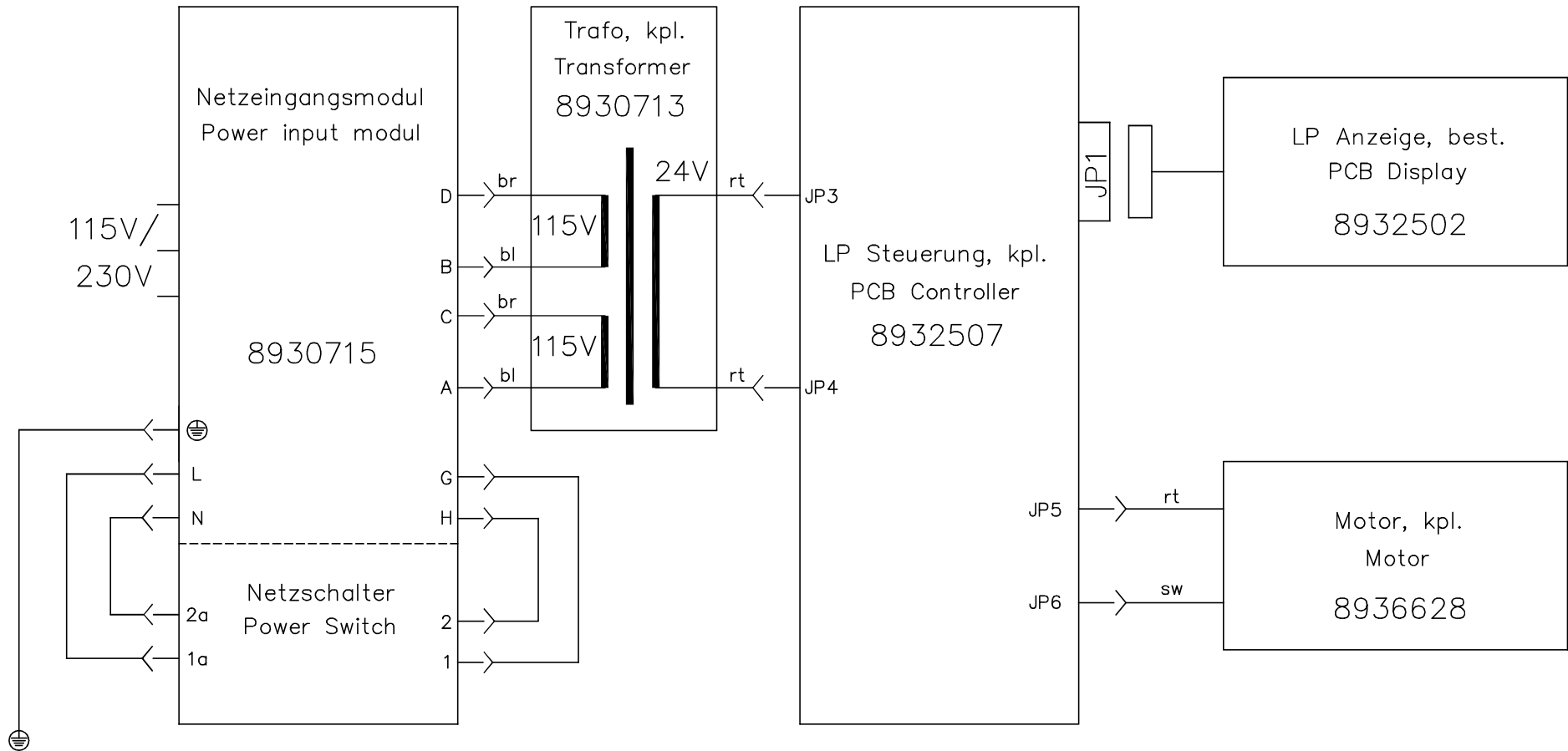


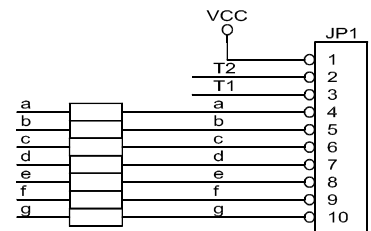
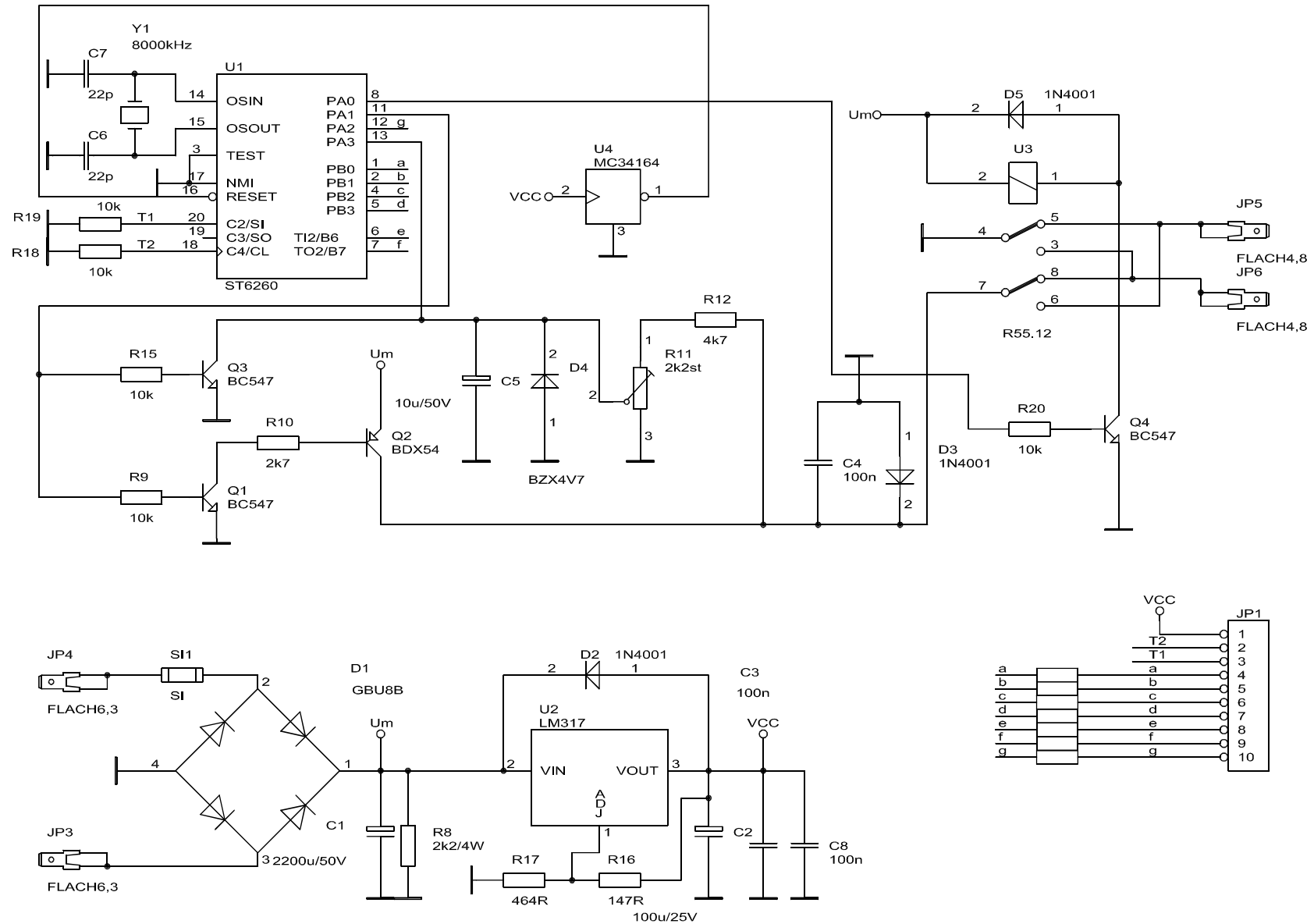
Blockschaltbild MAESTRO 2M
Block Diagram MAESTRO 2M

05-10-05



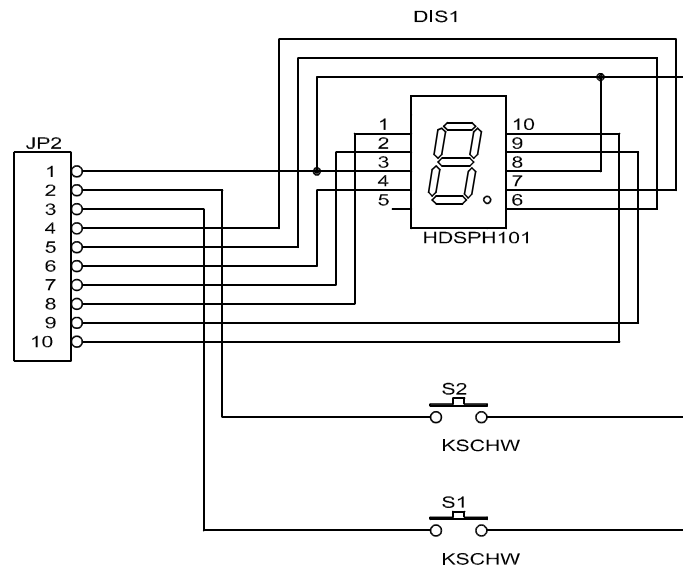
Stromlaufplan MAESTRO 2M - LP Steuerung, kpl. (Art.-Nr. 8932507)
Circuit Diagram MAESTRO 2M - PCB Controller (Part.-No. 8932507)

05-10-05



Stromlaufplan MAESTRO 2M - LP Anzeige, best. (Art.-Nr. 8932502)
Circuit Diagram MAESTRO 2M - PCB Display (Part.-No. 8932502)

05-10-05

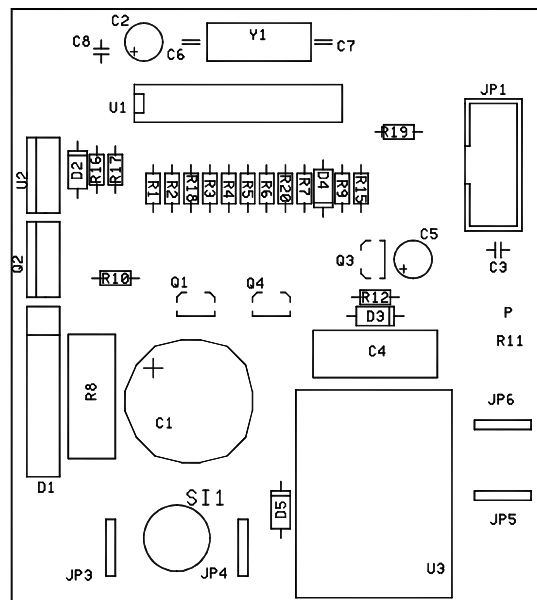


Bestückungsplan MAESTRO 2M
Layout Diagram MAESTRO 2M

05-10-05

LP Steuerung, kpl.
PCB Controller

Art.-No. 8932507



LP Anzeige, best.
PCB Display

Art.-No. 8932502

