

Spare Parts List



ALL-AROUND LABELER

for the following products

Family
All-around labeler

Edition: 04/2019 - Part.-No. 9003180

Contents

1	Spare Parts.....	3
2	Spare Parts Register	4
3	Accessories	4

Copyright

This documentation as well as translation hereof are property of cab Produkttechnik GmbH & Co. KG. The replication, conversion, duplication or divulgement of the whole manual or parts of it for other intentions than its original intended purpose - in particular the procurement of spare parts for products sold by cab – demand the previous written authorisation by cab.

Editor

Regarding questions or comments please contact cab Produkttechnik GmbH & Co. KG.

Topicality

Due to the constant further development of our products discrepancies between documentation and product can occur. Please check www.cab.de for the latest update.

Terms and conditions

Deliveries and performances are effected under the "General conditions of sale of cab"

Germany
cab Produkttechnik GmbH & Co KG
 Karlsruhe
 Phone +49 721 6626 0
www.cab.de

USA
cab Technology, Inc.
 Chelmsford, MA
 Phone +1 978 250 8321
www.cab.de/us

Taiwan
cab Technology Co., Ltd.
 Taipei
 Phone +886 (02) 8227 3966
www.cab.de/tw

China
cab (Shanghai) Trading Co., Ltd.
 Guangzhou
 Phone +86 (020) 2831 7358
www.cab.de/cn

France
cab Technologies S.à.r.l.
 Niedermodern
 Phone +33 388 722501
www.cab.de/fr

Mexico
cab Technology, Inc.
 Juárez
 Phone +52 656 682 4301
www.cab.de/es

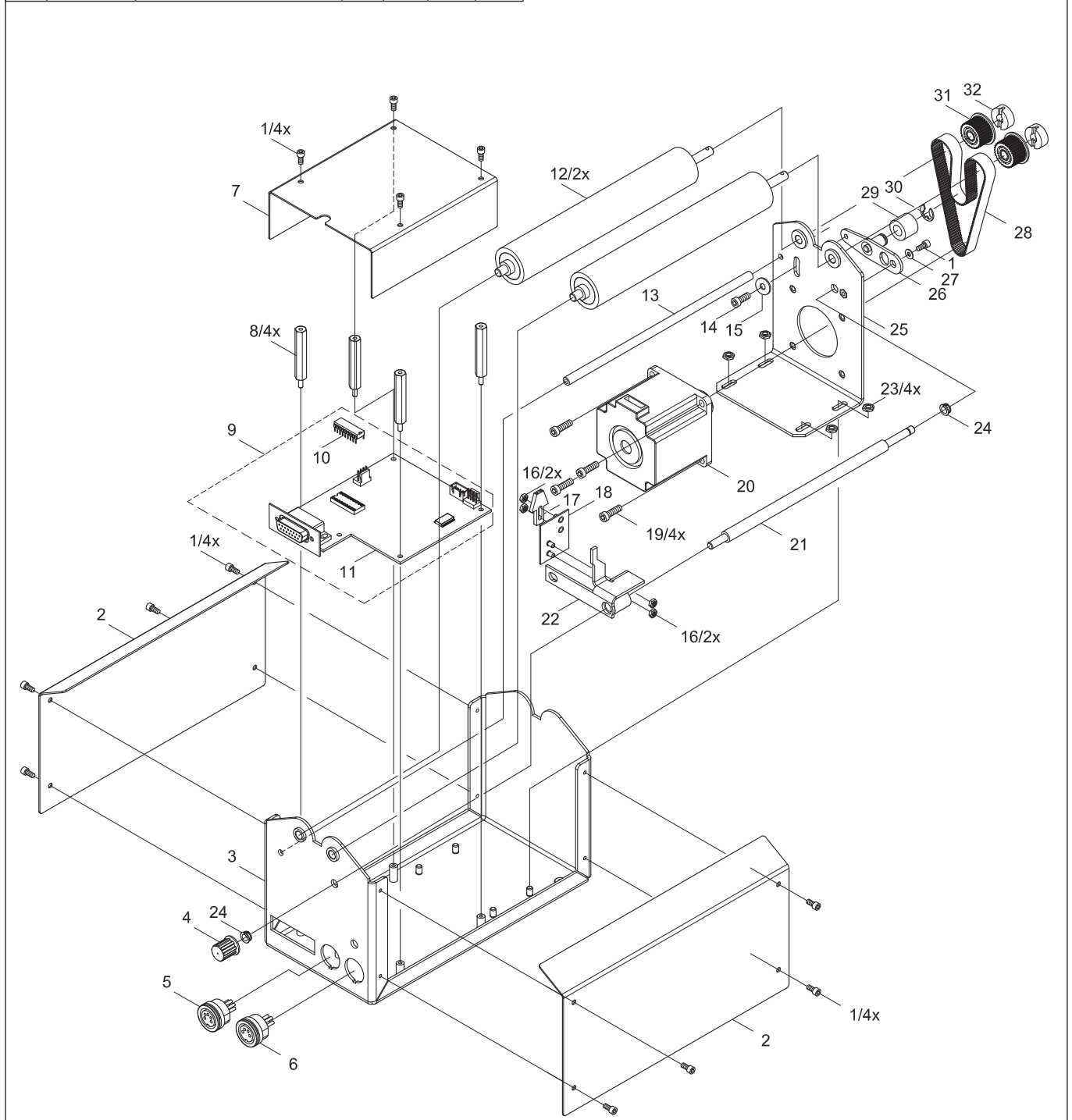
China
cab (Shanghai) Trading Co., Ltd.
 Shanghai
 Phone +86 (021) 6236 3161
www.cab.de/cn

South Africa
cab Technology (Pty) Ltd.
 Randburg
 Phone +27 11 886 3580
www.cab.de/za

1 Spare Parts

No	Part No.	Description	PU	Note	Serial No.	
					from	to
1	5902168.001	Screw DIN912-M3x5	10			
2	5539989.001	Cover	1			
3	5941349.001	Frame	1			
4	5530444.001	Knurled Knob	1			
5	5536379.001	Connector Foot Swich	1			
6	5536380.001	Connector 24V	1			
7	5536389.001	Cover Plate	1			
8	5536390.001	Distance Bolt M3-40	1			
9	5536378.001	Control	1			
10	5960249.001	Controller	1			
11	5960248.001	PCB Control	1			
12	5539991.001	Roller	1			
13	5536368.001	Axle	1			
14	5902049.001	Screw DIN912-M4x6	10			
15	5903003.001	Washer DIN125-A4.3	10			
16	5902505.001	Nut DIN934-M3	10			

No	Part No.	Description	PU	Note	Serial No.	
					from	to
17	5941487.001	Sensor	1			
18	5969809.001	Plate	1			
19	5902002.001	Screw DIN912-M4x10	10			
20	5946206.001	Stepper Motor	1			
21	5536372.001	Spindle	1			
22	5941350.001	Stopper	1			
23	5902541.001	Nut DIN439-M4	10			
24	5901020.001	Plastic Bushing	10			
25	5941347.001	Motor Bracket	1			
26	5536366.001	Belt Tension Bracket	1			
27	5903004.001	Washer DIN125-A3.2	10			
28	5905196.001	Belt 150MXL 037	1			
29	5536367.001	Belt Roller	1			
30	5903519.001	E-Ring DIN6799-6	10			
31	5539987.001	Gear	1			
32	5539988.001	Pivot Arm	1			



Pos.	Figure/Page	No.	Part No.	Description	PU	SPR				Notes	Serial No.	
											from	to
1	3	4	5530444.001	Knurled Knob	1							
2	3	26	5536366.001	Belt Tension Bracket	1							
3	3	29	5536367.001	Belt Roller	1							
4	3	13	5536368.001	Axle	1							
5	3	21	5536372.001	Spindle	1							
6	3	9	5536378.001	Control	1							
7	3	5	5536379.001	Connector Foot Swich	1							
8	3	6	5536380.001	Connector 24V	1							
9	3	7	5536389.001	Cover Plate	1							
10	3	8	5536390.001	Distance Bolt M3-40	1							
11	3	31	5539987.001	Gear	1							
12	3	32	5539988.001	Pivot Arm	1							
13	3	2	5539989.001	Cover	1							
14	3	12	5539991.001	Roller	1			C	D			
15	3	24	5901020.001	Plastic Bushing	10							
16	3	19	5902002.001	Screw DIN912-M4x10	10							
17	3	14	5902049.001	Screw DIN912-M4x6	10							
18	3	1	5902168.001	Screw DIN912-M3x5	10							
19	3	16	5902505.001	Nut DIN934-M3	10							
20	3	23	5902541.001	Nut DIN439-M4	10							
21	3	15	5903003.001	Washer DIN125-A4.3	10							
22	3	27	5903004.001	Washer DIN125-A3.2	10							
23	3	30	5903519.001	E-Ring DIN6799-6	10							
24	3	28	5905196.001	Belt 150MXL 037	1			C	D			
25	3	25	5941347.001	Motor Bracket	1							
26	3	3	5941349.001	Frame	1							
27	3	22	5941350.001	Stopper	1							
28	3	17	5941487.001	Sensor	1			C	D			
29	3	20	5946206.001	Stepper Motor	1				D			
30	3	11	5960248.001	PCB Control	1				D			
31	3	10	5960249.001	Controller	1							
32	3	18	5969809.001	Plate	1							

3 Accessories

Pos.	Figure/Page	No.	Part No.	Description	PU	SPR				Notes	Serial No.	
											from	to
33			5536384.001	Power Supply	1							
34			5550611.001	Power Cable Type E+F	1							
35			5550999.001	Cable SQUIX	1							

PU Package unit

SPR Recommendation

A - wearing parts and accessories

B - recommended spare parts for quick repair

C - recommended spare parts for distributors

D - recommended spare parts for central stores