



All-around labeler

Made in Germany

2 Operator's Manual for the following product

2

Family
All-around labeler

Edition: 04/2018 - **Part.-No.** 9003176

Copyright

This documentation as well as translation hereof are property of cab Produkttechnik GmbH & Co. KG.

The replication, conversion, duplication or divulgement of the whole manual or parts of it for other intentions than its original intended purpose demand the previous written authorization by cab.

Editor

Regarding questions or comments please contact cab Produkttechnik GmbH & Co. KG.

Topicality

Due to the constant further development of our products discrepancies between documentation and product can occur.

Please check www.cab.de for the latest update.

Terms and conditions

Deliveries and performances are effected under the General conditions of sale of cab.

Germany
cab Produkttechnik GmbH & Co KG
Karlsruhe
Phone +49 721 6626 0
www.cab.de

USA
cab Technology, Inc.
Chelmsford, MA
Phone +1 978 250 8321
www.cab.de/us

Taiwan
cab Technology Co., Ltd.
Taipei
Phone +886 (02) 8227 3966
www.cab.de/tw

China
cab (Shanghai) Trading Co., Ltd.
Guangzhou
Phone +86 (020) 2831 7358
www.cab.de/cn

France
cab Technologies S.à.r.l.
Niedermodern
Phone +33 388 722501
www.cab.de/fr

Mexico
cab Technology, Inc.
Juárez
Phone +52 656 682 4301
www.cab.de/es

China
cab (Shanghai) Trading Co., Ltd.
Shanghai
Phone +86 (021) 6236 3161
www.cab.de/cn

South Africa
cab Technology (Pty) Ltd.
Randburg
Phone +27 11 886 3580
www.cab.de/za

1	Introduction	4
1.1	Instructions.....	4
1.2	Intended Use.....	4
1.3	Safety Instructions.....	5
1.4	Environment.....	5
2	Product description	6
2.1	Technical data	6
2.2	Components.....	6
3	Installation	7
3.1	Adjust the product position.....	8
3.2	Interfaces	9
3.3	Settings in the printer setup	9

1.1 Instructions

Important information and instructions in this documentation are designated as follows:



Danger!

Draws attention to an exceptionally great, imminent danger to your health or life due to hazardous voltages.



Danger!

Draws attention to a danger with high risk which, if not avoided, may result in death or serious injury.



Warning!

Draws attention to a danger with medium risk which, if not avoided, may result in death or serious injury.



Caution!

Draws attention to a danger with low risk which, if not avoided, may result in minor or moderate injury.



Attention!

Draws attention to potential risks of property damage or loss of quality.



Note!

Advice to make work routine easier or on important steps to be carried out.



Environment!

Gives you tips on protecting the environment.



Handling instruction



Reference to section, position, illustration number or document.



Option (accessories, peripheral equipment, special fittings).

Time Information in the display.

1.2 Intended Use

- The device is manufactured in accordance with the current technological status and the recognized safety rules. However, danger to life and limb of the user or third parties and/or damage to the device and other tangible assets can arise during use.
- The device may only be used for its intended purpose and if it is in perfect working order, and it must be used with regard to safety and dangers as stated in the operating manual.
- The device module mounted on a cab printer of the SQUIX series with a tamp applicator is intended exclusively for applying suitable materials that have been approved by the manufacturer on suitable products. Any other use or use going beyond this shall be regarded as improper use. The manufacturer/supplier shall not be liable for damage resulting from unauthorized use; the user shall bear the risk alone.
- Usage for the intended purpose also includes complying with the operating manual, including the manufacturer's maintenance recommendations and specifications.



Note!

The complete and current version of the documentation can be found in the Internet.

1.3 Safety Instructions



Attention!

Initiation, adjustments and changing of parts are to be performed by qualified service personnel only.



Warning!

This is a class A product. In a domestic environment this product may cause radio interference in which case the user may be required to take adequate measures.

- Before mounting the delivered components disconnect the printer from the power supply and close the shutoff valve of the applicator.
- Only connect the device to other devices which have a protective low voltage.
- Switch off all affected devices (computer, printer, accessories) before connecting or disconnecting.
- In operation, moving parts are easily accessible.
This applies especially for the zone, where the pad is moved between the starting and the labelling position and the rotating rolls of the module.
During operation do not reach into that zone and keep long hair, loose clothes, and jewelry distant. Before any manipulations in those areas, close the shutoff valve.
- The device may only be used in a dry environment, do not expose it to moisture (sprays of water, mists, etc.).
- Do not use the device in an explosive atmosphere.
- Do not use the device close to high-voltage power lines.
- Perform only those actions described in this operating manual.
Work going beyond this may only be performed by trained personnel or service technicians.
- Unauthorized interference with electronic modules or their software can cause malfunctions.
- Other unauthorized work on or modifications to the device can also endanger operational safety.
- Always have service work done in a qualified workshop, where the personnel have the technical knowledge and tools required to do the necessary work.



Danger!

Danger to life and limb from power supply.

- ▶ Do not open the device casing.

1.4 Environment



Obsolete devices contain valuable recyclable materials that should be sent for recycling.

- ▶ Send to suitable collection points, separately from residual waste.
The modular construction of the print module enables it to be easily disassembled into its component parts.
- ▶ Send the parts for recycling.

The following configuration describes a complete solution from cab.
The components are offered individually and can be configured individually.

2.1 Technical data

Technical data		Tamp pad		
		A1021	M1021	
Material guide		left-aligned	left-aligned	centered
To be used with		SQUIX 2	SQUIX 4.3 , SQUIX 4 SQUIX 4.3 M , SQUIX 4 M	
Label width	mm	25 - 63	25 - 116	25 - 110
Label height	mm	25 - 140		
Product diameter	mm	12 - 40		
Product surface		cylindric		
Product during labeling		in rotary motion		

Table 1 Technical data

2.2 Components

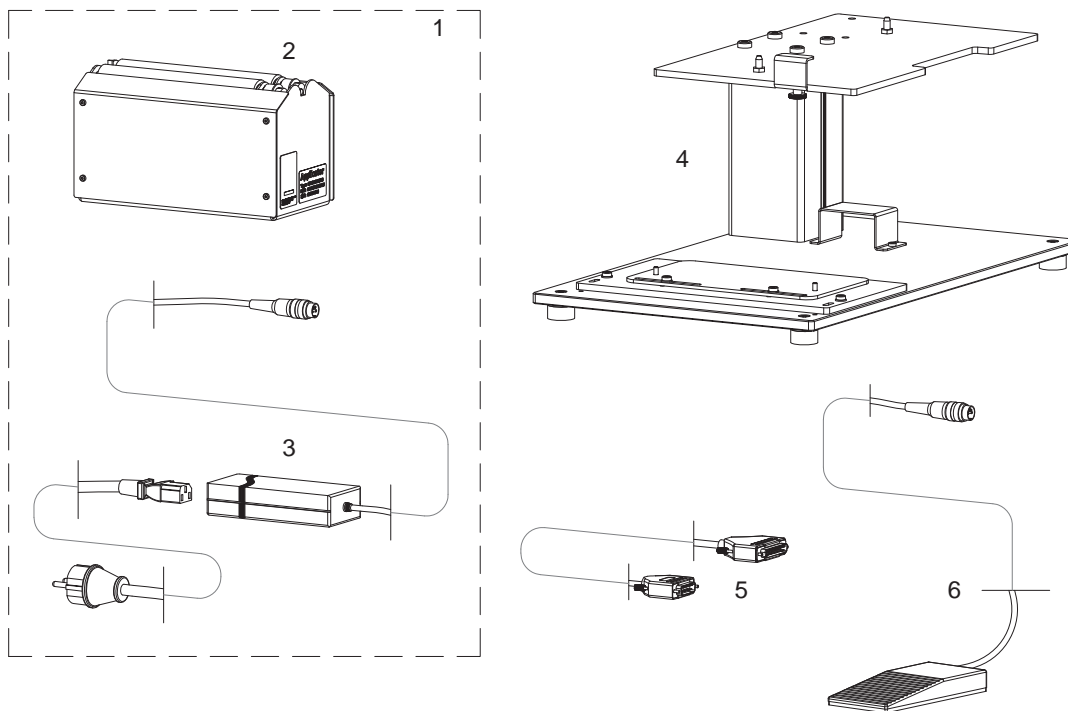


Figure 1 Overview . components

Mounting unit All-around labeler

- 1 All-around labeler, cpl.
- 2 All-around labeler module
- 3 Power supply with cable
- 2 Mounting foot
- 4 Connecting cable
- 5 Foot switch (optional)

**Note!**

Use the technical documents of the printer and applicator for the installation of these components.

For more information like spare parts lists, service - and configuration manuals of the printer and applicator use www.cab.de .

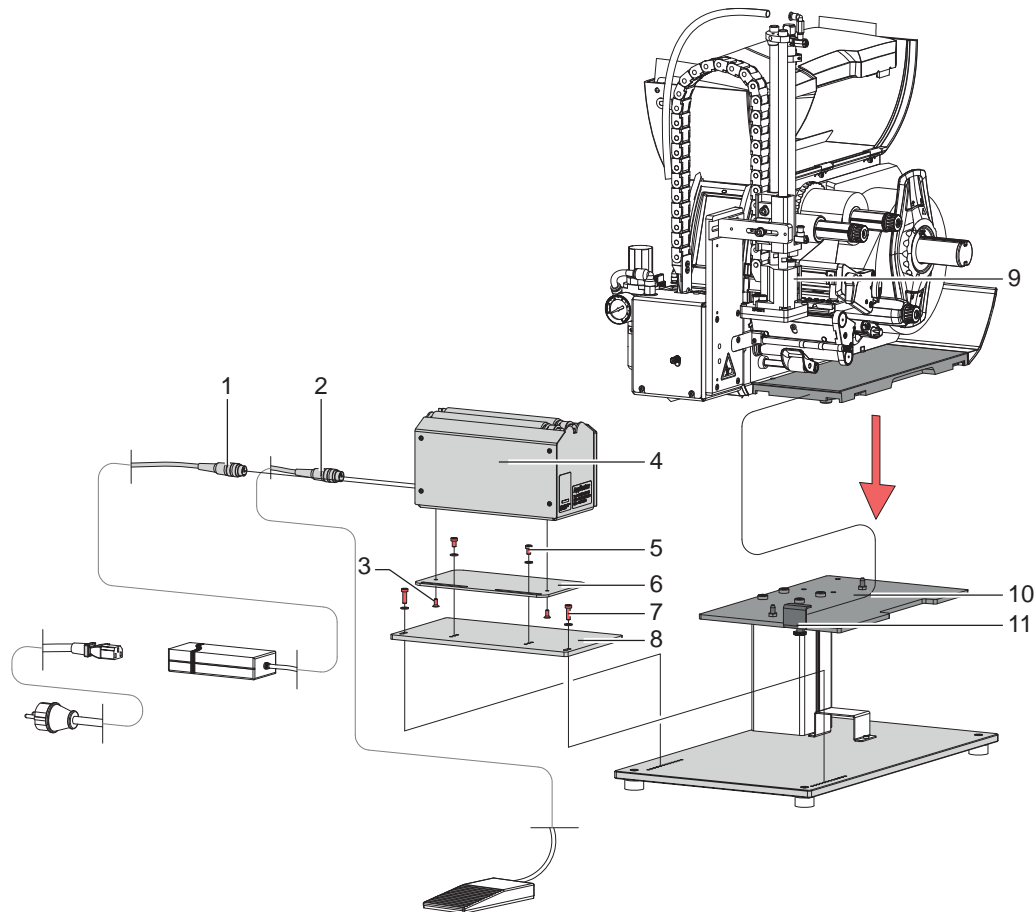


Figure 2 Mounting

- ▶ Mount the All-around labeler module(4) on the adjusting plate A (6) by screws (3).
- ▶ Mount the adjusting plate B (8) with the screws (7) on the base plate of the Mounting foot (12).
- ▶ Mount the module (4) with adjusting plate A (6) on the adjusting plate B (8) and tighten screws (5).
- ▶ Put on the printer at the bolts on the mounting plate (10) and fix the clamp with the knurled screw (11) .
- ▶ Mount the applicator corresponding the documentation of the printer and applicator (9).
- ▶ Connect all cables and the compressed air.
 - ▷ Documentation applicator / printer and section interfaces

3.1 Adjust the product position

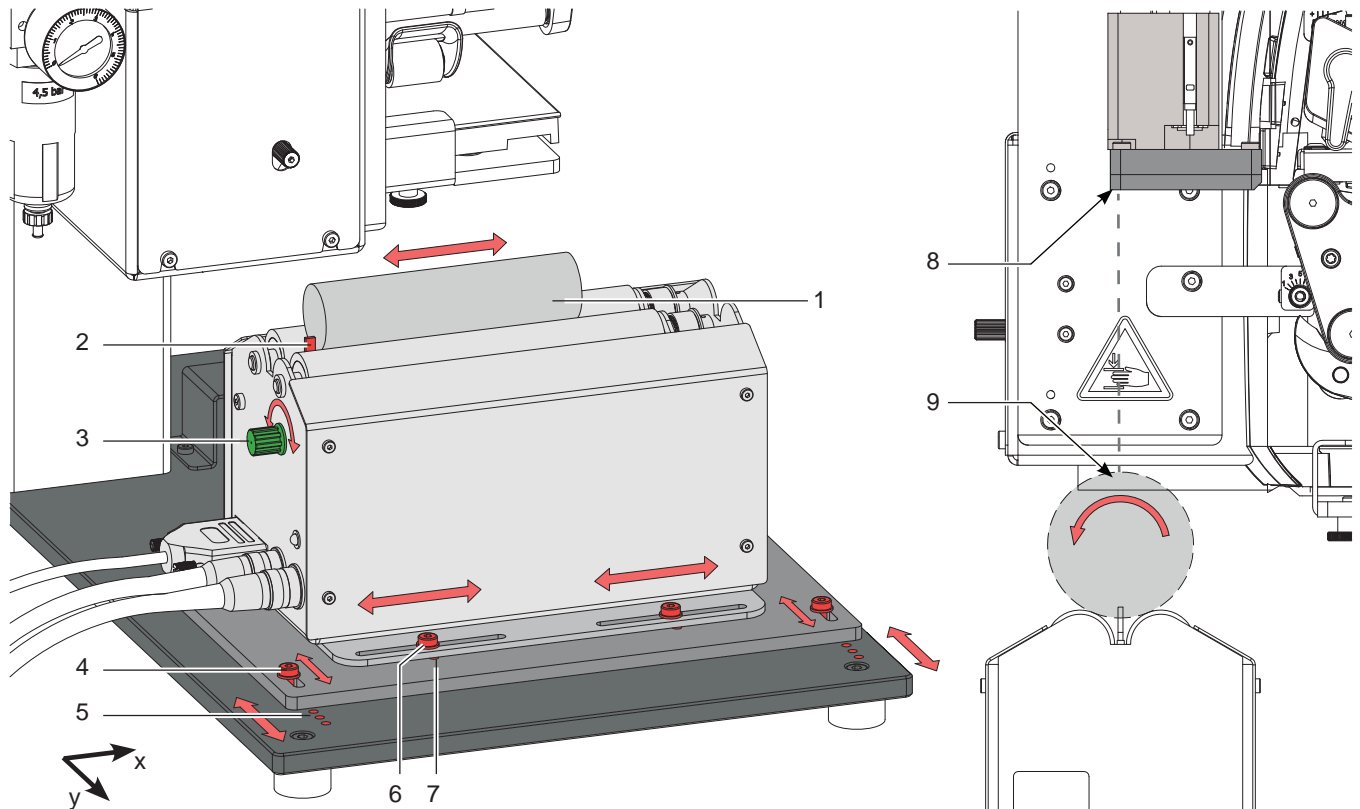


Figure 3 Mechanical adjustments

It's possible to move the All-around labeler module in X and Y direction to adjust the product (1) in the labeling position to the applicator.

You can also move the product in X direction on the module.

The product must be placed so that the label will put on the edge in rotating direction. So you can get a labeling over the complete label surface.

Y direction

- ▶ A row of threaded holes in Y direction are present on the base plate (5) and the adjusting plate 2 (7) . Mount the module with the screws (4) and (6) in the right position in Y direction.
- ▶ For the final adjustment use the long holes on screws (4).

X direction

- ▶ For the basic settings loosen screws (6) and move the module into the long holes..
- ▶ For the final adjustment rotate the knob (3) to move the stopper (2) with sensor.

It's possible to choose the rotating direction by Dip switches on the All-around labeler pcb.

	ON	OFF
S1-1	without product sensor	with product sensor
S1-2	rotating direction right	rotating direction left
S1-3	product sensor reflection	product sensor transmitted light
S1-4	product sensor reflection	product sensor transmitted light

Product sensor reflection: Not suitable for transparent or dark product material.

Product sensor transmitted light: Sensor needs enough external light for a certain function.

3.2 Interfaces

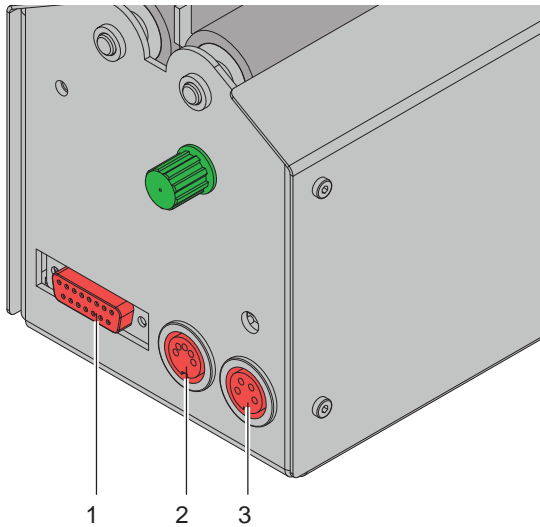





Figure 4 Interfaces

- 1 SUB-D 15 to I/O interface of the printer
- 2 Round socket foot switch
- 3 Round socket power supply

3.3 Settings in the printer setup

It is important to set the next parameter in the printer setup tu use the All-around labeler in a configuration with printer of the SQUIX series and a SQUX applicator like the S1000:

Setup  → Interfaces  → I/O  → Legacy IO → to *activ*

Setup  → Labeling  → Transfer mode  → to *Roll-on*

Time of labelling and product rotation:

Setup  → Labeling  → Roll-on time  in ms (max. 5 sek)

