

## Spare Parts List



Applicator

# S1000

| Family | Type      |
|--------|-----------|
| S1000  | S1000-220 |
|        | S1000-300 |
|        | S1000-400 |

### Contents

|   |  |    |
|---|--|----|
| 1 | Chassis, PCBs, Service Unit .....      | 3  |
| 2 | Valve Terminal, Vacuum Generator ..... | 4  |
| 3 | Energy Track.....                      | 5  |
| 4 | Cylinder Assembly, Blow Tube.....      | 6  |
| 5 | Universal Pads.....                    | 7  |
| 6 | Spare Parts Register .....             | 8  |
| 7 | Packaging.....                         | 10 |

Edition: 06/2024 - Part No. 9003147

### Copyright

This documentation as well as translation hereof are property of cab Produkttechnik GmbH & Co. KG. The replication, conversion, duplication or divulgement of the whole manual or parts of it for other intentions than its original intended purpose - in particular the procurement of spare parts for products sold by cab – demand the previous written authorisation by cab.

### Editor

Regarding questions or comments please contact cab Produkttechnik GmbH & Co. KG.

### Topicality

Due to the constant further development of our products discrepancies between documentation and product can occur. Please check [www.cab.de](http://www.cab.de) for the latest update.

### Terms and conditions

Deliveries and performances are effected under the "General conditions of sale of cab"

---

Germany  
**cab Produkttechnik GmbH & Co KG**  
Karlsruhe  
Phone +49 721 6626 0  
[www.cab.de](http://www.cab.de)

USA  
**cab Technology, Inc.**  
Chelmsford, MA  
Phone +1 978 250 8321  
[www.cab.de/us](http://www.cab.de/us)

Taiwan  
**cab Technology Co., Ltd.**  
Taipei  
Phone +886 (02) 8227 3966  
[www.cab.de/tw](http://www.cab.de/tw)

Singapore  
**cab Singapore Pte. Ltd.**  
Singapore  
Phone +65 6931 9099  
[www.cab.de/en](http://www.cab.de/en)

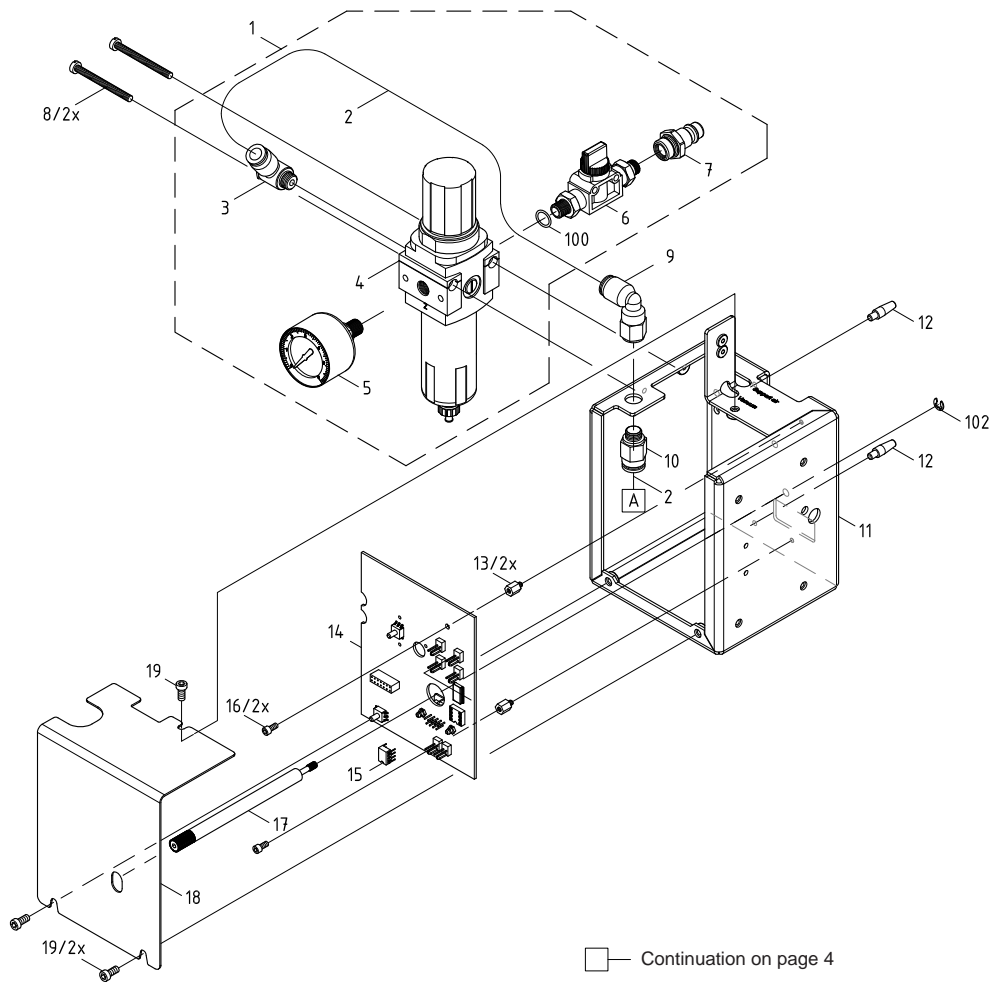
France  
**cab Technologies S.à.r.l.**  
Niedermodern  
Phone +33 388 722501  
[www.cab.de/fr](http://www.cab.de/fr)

Mexico  
**cab Technology, Inc.**  
Juárez  
Phone +52 656 682 4301  
[www.cab.de/es](http://www.cab.de/es)

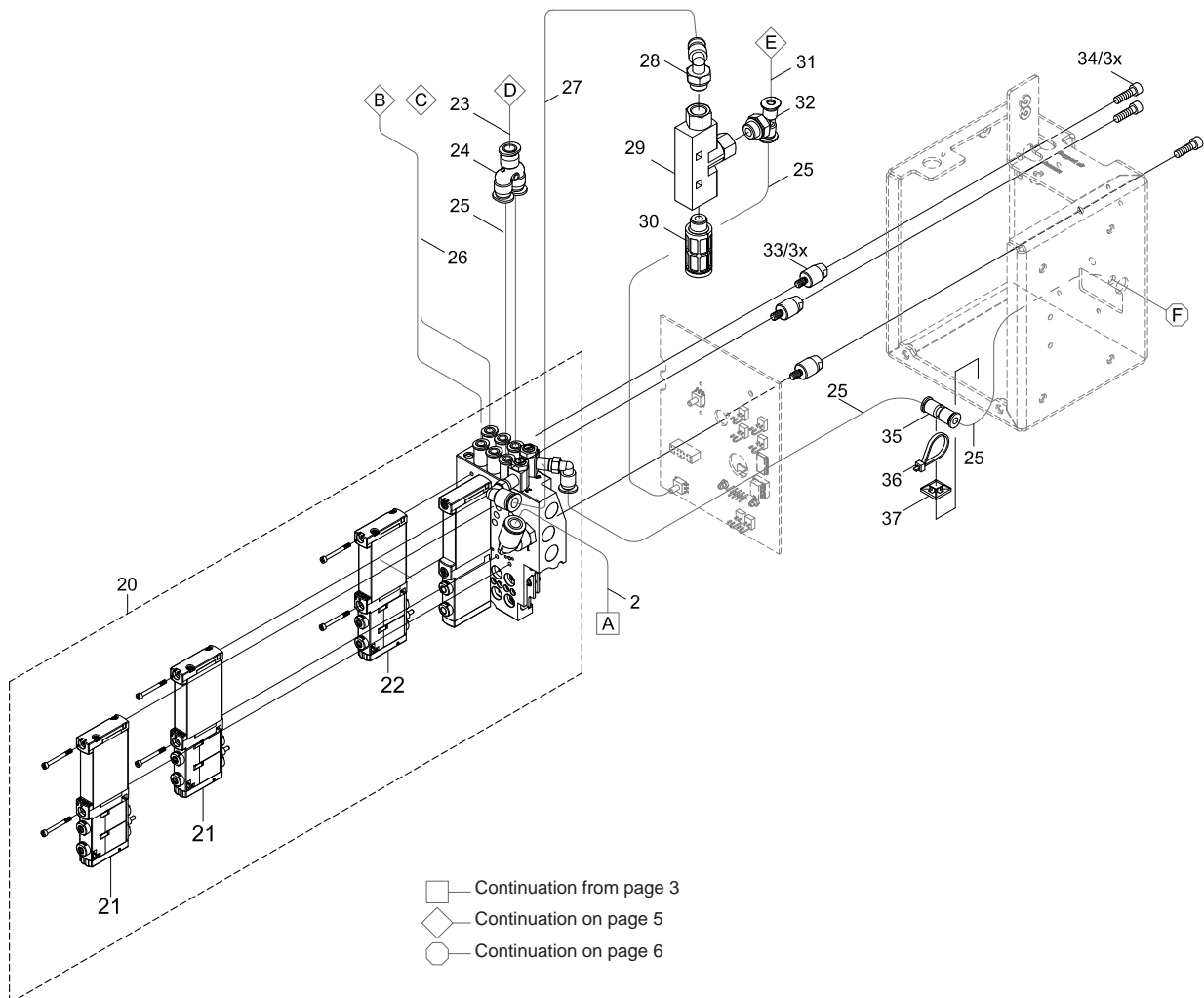
China  
**cab (Shanghai) Trading Co., Ltd.**  
Shanghai  
Phone +86 (021) 6236 3161  
[www.cab.de/cn](http://www.cab.de/cn)

South Africa  
**cab Technology (Pty) Ltd.**  
Randburg  
Phone +27 11 886 3580  
[www.cab.de/za](http://www.cab.de/za)

| No  | Part No.    | Description              | PU | Note | Serial No. |    |
|-----|-------------|--------------------------|----|------|------------|----|
|     |             |                          |    |      | from       | to |
| 1   | 5979024.001 | Service Unit             | 1  |      |            |    |
| 2   | 5966465.001 | Tube Ø8                  | 2m |      |            |    |
| 3   | 5906913.001 | Push-in L-Connector      | 1  |      |            |    |
| 4   | 5907339.001 | Filter Regulator         | 1  |      |            |    |
| 5   | 5907340.001 | Manometer                | 1  |      |            |    |
| 6   | 5907338.001 | Block Valve              | 1  |      |            |    |
| 7   | 5907337.001 | Coupling Plug            | 1  |      |            |    |
| 8   | 5902449.001 | Screw DIN7984-M4x40      | 10 |      |            |    |
| 9   | 5905285.001 | Push-in L-Connector      | 1  |      |            |    |
| 10  | 5905667.001 | Push-in/threaded Fitting | 1  |      |            |    |
| 11  | 5978948.001 | Frame                    | 1  |      |            |    |
| 12  | 5949144.001 | Center Pin               | 1  |      |            |    |
| 13  | 5949058.001 | Distance Bolt M3x7.5     | 1  |      |            |    |
| 14  | 5978994.001 | PCB Control              | 1  |      |            |    |
| 15  | 5978993.001 | EEPROM                   | 1  |      |            |    |
| 16  | 5902007.001 | Screw DIN912-M3x6        | 10 |      |            |    |
| 17  | 5978945.001 | Knurled Screw            | 1  |      |            |    |
| 18  | 5978950.001 | Cover                    | 1  |      |            |    |
| 19  | 5902241.001 | Screw DIN7984-M4x10      | 10 |      |            |    |
| 101 | 5905130.001 | Sealing Ring O-1/4-200   | 10 |      |            |    |
| 102 | 5903525.001 | E-Ring DIN 6799-4        | 10 |      |            |    |

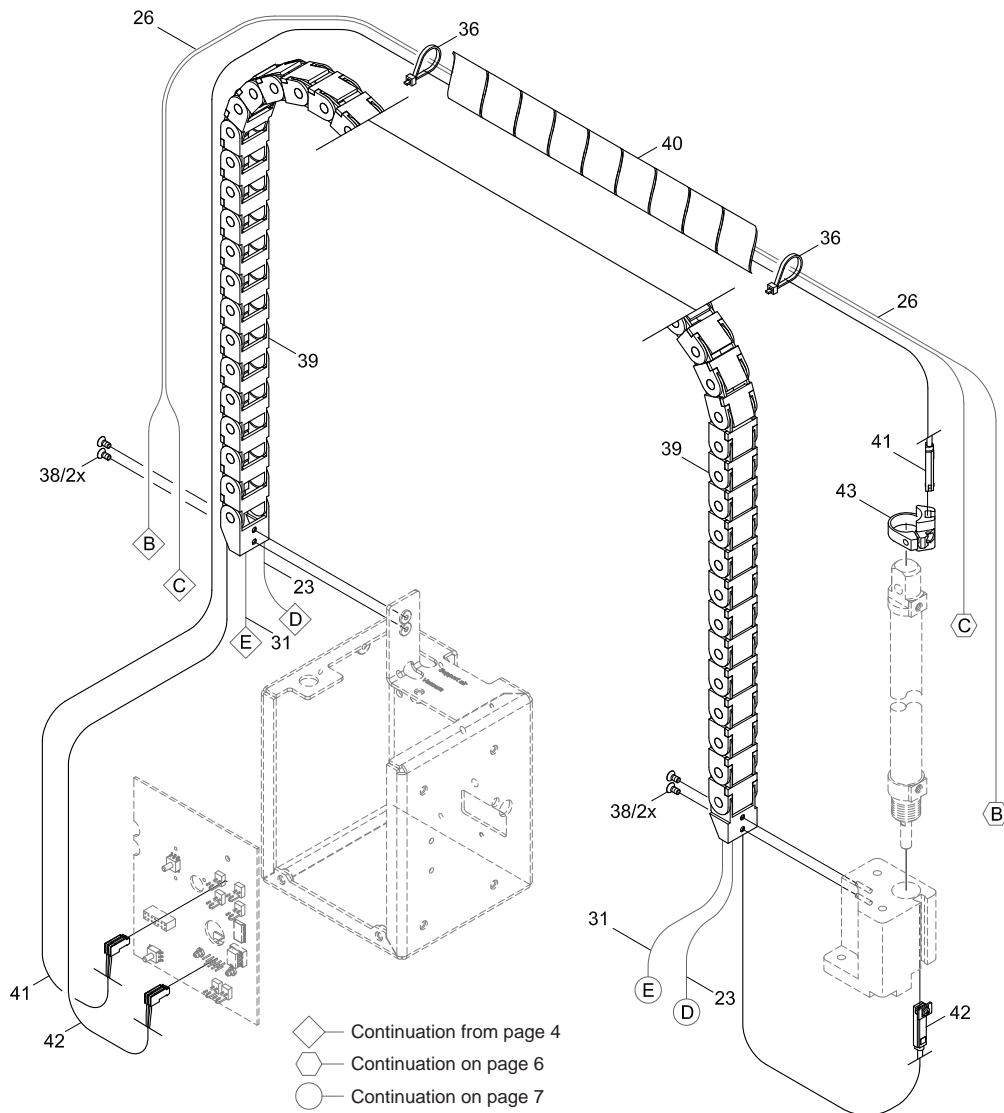


| No | Part No.    | Description              | PU | Note | Serial No. |    |
|----|-------------|--------------------------|----|------|------------|----|
|    |             |                          |    |      | from       | to |
| 2  | 5966465.001 | Tube Ø8                  | 2m |      |            |    |
| 20 | 5907276.001 | Valve Block              | 1  |      |            |    |
| 21 | 5907428.001 | Magnetic Valve           | 1  |      |            |    |
| 22 | 5907429.001 | Magnetic Valve           | 1  |      |            |    |
| 23 | 5966461.001 | Tube Ø6                  | 2m |      |            |    |
| 24 | 5905972.001 | Push-in Y-Fitting        | 1  |      |            |    |
| 25 | 5966463.001 | Tube Ø4                  | 2m |      |            |    |
| 26 | 5966466.001 | Tube Ø4 DUO              | 2m |      |            |    |
| 27 | 5966464.001 | Tube Ø6                  | 2m |      |            |    |
| 28 | 5906914.001 | Push-in L-Connector      | 1  |      |            |    |
| 29 | 5906844.001 | Vacuum Generator         | 1  |      |            |    |
| 30 | 5905257.001 | Silencer                 | 1  |      |            |    |
| 31 | 5966460.001 | Tube Ø4                  | 2m |      |            |    |
| 32 | 5906915.001 | Push-in T-Connector      | 1  |      |            |    |
| 33 | 5949469.001 | Distance Bolt            | 1  |      |            |    |
| 34 | 5902565.001 | Screw DIN7984-M4x10      | 10 |      |            |    |
| 35 | 5905603.001 | Push-in Fitting          | 1  |      |            |    |
| 36 | 5901505.001 | Cable Clamp L=102        | 10 |      |            |    |
| 37 | 5905124.001 | Adhesive Plate 12.7x12.7 | 10 |      |            |    |



| No   | Part No.    | Description        | PU | Note | Serial No. |    |
|------|-------------|--------------------|----|------|------------|----|
|      |             |                    |    |      | from       | to |
| 23   | 5966461.001 | Tube Ø6            | 2m |      |            |    |
| 26   | 5966466.001 | Tube Ø4 DUO        | 2m |      |            |    |
| 31   | 5966460.001 | Tube Ø4            | 2m |      |            |    |
| 36   | 5901505.001 | Cable Clamp L=102  | 10 |      |            |    |
| 38   | 5902839.001 | Screw DIN7991-M3x6 | 10 |      |            |    |
| 39.1 | 5949173.001 | Energy Track       | 1  | A    |            |    |
| 39.2 | 5949033.001 | Energy Track       | 1  | B    |            |    |
| 39.3 | 5949239.001 | Energy Track       | 1  | C    |            |    |
| 40   | 5901612.001 | Spiral Tube        | 1  |      |            |    |
| 41.1 | 5976127.001 | Sensor             | 1  | A    |            |    |
| 41.2 | 5976128.001 | Sensor             | 1  | B    |            |    |
| 41.3 | 5976129.001 | Sensor             | 1  | C    |            |    |
| 42.1 | 5976130.001 | Sensor             | 1  | A    |            |    |
| 42.2 | 5976131.001 | Sensor             | 1  | B    |            |    |
| 42.3 | 5976132.001 | Sensor             | 1  | C    |            |    |
| 43   | 5905593.001 | Mounting Clip      | 1  |      |            |    |

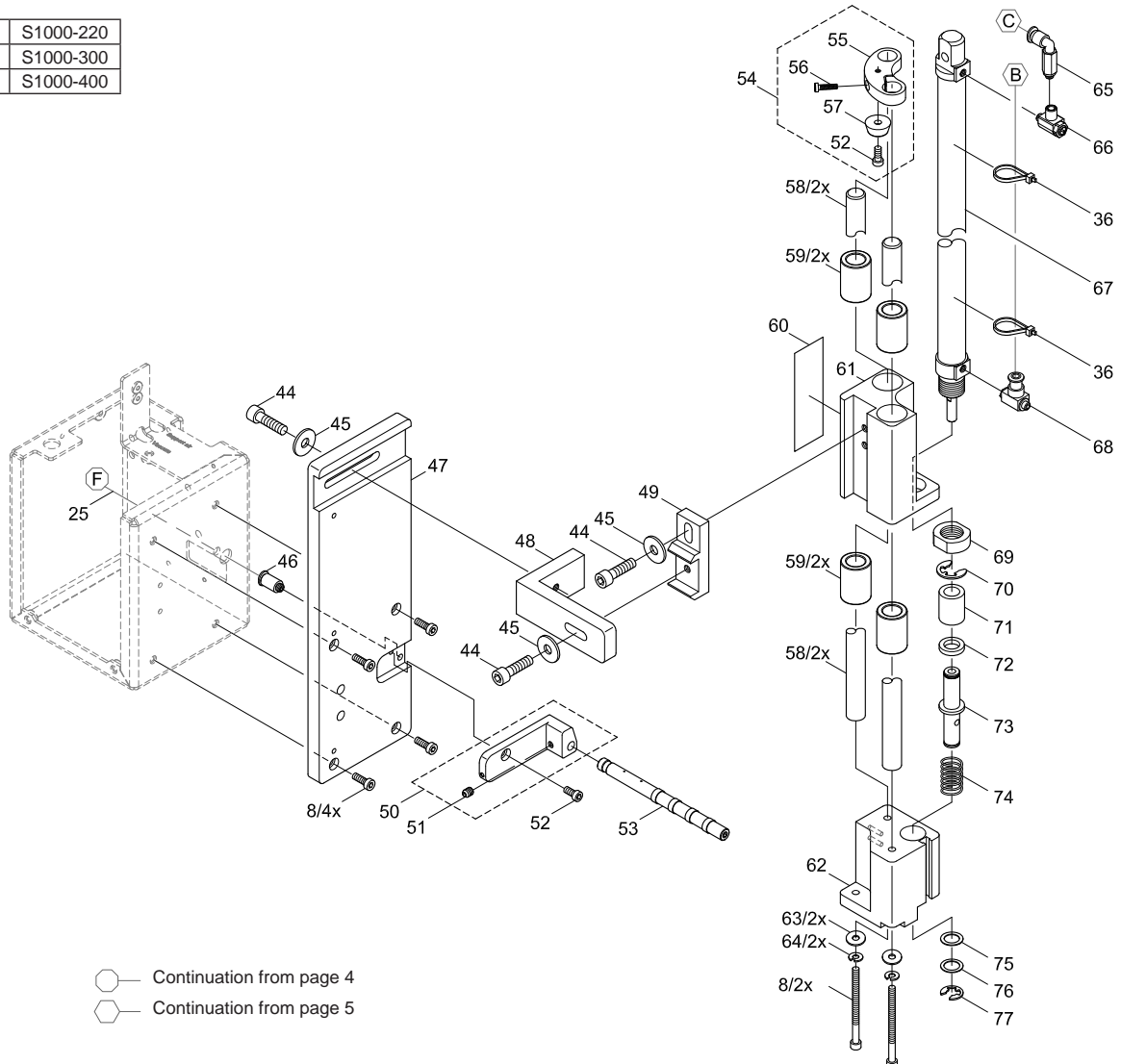
|   |           |
|---|-----------|
| A | S1000-220 |
| B | S1000-300 |
| C | S1000-400 |



| No   | Part No.    | Description              | PU | Note | Serial No. |    |
|------|-------------|--------------------------|----|------|------------|----|
|      |             |                          |    |      | from       | to |
| 8    | 5902449.001 | Screw DIN7984-M4x40      | 10 |      |            |    |
| 19   | 5902241.001 | Screw DIN7984-M4x10      | 10 |      |            |    |
| 25   | 5966463.001 | Tube Ø4                  | 2m |      |            |    |
| 36   | 5901505.001 | Cable Clamp L=102        | 10 |      |            |    |
| 44   | 5902262.001 | Screw DIN912-M6x18       | 10 |      |            |    |
| 45   | 5903040.001 | Washer DIN125-A6,4       | 10 |      |            |    |
| 46   | 5905283.001 | Push-in/threaded Fitting | 1  |      |            |    |
| 47   | 5949140.001 | Mounting Plate           | 1  |      |            |    |
| 48   | 5949141.001 | Bracket                  | 1  |      |            |    |
| 49   | 5949062.001 | Adjusting Plate          | 1  |      |            |    |
| 50   | 5949145.001 | Blow Tube Retainer       | 1  |      |            |    |
| 51   | 5904518.001 | Set Screw DIN916-M5x5    | 10 |      |            |    |
| 52   | 5902397.001 | Screw DIN7984-M4x6       | 10 |      |            |    |
| 54   | 5949089.001 | Stopper                  | 1  |      |            |    |
| 54   | 5949101.001 | Blow Tube                | 1  |      |            |    |
| 55   | 5949088.001 | Stopper                  | 1  |      |            |    |
| 56   | 5902009.001 | Screw DIN912-M3x12       | 10 |      |            |    |
| 57   | 5905780.001 | Foot                     | 5  |      |            |    |
| 58.1 | 5949171.001 | Rod                      | 1  | A    |            |    |
| 58.2 | 5949065.001 | Rod                      | 1  | B    |            |    |
| 58.3 | 5949237.001 | Rod                      | 1  | C    |            |    |

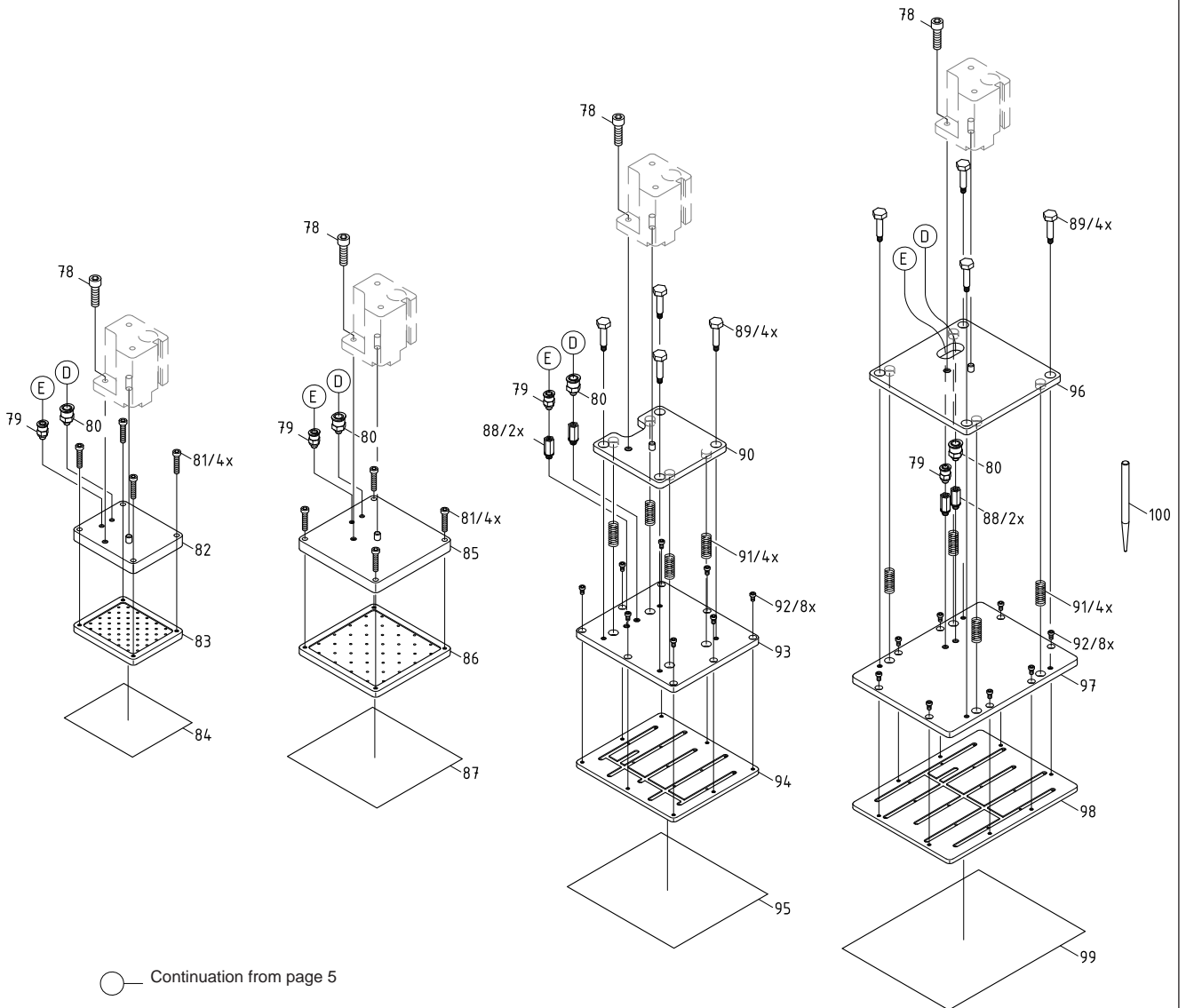
| No   | Part No.    | Description                | PU | Note | Serial No. |    |
|------|-------------|----------------------------|----|------|------------|----|
|      |             |                            |    |      | from       | to |
| 60   | 5949079.001 | Sliding Foil               | 1  |      |            |    |
| 61   | 5949060.001 | Guiding                    | 1  |      |            |    |
| 62   | 5949064.001 | Tamp Retainer              | 1  |      |            |    |
| 63   | 5903003.001 | Washer DIN125-A4.3         | 10 |      |            |    |
| 64   | 5903029.001 | Lock Washer DIN127-B4      | 10 |      |            |    |
| 65   | 5905252.001 | Push-in L-Connector        | 1  |      |            |    |
| 66   | 5905249.001 | One-way Flow Control Valve | 1  |      |            |    |
| 67.1 | 5905974.001 | Cylinder                   | 1  | A    |            |    |
| 67.2 | 5905973.001 | Cylinder                   | 1  | B    |            |    |
| 67.3 | 5906117.001 | Cylinder                   | 1  | C    |            |    |
| 68   | 5906636.001 | One-way Flow Control Valve | 1  |      |            |    |
| 69   | 5521159.001 | Nut                        | 1  |      |            |    |
| 70   | 5903510.001 | E-Ring DIN6799-9           | 10 |      |            |    |
| 71   | 5949113.001 | Bushing                    | 1  |      |            |    |
| 72   | 5905602.001 | Ring Magnet                | 1  |      |            |    |
| 73   | 5949112.001 | Adapter Bolt               | 1  |      |            |    |
| 74   | 5905069.001 | Spring                     | 1  |      |            |    |
| 75   | 5521158.001 | Washer                     | 1  |      |            |    |
| 76   | 5521157.001 | Washer                     | 1  |      |            |    |
| 77   | 5903501.001 | E-Ring DIN6799-7           | 10 |      |            |    |

|   |           |
|---|-----------|
| A | S1000-220 |
| B | S1000-300 |
| C | S1000-400 |



| No | Part No.    | Description              | PU | Note | Serial No. |    |
|----|-------------|--------------------------|----|------|------------|----|
|    |             |                          |    |      | from       | to |
| 78 | 5902169.001 | Screw DIN912-M6x14       | 10 |      |            |    |
| 79 | 5905251.001 | Push-in/threaded Fitting | 1  |      |            |    |
| 80 | 5905640.001 | Push-in/threaded Fitting | 1  |      |            |    |
| 81 | 5902562.001 | Screw DIN7984 M4x14      | 10 |      |            |    |
| 82 | 5949073.001 | Cover Plate              | 1  |      |            |    |
| 83 | 5949071.001 | Suction Plate            | 1  |      |            |    |
| 84 | 5949074.001 | Sliding Foil             | 1  |      |            |    |
| 85 | 5949133.001 | Cover Plate              | 1  |      |            |    |
| 86 | 5949134.001 | Suction Plate            | 1  |      |            |    |
| 87 | 5949135.001 | Sliding Foil             | 1  |      |            |    |
| 88 | 5905518.001 | Pipe Coupling            | 1  |      |            |    |
| 89 | 5941017.001 | Bolt                     | 1  |      |            |    |

| No  | Part No.    | Description         | PU | Note | Serial No. |    |
|-----|-------------|---------------------|----|------|------------|----|
|     |             |                     |    |      | from       | to |
| 90  | 5950658.001 | Mounting Plate cpl. | 1  |      |            |    |
| 91  | 5906100.001 | Spring              | 10 |      |            |    |
| 92  | 5902144.001 | Screw DIN7984-M3x5  | 10 |      |            |    |
| 93  | 5950659.001 | Cover Plate         | 1  |      |            |    |
| 94  | 5950660.001 | Suction Plate       | 1  |      |            |    |
| 95  | 5950661.001 | Sliding Foil        | 1  |      |            |    |
| 96  | 5950652.001 | Mounting Plate      | 1  |      |            |    |
| 97  | 5950653.001 | Cover Plate         | 1  |      |            |    |
| 98  | 5950654.001 | Suction Plate       | 1  |      |            |    |
| 99  | 5950655.001 | Sliding Foil        | 1  |      |            |    |
| 100 | 5949098.001 | Piercing Pin        | 1  |      |            |    |



| Pos. | Figure/Page |   |   |   | No.  | Part No.    | Description                | PU                       | SPR  |    |   |   | Notes | Serial No. |  |  |
|------|-------------|---|---|---|------|-------------|----------------------------|--------------------------|------|----|---|---|-------|------------|--|--|
|      |             |   |   |   |      |             |                            |                          | from | to |   |   |       |            |  |  |
| 1    |             |   |   | 6 | 76   | 5521157.001 | Washer                     | 1                        | -    | -  | - | - |       |            |  |  |
| 2    |             |   |   | 6 | 75   | 5521158.001 | Washer                     | 1                        | -    | -  | - | - |       |            |  |  |
| 3    |             |   |   | 6 | 69   | 5521159.001 | Nut                        | 1                        | -    | -  | - | - |       |            |  |  |
| 4    |             | 4 |   |   | 2    | 5966465.001 | Tube Ø8                    | 10                       | -    | B  | C | D |       |            |  |  |
| 5    |             | 4 | 5 | 6 | 36   | 5901505.001 | Cable Clamp L=102          | 1                        | -    | -  | - | - |       |            |  |  |
| 6    |             |   | 5 |   | 40   | 5901612.001 | Spiral Tube                | 10                       | -    | -  | - | - |       |            |  |  |
| 7    | 3           |   |   |   | 16   | 5902007.001 | Screw DIN912-M3x6          | 10                       | -    | -  | - | - |       |            |  |  |
| 8    |             |   |   | 6 | 56   | 5902009.001 | Screw DIN912-M3x12         | 10                       | -    | -  | - | - |       |            |  |  |
| 9    |             |   |   |   | 7    | 92          | 5902144.001                | Screw DIN7984-M3x5       | 10   | -  | - | - | -     |            |  |  |
| 10   |             |   |   |   | 7    | 78          | 5902169.001                | Screw DIN912-M6x14       | 10   | -  | - | - | -     |            |  |  |
| 11   | 3           |   |   | 6 | 19   | 5902241.001 | Screw DIN7984-M4x10        | 10                       | -    | -  | - | - |       |            |  |  |
| 12   |             |   |   | 6 | 44   | 5902262.001 | Screw DIN912-M6x18         | 10                       | -    | -  | - | - |       |            |  |  |
| 13   |             |   |   | 6 | 52   | 5902397.001 | Screw DIN7984-M4x6         | 10                       | -    | -  | - | - |       |            |  |  |
| 14   | 3           |   |   | 6 | 8    | 5902449.001 | Screw DIN7984-M4x40        | 10                       | -    | -  | - | - |       |            |  |  |
| 15   |             |   |   |   | 7    | 81          | 5902562.001                | Screw DIN7984 M4x14      | 10   | -  | - | - | -     |            |  |  |
| 16   |             | 4 |   |   | 34   | 5902565.001 | Screw DIN7984-M4x10        | 10                       | -    | -  | - | - |       |            |  |  |
| 17   |             |   | 5 |   | 38   | 5902839.001 | Screw DIN7991-M3x6         | 10                       | -    | -  | - | - |       |            |  |  |
| 18   |             |   |   | 6 | 63   | 5903003.001 | Washer DIN125-A4.3         | 10                       | -    | -  | - | - |       |            |  |  |
| 19   |             |   |   | 6 | 64   | 5903029.001 | Lock Washer DIN127-B4      | 10                       | -    | -  | - | - |       |            |  |  |
| 20   |             |   |   | 6 | 45   | 5903040.001 | Washer DIN125-A6,4         | 10                       | -    | -  | - | - |       |            |  |  |
| 21   |             |   |   | 6 | 77   | 5903501.001 | E-Ring DIN6799-7           | 10                       | -    | -  | - | - |       |            |  |  |
| 22   |             |   |   | 6 | 70   | 5903510.001 | E-Ring DIN6799-9           | 10                       | -    | -  | - | - |       |            |  |  |
| 23   | 3           |   |   |   | 102  | 5903525.001 | E-Ring DIN 6799-4          | 1                        | -    | -  | - | - |       |            |  |  |
| 24   |             |   |   | 6 | 51   | 5904518.001 | Set Screw DIN916-M5x5      | 10                       | -    | -  | - | - |       |            |  |  |
| 25   |             |   |   | 6 | 74   | 5905069.001 | Spring                     | 10                       | -    | -  | C | D |       |            |  |  |
| 26   |             | 4 |   |   | 37   | 5905124.001 | Adhesive Plate 12.7x12.7   | 1                        | -    | -  | C | D |       |            |  |  |
| 27   | 3           |   |   |   | 101  | 5905130.001 | Sealing Ring O-1/4-200     | 1                        | -    | B  | C | D |       |            |  |  |
| 28   |             |   |   | 6 | 66   | 5905249.001 | One-way Flow Control Valve | 1                        | A    | B  | C | D |       |            |  |  |
| 29   |             |   |   |   | 7    | 79          | 5905251.001                | Push-in/threaded Fitting | 1    | -  | - | - | -     |            |  |  |
| 30   |             |   |   | 6 | 65   | 5905252.001 | Push-in L-Connector        | 1                        | -    | -  | - | - |       |            |  |  |
| 31   |             | 4 |   |   | 30   | 5905257.001 | Silencer                   | 1                        | A    | B  | C | D |       |            |  |  |
| 32   |             |   |   | 6 | 46   | 5905283.001 | Push-in/threaded Fitting   | 1                        | -    | -  | - | - |       |            |  |  |
| 33   | 3           |   |   |   | 9    | 5905285.001 | Push-in L-Connector        | 1                        | -    | -  | - | - |       |            |  |  |
| 34   |             |   |   |   | 7    | 88          | 5905518.001                | Pipe Coupling            | 1    | -  | - | - | -     |            |  |  |
| 35   |             |   | 5 |   | 43   | 5905593.001 | Mounting Clip              | 1                        | -    | -  | - | - |       |            |  |  |
| 36   |             |   |   | 6 | 72   | 5905602.001 | Ring Magnet                | 1                        | -    | -  | - | - |       |            |  |  |
| 37   |             | 4 |   |   | 35   | 5905603.001 | Push-in Fitting            | 1                        | -    | -  | - | - |       |            |  |  |
| 38   |             |   |   |   | 7    | 80          | 5905640.001                | Push-in/threaded Fitting | 1    | -  | - | - | -     |            |  |  |
| 39   | 3           |   |   |   | 10   | 5905667.001 | Push-in/threaded Fitting   | 1                        | -    | -  | - | - |       |            |  |  |
| 40   |             |   |   | 6 | 57   | 5905780.001 | Foot                       | 1                        | -    | -  | - | - |       |            |  |  |
| 41   |             | 4 |   |   | 24   | 5905972.001 | Push-in Y-Fitting          | 1                        | -    | -  | - | - |       |            |  |  |
| 42   |             |   |   | 6 | 67.2 | 5905973.001 | Cylinder                   | 1                        | -    | -  | C | D | B     |            |  |  |
| 43   |             |   |   | 6 | 67.1 | 5905974.001 | Cylinder                   | 10                       | -    | -  | C | D | A     |            |  |  |
| 44   |             |   |   |   | 7    | 91          | 5906100.001                | Spring                   | 1    | -  | - | - | -     |            |  |  |
| 45   |             |   |   | 6 | 67.3 | 5906117.001 | Cylinder                   | 1                        | -    | -  | C | D | C     |            |  |  |
| 46   |             |   |   | 6 | 68   | 5906636.001 | One-way Flow Control Valve | 1                        | A    | B  | C | D |       |            |  |  |
| 47   |             | 4 |   |   | 29   | 5906844.001 | Vacuum Generator           | 1                        | -    | -  | - | - |       |            |  |  |
| 48   | 3           |   |   |   | 3    | 5906913.001 | Push-in L-Connector        | 1                        | -    | -  | - | - |       |            |  |  |
| 49   |             | 4 |   |   | 28   | 5906914.001 | Push-in L-Connector        | 1                        | -    | -  | - | - |       |            |  |  |
| 50   |             | 4 |   |   | 32   | 5906915.001 | Push-in T-Connector        | 1                        | -    | -  | - | - |       |            |  |  |
| 51   |             | 4 |   |   | 20   | 5907276.001 | Valve Block                | 1                        | -    | -  | C | D |       |            |  |  |
| 52   | 3           |   |   |   | 7    | 5907337.001 | Coupling Plug              | 1                        | -    | -  | - | - |       |            |  |  |

PU Package unit

Notes

A S1000-220

B S1000-300

C S1000-400

SPR Recommendation

A - wearing parts and accessories

B - recommended spare parts for quick repair

C - recommended spare parts for distributors

D - recommended spare parts for central stores



| Pos. | Figure/Page |   |   |   | No.  | Part No.    | Description          | PU | SPR |   |   |   | Notes | Serial No. |  |
|------|-------------|---|---|---|------|-------------|----------------------|----|-----|---|---|---|-------|------------|--|
|      |             |   |   |   |      |             |                      |    |     |   |   |   |       |            |  |
| 53   | 3           |   |   |   | 6    | 5907338.001 | Block Valve          | 1  | -   | - | C | D |       |            |  |
| 54   | 3           |   |   |   | 4    | 5907339.001 | Filter Regulator     | 1  | -   | - | C | D |       |            |  |
| 55   | 3           |   |   |   | 5    | 5907340.001 | Manometer            | 1  | -   | - | C | D |       |            |  |
| 56   |             | 4 |   |   | 21   | 5907428.001 | Magnetic Valve       | 1  | -   | B | C | D |       |            |  |
| 57   |             | 4 |   |   | 22   | 5907429.001 | Magnetic Valve       | 1  | -   | B | C | D |       |            |  |
| 58   |             |   |   | 7 | 89   | 5941017.001 | Bolt                 | 1  | -   | - | - | - |       |            |  |
| 59   |             |   | 5 |   | 39.2 | 5949033.001 | Energy Track         | 1  | -   | - | - | - | B     |            |  |
| 60   | 3           |   |   |   | 13   | 5949058.001 | Distance Bolt M3x7.5 | 1  | -   | - | - | - |       |            |  |
| 61   |             |   |   | 6 | 61   | 5949060.001 | Guiding              | 1  | -   | - | - | - |       |            |  |
| 62   |             |   |   | 6 | 49   | 5949062.001 | Adjusting Plate      | 1  | -   | - | - | - |       |            |  |
| 63   |             |   |   | 6 | 62   | 5949064.001 | Tamp Retainer        | 1  | -   | - | - | - |       |            |  |
| 64   |             |   |   | 6 | 58.2 | 5949065.001 | Rod                  | 1  | -   | - | - | - | B     |            |  |
| 65   |             |   |   | 7 | 83   | 5949071.001 | Suction Plate        | 1  | -   | - | - | - |       |            |  |
| 66   |             |   |   | 7 | 82   | 5949073.001 | Cover Plate          | 1  | -   | - | - | - |       |            |  |
| 67   |             |   |   | 7 | 84   | 5949074.001 | Sliding Foil         | 1  | -   | - | - | - |       |            |  |
| 68   |             |   |   | 6 | 60   | 5949079.001 | Sliding Foil         | 1  | -   | - | - | - |       |            |  |
| 69   |             |   |   | 6 | 55   | 5949088.001 | Stopper              | 1  | -   | - | - | - |       |            |  |
| 70   |             |   |   | 6 | 54   | 5949089.001 | Stopper              | 1  | -   | - | - | - |       |            |  |
| 71   |             |   |   | 7 | 100  | 5949098.001 | Piercing Pin         | 1  | -   | - | - | - |       |            |  |
| 72   |             |   |   | 6 | 54   | 5949101.001 | Blow Tube            | 1  | -   | - | - | - |       |            |  |
| 73   |             |   |   | 6 | 73   | 5949112.001 | Adapter Bolt         | 1  | -   | - | - | - |       |            |  |
| 74   |             |   |   | 6 | 71   | 5949113.001 | Bushing              | 1  | -   | - | - | - |       |            |  |
| 75   |             |   |   | 7 | 85   | 5949133.001 | Cover Plate          | 1  | -   | - | - | - |       |            |  |
| 76   |             |   |   | 7 | 86   | 5949134.001 | Suction Plate        | 1  | -   | - | - | - |       |            |  |
| 77   |             |   |   | 7 | 87   | 5949135.001 | Sliding Foil         | 1  | -   | - | - | - |       |            |  |
| 78   |             |   |   | 6 | 47   | 5949140.001 | Mounting Plate       | 1  | -   | - | - | - |       |            |  |
| 79   |             |   |   | 6 | 48   | 5949141.001 | Bracket              | 1  | -   | - | - | - |       |            |  |
| 80   | 3           |   |   |   | 12   | 5949144.001 | Center Pin           | 1  | -   | - | - | - |       |            |  |
| 81   |             |   |   | 6 | 50   | 5949145.001 | Blow Tube Retainer   | 1  | -   | - | - | - |       |            |  |
| 82   |             |   |   | 6 | 58.1 | 5949171.001 | Rod                  | 1  | -   | - | - | - | A     |            |  |
| 83   |             |   | 5 |   | 39.1 | 5949173.001 | Energy Track         | 1  | -   | - | - | - | A     |            |  |
| 84   |             |   |   | 6 | 58.3 | 5949237.001 | Rod                  | 1  | -   | - | - | - | C     |            |  |
| 85   |             |   |   | 5 | 39.3 | 5949239.001 | Energy Track         | 1  | -   | - | - | - | C     |            |  |
| 86   |             | 4 |   |   | 33   | 5949469.001 | Distance Bolt        | 1  | -   | - | - | - |       |            |  |
| 87   |             |   |   | 7 | 96   | 5950652.001 | Mounting Plate       | 1  | -   | - | - | - |       |            |  |
| 88   |             |   |   | 7 | 97   | 5950653.001 | Cover Plate          | 1  | -   | - | - | - |       |            |  |
| 89   |             |   |   | 7 | 98   | 5950654.001 | Suction Plate        | 1  | -   | - | - | - |       |            |  |
| 90   |             |   |   | 7 | 99   | 5950655.001 | Sliding Foil         | 1  | -   | - | - | - |       |            |  |
| 91   |             |   |   | 7 | 90   | 5950658.001 | Mounting Plate cpl.  | 1  | -   | - | - | - |       |            |  |
| 92   |             |   |   | 7 | 93   | 5950659.001 | Cover Plate          | 1  | -   | - | - | - |       |            |  |
| 93   |             |   |   | 7 | 94   | 5950660.001 | Suction Plate        | 1  | -   | - | - | - |       |            |  |
| 94   |             |   |   | 7 | 95   | 5950661.001 | Sliding Foil         | 1  | -   | - | - | - |       |            |  |
| 95   |             | 4 | 5 |   | 31   | 5966460.001 | Tube Ø4              | 1  | -   | B | C | D |       |            |  |
| 96   |             | 4 | 5 |   | 23   | 5966461.001 | Tube Ø6              | 2m | -   | B | C | D |       |            |  |
| 97   |             | 4 |   | 6 | 25   | 5966463.001 | Tube Ø4              | 2m | -   | B | C | D |       |            |  |
| 98   |             | 4 |   |   | 27   | 5966464.001 | Tube Ø6              | 2m | -   | B | C | D |       |            |  |
| 99   | 3           |   |   |   | 2    | 5966465.001 | Tube Ø8              | 2m | -   | B | C | D |       |            |  |
| 100  |             | 4 | 5 |   | 26   | 5966466.001 | Tube Ø4 DUO          | 2m | -   | B | C | D |       |            |  |
| 101  |             |   | 5 |   | 41.1 | 5976127.001 | Sensor               | 2m | -   | - | C | D | A     |            |  |
| 102  |             |   | 5 |   | 41.2 | 5976128.001 | Sensor               | 1  | -   | - | C | D | B     |            |  |
| 103  |             |   | 5 |   | 41.3 | 5976129.001 | Sensor               | 1  | -   | - | C | D | C     |            |  |
| 104  |             |   | 5 |   | 42.1 | 5976130.001 | Sensor               | 1  | -   | - | C | D | A     |            |  |

PU Package unit

Notes

A S1000-220

B S1000-300

C S1000-400

SPR Recommendation

A - wearing parts and accessories

B - recommended spare parts for quick repair

C - recommended spare parts for distributors

D - recommended spare parts for central stores

| Pos. | Figure/Page |  |   |  | No.  | Part No.    | Description   | PU | SPR |   |   |   | Notes | Serial No. |    |
|------|-------------|--|---|--|------|-------------|---------------|----|-----|---|---|---|-------|------------|----|
|      |             |  |   |  |      |             |               |    |     |   |   |   |       | from       | to |
| 105  |             |  | 5 |  | 42.2 | 5976131.001 | Sensor        | 1  | -   | - | C | D | B     |            |    |
| 106  |             |  | 5 |  | 42.3 | 5976132.001 | Sensor        | 1  | -   | - | C | D | C     |            |    |
| 107  | 3           |  |   |  | 17   | 5978945.001 | Knurled Screw | 1  | -   | - | - | - |       |            |    |
| 108  | 3           |  |   |  | 11   | 5978948.001 | Frame         | 1  | -   | - | - | - |       |            |    |
| 109  | 3           |  |   |  | 18   | 5978950.001 | Cover         | 1  | -   | - | - | - |       |            |    |
| 110  | 3           |  |   |  | 15   | 5978993.001 | EEPROM        | 1  | -   | - | - | - |       |            |    |
| 111  | 3           |  |   |  | 14   | 5978994.001 | PCB Control   | 1  | -   | - | C | D |       |            |    |
| 112  | 3           |  |   |  | 1    | 5979024.001 | Service Unit  |    | -   | - | C | D |       |            |    |

## 7 Packaging

| Pos. | Figure/Page |  |  |  | No. | Part No.    | Description | PU | SPR |   |   |   | Notes | Serial No. |    |
|------|-------------|--|--|--|-----|-------------|-------------|----|-----|---|---|---|-------|------------|----|
|      |             |  |  |  |     |             |             |    |     |   |   |   |       | from       | to |
| 113  |             |  |  |  |     | 9109176.001 | Packaging   |    | -   | - | - | - |       |            |    |