

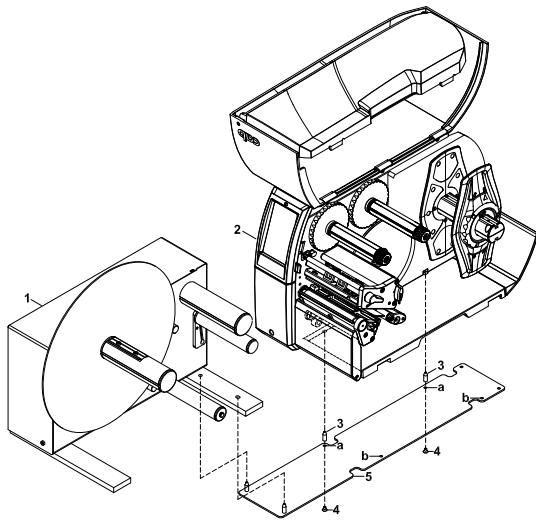
Mounting Instructions

Adapter Kit SQUIX (Part No. 5978943)

Edition: 10/2017 - Part -No. 9003110

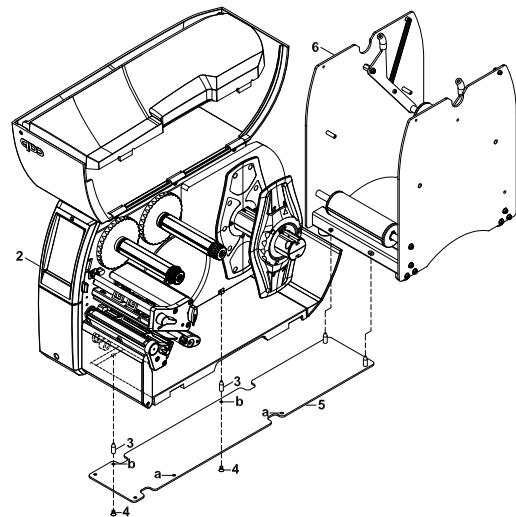
Contents of delivery:	5978939	Adapter plate 1	1 unit
	5978942	Adapter plate 2	1 unit
	5948176	Pin M4	2 units
	5902304	Screw DIN7991 M4x6	4 units

Mounting the Rewinder



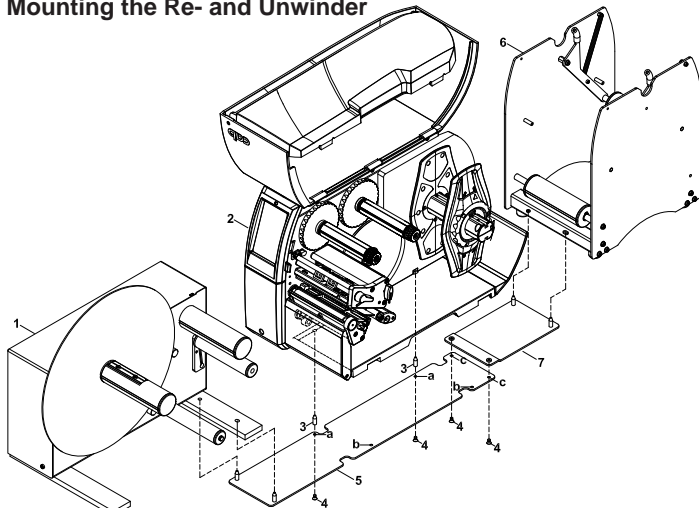
1. Attach the pins (3) with two screws (4) to the holes (a) of the adapter plate 1 (5).
2. Place the printer (2) and the rewriter (1) on the pins of the adapter plate 1 (5) as illustrated.

Mounting the Unwinder



1. Attach the pins (3) to the adapter plate 1 (5) via the two provided screws.
2. Place the printer (2) and the unwinder (6) on the pins of the adapter plate 1 (5) as illustrated.

Mounting the Re- and Unwinder



1. Attach the pins (3) to the adapter plate 1 (5) with the two provided screws (4).
2. Attach adapter plate 2 (7) to the adapter plate 1 (5) with the provided screws (4).
3. Place the printer (2) and the rewriter (1) on the pins of the adapter plate 1 (5) as illustrated.
4. Place the unwinder (6) on the pins of the adapter plate 2 (7) as illustrated.

Germany

cab Produkttechnik
GmbH & Co KG
Postfach 1904
D-76007 Karlsruhe
Wilhelm-Schickard-Str. 14
D-76131 Karlsruhe
Telefon +49 721 6626-0
Telefax +49 721 6626-249
www.cab.de
info@cab.de

France

cab technologies s.a.r.l.
F-67350 Niedermodern
Téléphone +33 388 722 501
www.cab.de
info@cab-technologies.fr

USA

cab Technology Inc.
Tyngsboro MA, 01879
Phone +1 978 649 0293
www.cabtechn.com
info@cabtechn.com

South Afrika

cab Technology (Pty.) Ltd.
2125 Randburg
Phone +27 11-886-3580
www.cab.de
info@cabtechn.co.za

Asia 亞洲分公司

希愛比科技股份有限公司
cab Technology Co., Ltd.
台灣台北縣中和市中正路 700 號 9F-8
Junghe 23552, Taipei, Taiwan
電話 Phone +886 2 8227 3966
網址 www.cabasia.net
詢問 cabasia@cab.de

China 中国

锐博(上海)贸易有限公司
cab (Shanghai) Trading Co., Ltd
上海市延安西路2299号11C60室
电话 Phone +86 21 6236-3161
询问 cabasia@cab.de

Representatives in other countries on request.