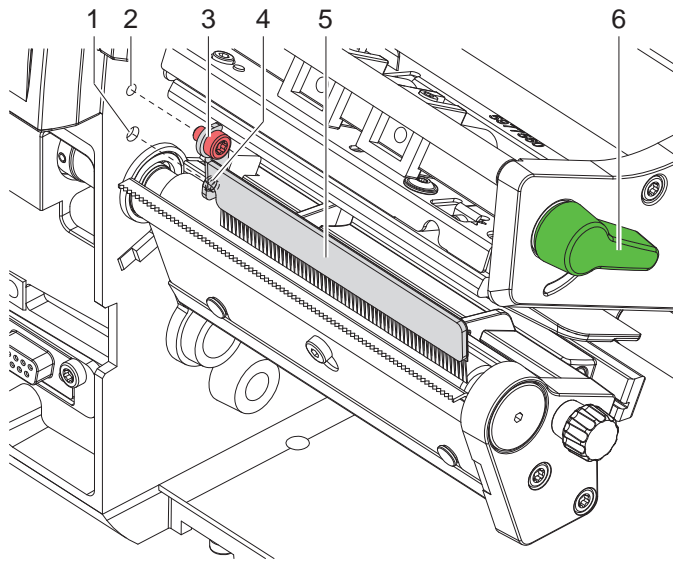


Assembly Instructions

Antistatic Brush (Part No. 5977339 / 5977797)

Edition: 06/2020 · Part No. 9003034



Function

The antistatic brush neutralizes the buildup of excess static electricity from the printer, mainly the printhead area.

Installation

- ▶ Turn lever (6) counterclockwise to open the printhead.
- ▶ Fasten the antistatic brush (5) to the printer with the screw (3) via the threaded hole (2). Ensure that the embossing (4) snaps into its counterpart (1) when tightening the screw.
- ▶ Close the printhead.

Contents of delivery

- Anti-static brush
- Screw DIN7984-M4x6

Germany
cab Produkttechnik GmbH & Co KG
Karlsruhe
Phone +49 721 6626 0
www.cab.de

USA
cab Technology, Inc.
Chelmsford, MA
Phone +1 978 250 8321
www.cab.de/us

Taiwan
cab Technology Co., Ltd.
Taipei
Phone +886 (02) 8227 3966
www.cab.de/tw

China
cab (Shanghai) Trading Co., Ltd.
Guangzhou
Phone +86 (020) 2831 7358
www.cab.de/cn

France
cab Technologies S.à.r.l.
Niedermodern
Phone +33 388 722501
www.cab.de/fr

Mexico
cab Technology, Inc.
Juárez
Phone +52 656 682 4301
www.cab.de/es

China
cab (Shanghai) Trading Co., Ltd.
Shanghai
Phone +86 (021) 6236 3161
www.cab.de/cn

South Africa
cab Technology (Pty) Ltd.
Randburg
Phone +27 11 886 3580
www.cab.de/za