

Spare Parts List



Stacker with Cutter

ST400

Made in Germany

2 Spare Parts List for the following products

2

Part No.	Description	Type
5978902	Stacker with Cutter	ST400

Edition: 10/2018 - Part No. 9003006

Copyright

This documentation as well as translation hereof are property of cab Produkttechnik GmbH & Co. KG.

The replication, conversion, duplication or divulgement of the whole manual or parts of it for other intentions than its original intended purpose - in particular the procurement of spare parts for products sold by cab – demand the previous written authorisation by cab.

Editor

Regarding questions or comments please contact cab Produkttechnik GmbH & Co. KG.

Topicality

Due to the constant further development of our products discrepancies between documentation and product can occur. Please check www.cab.de for the latest update.

Terms and conditions

Deliveries and performances are effected under the “General conditions of sale of cab”

Germany
cab Produkttechnik GmbH & Co KG
Karlsruhe
Phone +49 721 6626 0
www.cab.de

USA
cab Technology, Inc.
Chelmsford, MA
Phone +1 978 250 8321
www.cab.de/us

Taiwan
cab Technology Co., Ltd.
Taipei
Phone +886 (02) 8227 3966
www.cab.de/tw

China
cab (Shanghai) Trading Co., Ltd.
Guangzhou
Phone +86 (020) 2831 7358
www.cab.de/cn

France
cab Technologies S.à.r.l.
Niedermodern
Phone +33 388 722501
www.cab.de/fr

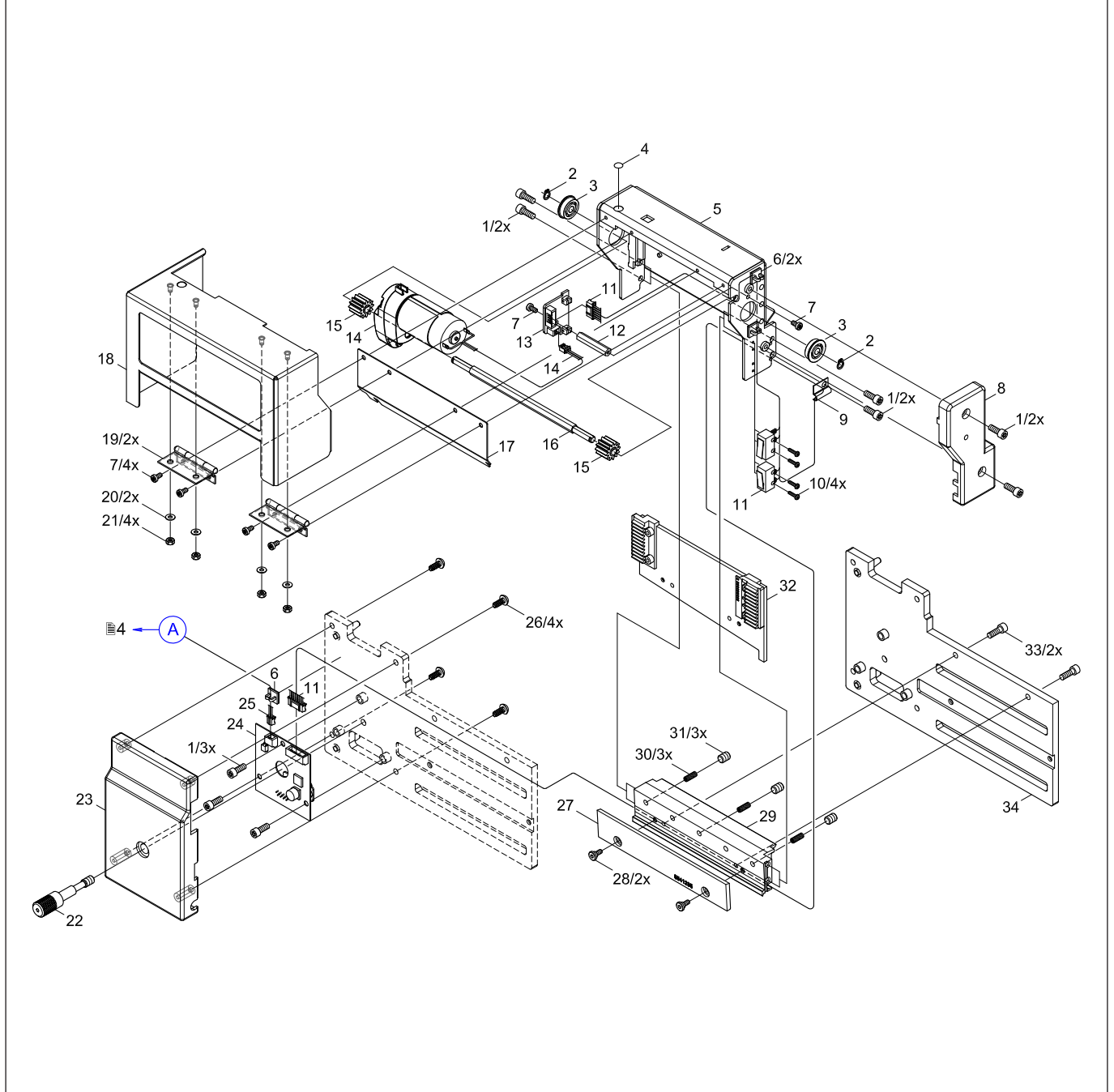
Mexico
cab Technology, Inc.
Juárez
Phone +52 656 682 4301
www.cab.de/es

China
cab (Shanghai) Trading Co., Ltd.
Shanghai
Phone +86 (021) 6236 3161
www.cab.de/cn

South Africa
cab Technology (Pty) Ltd.
Randburg
Phone +27 11 886 3580
www.cab.de/za

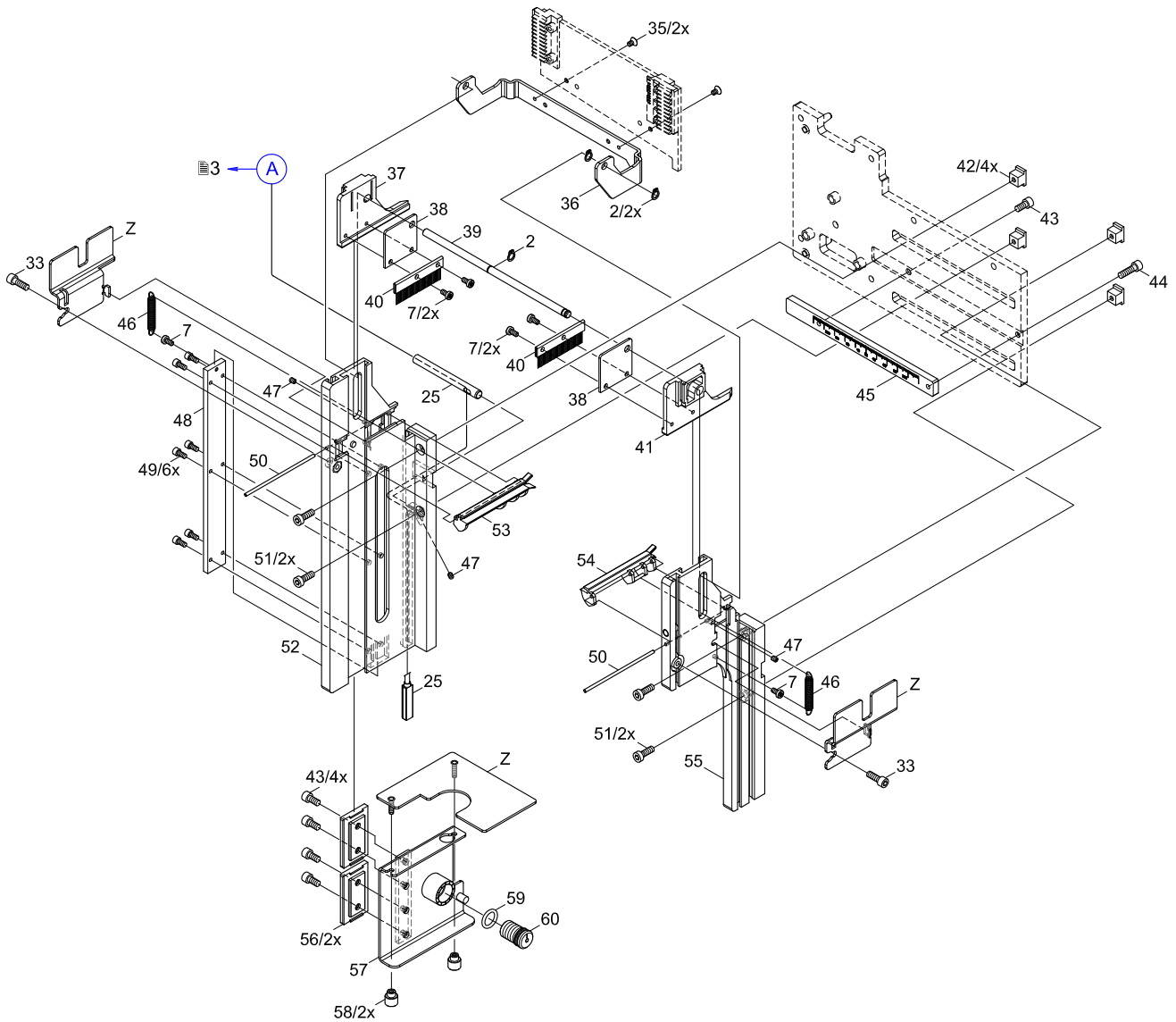
No	Part No.	Description	PU	Note	Serial No.	
					from	to
1	5902837.001	Screw DIN7984-M4x8	10			
2	5903541.001	Snap Ring DIN471-5x0.6	10			
3	5901120.001	Ball Bearing DIN625-F625-ZZ	1			
4	5905210.001	Foot	5			
5	5541342.001	Chassis	1			
6	5901575.001	Cable Clamp	10			
7	5902838.001	Screw DIN7984-M3x6	10			
8	5541594.001	Cover	1			
9	5541582.001	Cable Clamp	1			
10	5902072.001	Screw DIN7985-M2x8	10			
11	5541555.001	Cable Sensors	1			
12	5900083.001	Distance Bolt M3x30	1			
13	5541317.001	PCB Sensors	1			
14	5541187.001	Gear Motor	1			
15	5541267.001	Gear Wheel Z12	1			
16	5541266.001	Shaft	1			
17	5541337.001	Cover	1			

No	Part No.	Description	PU	Note	Serial No.	
					from	to
18	5541592.001	Cover	1			
19	5541385.001	Hinge	1			
20	5903004.001	Washer DIN125-A3.2	10			
21	5902505.001	Nut DIN934-M3	10			
22	5541590.001	Thumbscrew	1			
23	5541591.001	Cover	1			
24	5541586.001	PCB Cutter Electronics	1			
25	5541347.001	Sensor	1			
26	5902816.001	Screw EJOT-PT K40x10	10			
27	5541235.001	Blade	1			
28	5541338.001	Screw	1			
29	5541339.001	Blade Support	1			
30	5906167.001	Spring	10			
31	5904524.001	Set Screw DIN913 M6x8	10			
32	5541392.001	Blade	1			
33	5902489.001	Screw DIN7984-M4x8	10			
34	5541588.001	Base Plate	1			

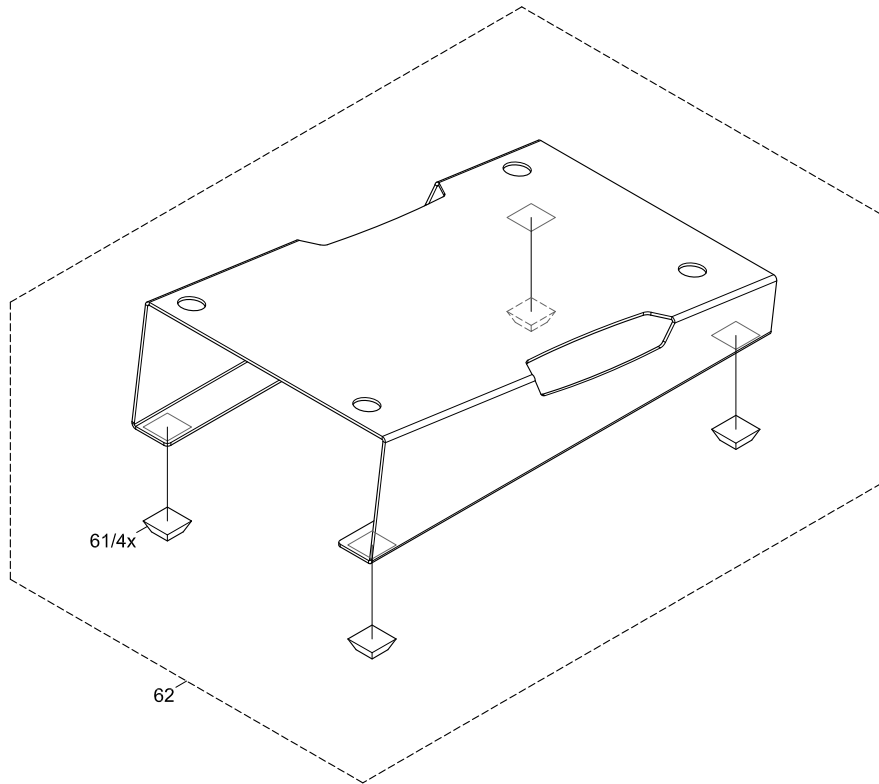


No	Part No.	Description	PU	Note	Serial No.	
					from	to
2	5903541.001	Snap Ring DIN471-5x0,6	10			
7	5902838.001	Screw DIN7984 M3x6	10			
25	5541347.001	Sensor	1			
33	5902489.001	Screw DIN7984-M4x8	10			
35	5902047.001	Screw DIN7991-M3x5	10			
36	5541335.001	Bracket	1			
37	5541240.001	Piston	1			
38	5541242.001	Plate	1			
39	5541251.001	Axle	1			
40	5541243.001	Antistatic Brush	1			
41	5541241.001	Piston	1			
42	5541370.001	Slot Nut	1			
43	5902571.001	Screw DIN7984-M4x6	10			
44	5902565.001	Screw DIN7984-M4x10	10			
45	5541595.001	Scale	1			
46	5905093.001	Spring	10			

No	Part No.	Description	PU	Note	Serial No.		
					from	to	
47	5904528.001	Set Screw DIN913-M3x4	10				
48	5541576.001	Strip	1				
49	5902168.001	Screw DIN912-M3x5	10				
50	5541291.001	Axle	1				
51	5902459.001	Screw DIN7984-M4x12	10				
52	5541394.001	Side Plate	1				
53	5541292.001	Swing	1				
54	5541348.001	Swing	1				
55	5541265.001	Side Plate	1				
56	5541580.001	Sliding Carriage	1				
57	5541263.001	Support	1				
58	5541278.001	Thumbscrew	1				
59	5905449.001	O-Ring 10x2	10				
60	5541572.001	Magnetic Clamp	1				
Z	Part No. to be found on the customer-specific part						



No	Part No.	Description	PU	Note	Serial No.	
					from	to
61	5905652.001	Foot	5			
62	5978937.001	Base Frame	1			



Pos.	Figure/Page		No.	Part No.	Description	PU	SPR				Notes	Serial No.	
												from	to
1	3		14	5541187.001	Gear Motor	1	-	-	C	D			
2	3		27	5541235.001	Blade	1	A	B	C	D			
3		4	37	5541240.001	Piston	1	-	-	-	-			
4		4	41	5541241.001	Piston	1	-	-	-	-			
5		4	38	5541242.001	Plate	1	-	-	-	-			
6		4	40	5541243.001	Antistatic Brush	1	-	-	-	-			
7		4	39	5541251.001	Axle	1	-	-	-	-			
8		4	57	5541263.001	Support	1	-	-	-	-			
9		4	55	5541265.001	Side Plate	1	-	-	-	-			
10	3		16	5541266.001	Shaft	1	-	-	-	-			
11	3		15	5541267.001	Gear Wheel Z12	1	-	-	-	-			
12		4	58	5541278.001	Thumbscrew	1	-	-	-	-			
13		4	50	5541291.001	Axle	1	-	-	-	-			
14		4	53	5541292.001	Swing	1	-	-	-	-			
15	3		13	5541317.001	PCB Sensors	1	-	B	C	D			
16		4	36	5541335.001	Bracket	1	-	-	-	-			
17	3		17	5541337.001	Cover	1	-	-	-	-			
18	3		28	5541338.001	Screw	1	-	-	-	-			
19	3		29	5541339.001	Blade Support	1	-	-	-	-			
20	3		5	5541342.001	Chassis	1	-	-	-	-			
21	3	4	25	5541347.001	Sensor	1	-	B	C	D			
22		4	54	5541348.001	Swing	1	-	-	-	-			
23		4	42	5541370.001	Slot Nut	1	-	-	-	-			
24	3		19	5541385.001	Hinge	1	-	-	-	-			
25	3		32	5541392.001	Blade	1	A	B	C	D			
26		4	52	5541394.001	Side Plate	1	-	-	-	-			
27	3		11	5541555.001	Cable Sensors	1	-	-	-	-			
28		4	60	5541572.001	Magnetic Clamp	1	-	-	-	-			
29		4	48	5541576.001	Strip	1	-	-	-	-			
30		4	56	5541580.001	Sliding Carriage	1	-	-	-	-			
31	3		9	5541582.001	Cable Clamp	1	-	-	-	-			
32	3		24	5541586.001	PCB Cutter Electronics	1	-	B	C	D			
33	3		34	5541588.001	Base Plate	1	-	-	-	-			
34	3		22	5541590.001	Knurled Screw	1	-	-	-	-			
35	3		23	5541591.001	Cover	1	-	-	-	-			
36	3		18	5541592.001	Cover	1	-	-	-	-			
37	3		8	5541594.001	Cover	1	-	-	-	-			
38		4	45	5541595.001	Scale	1	-	-	-	-			
39	3		12	5900083.001	Distance Bolt M3x30	1	-	-	-	-			
40	3		3	5901120.001	Ball Bearing DIN625-F625-ZZ	1	-	-	-	-			
41	3		6	5901575.001	Cable Clamp	10	-	-	-	-			
42		4	35	5902047.001	Screw DIN7991-M3x5	10	-	-	-	-			
43	3		10	5902072.001	Screw DIN7985-M2x8	10	-	-	-	-			
44		4	49	5902168.001	Screw DIN912-M3x5	10	-	-	-	-			
45		4	51	5902459.001	Screw DIN7984-M4x12	10	-	-	-	-			
46	3	4	33	5902489.001	Screw DIN7984-M4x8	10	-	-	-	-			
47	3		21	5902505.001	Nut DIN934-M3	10	-	-	-	-			
48		4	44	5902565.001	Screw DIN7984-M4x10	10	-	-	-	-			
49		4	43	5902571.001	Screw DIN7984-M4x6	10	-	-	-	-			
50	3		26	5902816.001	Screw EJOT-PT-K40x10	10	-	-	-	-			
51	3		1	5902837.001	Screw DIN7984-M4x8	10	-	-	-	-			
52	3	4	7	5902838.001	Screw DIN7984 M3x6	10	-	-	-	-			
53	3		20	5903004.001	Washer DIN125-A3.2	10	-	-	-	-			
54	3	4	2	5903541.001	Snap Ring DIN471-5x0,6	10	-	-	-	-			
55	3		31	5904524.001	Set Screw DIN913-M6x8	10	-	-	-	-			
56		4	47	5904528.001	Set Screw DIN913-M3x4	10	-	-	-	-			
57		4	46	5905093.001	Spring	10	-	-	C	D			
58	3		4	5905210.001	Foot	5	-	-	-	-			
59		4	59	5905449.001	O-Ring 10x2	10	-	-	-	-			
60			5	61	5905652.001	Foot	1	-	-	-	-		
61	3		30	5906167.001	Spring	10	-	-	C	D			
62			5	62	5978937.001	Base Frame	1	-	-	-	-		
63			-	9109370.001	Packaging	1	-	-	-	-			

PU Package unit

SPR Recommendation

A - wearing parts and accessories

B - recommended spare parts for quick repair

C - recommended spare parts for distributors

D - recommended spare parts for central stores