

Spare Parts List



Perforation Cutter

PCU400

Made in Germany

2 Spare Parts List for the following products

2

Part No.	Description	Type
5978901	Perforation Cutter	PCU400/2,5
5978920	Perforation Cutter	PCU400/10

Edition: 02/2017 - Part No. 9003004

Copyright

This documentation as well as translation hereof are property of cab Produkttechnik GmbH & Co. KG.
The replication, conversion, duplication or divulgement of the whole manual or parts of it for other intentions than its original intended purpose - in particular the procurement of spare parts for products sold by cab – demand the previous written authorisation by cab.

Editor

Regarding questions or comments please contact cab Produkttechnik GmbH & Co. KG.

Topicality

Due to the constant further development of our products discrepancies between documentation and product can occur.
Please check www.cab.de for the latest update.

Terms and conditions

Deliveries and performances are effected under the "General conditions of sale of cab"

Germany

cab Produkttechnik
GmbH & Co KG
Postfach 1904
D-76007 Karlsruhe
Wilhelm-Schickard-Str. 14
D-76131 Karlsruhe
Telefon +49 721 6626-0
Telefax +49 721 6626-249
www.cab.de
info@cab.de

France

cab technologies s.a.r.l.
F-67350 Niedermodern
Téléphone +33 388 722 501
www.cab.de/fr
info.fr@cab.de

USA

cab Technology Inc.
Tyngsboro MA, 01879
Phone +1 978 649 0293
www.cab.de/us
info.us@cab.de

South Africa

cab Technology (Pty.) Ltd.
2125 Randburg
Phone +27 11-886-3580
www.cab.de/za
info.za@cab.de

Asia 亚洲

cab Technology Co., Ltd.
希愛比科技股份有限公司
Junghe, Taipei, Taiwan
Phone +886 2 8227 3966
www.cab.de/tw
info.asia@cab.de

China 中国

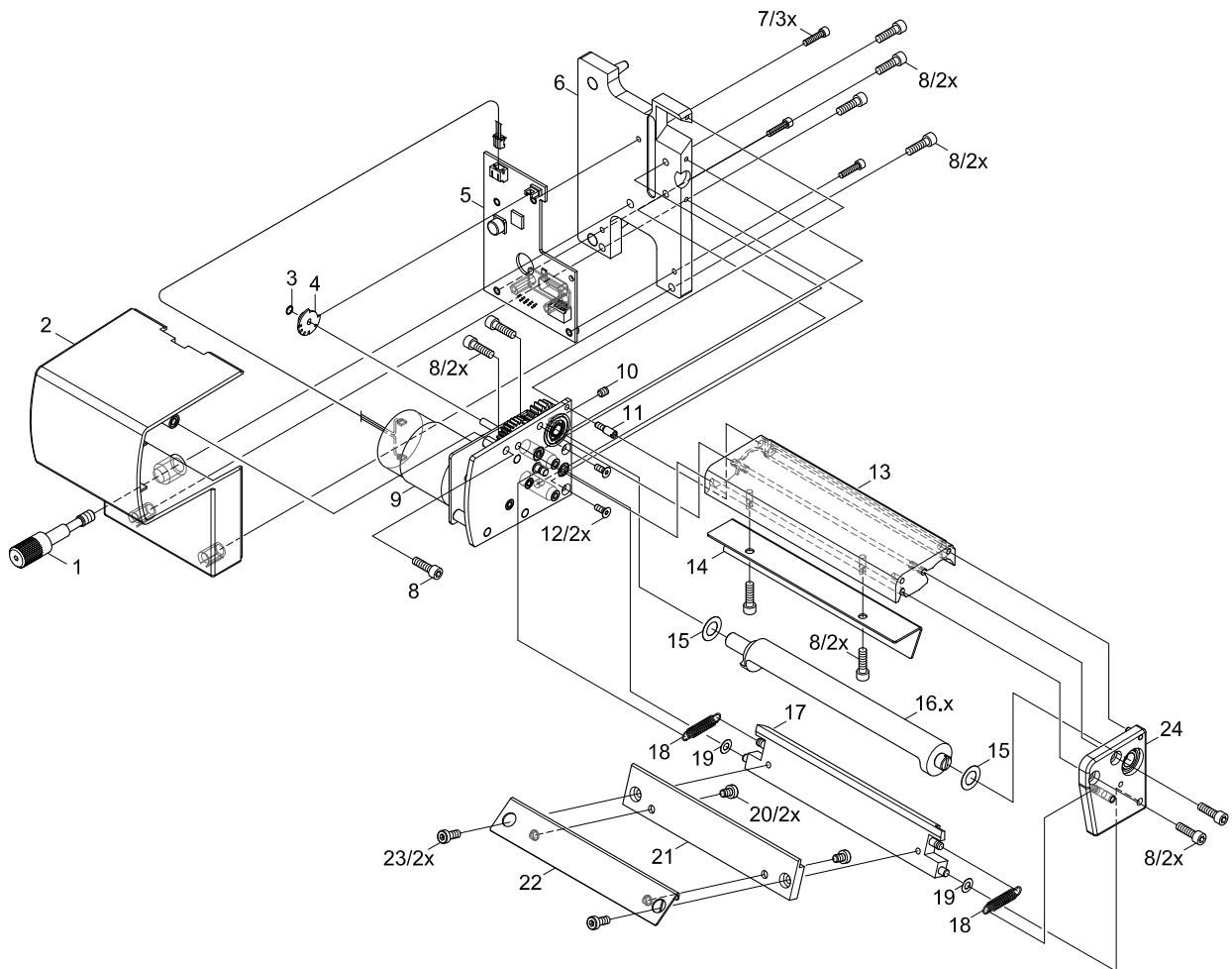
cab (Shanghai) Trading Co., Ltd.
铠博(上海)贸易有限公司
Phone +86 21 6236-3161
www.cab.de/cn
info.cn@cab.de

Representatives in other countries on request

No	Part No.	Description	PU	Note	Serial No.	
					from	to
1	5541590.001	Knurled Screw	1			
2	5948308.001	Cover	1			
3	5903523.001	Snap Ring G4	10			
4	5949922.001	Clock Wheel	1			
5	5960057.001	PCB Cutter Electronics	1			
6	5948306.001	Mounting Plate	1			
7	5902010.001	Screw DIN912-M3x10	10			
8	5902241.001	Screw DIN7984-M4x10	10			
9	5948362.001	Drive	1			
10	5904513.001	Set Screw DIN913-M4x5	10			
11	5948368.001	Set Screw	1			
12	5902336.001	Screw DIN7991-M3x10	10			
13	5960017.001	Support	1			

No	Part No.	Description	PU	Note	Serial No.	
					from	to
14	5948343.001	Cover Plate	1			
15	5903038.001	Washer DIN988-8x14x0.2	10			
16.1	5960039.001	Circular Blade	1	a		
16.2	5960044.001	Circular Blade	1	b		
17	5960022.001	Linear Blade	1			
18	5948397.001	Spring	1			
19	5903051.001	Washer DIN988-4x8x0.2	10			
20	5902358.001	Screw DIN7984-M4x6	10			
21	5960029.001	Support	1			
22	5948353.001	Cover Plate	1			
23	5902483.001	Screw DIN6912-M4x10	10			
24	5960027.001	Bearing Plate	1			
-	5943067.001	Packaging	1			

Notes	a	PCU400/2,5
	b	PCU400/10



Pos.	Figure/Page	Nr.	Part No.	Description	PU	SPR				Notes	Serial No.	
											from	to
1	3	1	5541590.001	Knurled Screw	1							
2	3	7	5902010.001	Screw DIN912-M3x10	10							
3	3	8	5902241.001	Screw DIN7984-M4x10	10							
4	3	12	5902336.001	Screw DIN7991-M3x10	10							
5	3	20	5902358.001	Screw DIN7984-M4x6	10							
6	3	23	5902483.001	Screw DIN6912-M4x10	10							
7	3	15	5903038.001	Washer DIN988-8x14x0.2	10							
8	3	19	5903051.001	Washer DIN988-4x8x0.2	10							
9	3	3	5903523.001	Snap Ring G4	10							
10	3	10	5904513.001	Set Screw DIN913-M4x5	10							
11	3	6	5948306.001	Mounting Plate	1							
12	3	2	5948308.001	Cover	1							
13	3	14	5948343.001	Cover Plate	1							
14	3	22	5948353.001	Cover Plate	1							
15	3	9	5948362.001	Drive	1				D			
16	3	11	5948368.001	Set Screw	1							
17	3	18	5948397.001	Spring	1							
18	3	4	5949922.001	Clock Wheel	1							
19	3	13	5960017.001	Support	1							
20	3	17	5960022.001	Linear Blade	1	A	B	C	D			
21	3	24	5960027.001	Bearing Plate	1							
22	3	21	5960029.001	Support	1							
23	3	16.1	5960039.001	Circular Blade	1	A	B	C	D	a		
24	3	16.2	5960044.001	Circular Blade	1	A	B	C	D	b		
25	3	5	5960057.001	PCB Cutter Electronics	1			C	D			

3 Packaging/Accessories

Pos.	Figure/Page	Nr.	Part No.	Description	PU	SPR				Notes	Serial No.	
											from	to
26	-	-	5943067.001	Packaging	1							

PU Package unit

Notes

a PCU400/2,5

b PCU400/10

SPR Recommendation

A - wearing parts and accessories

B - recommended spare parts for quick repair

C - recommended spare parts for distributors

D - recommended spare parts for central stores