

Spare Parts List



Cutter

CU200 / CU400 / CU600 / CU800

2 Spare Parts List for the following products

2

Part No.	Description	Type
5979032	Cutter	CU200
5978900	Cutter	CU400
5979033	Cutter	CU600
5984100	Cutter	CU800

Edition: 09/2022 - Part No. 9003002

Copyright

This documentation as well as translation hereof are property of cab Produkttechnik GmbH & Co. KG.

The replication, conversion, duplication or divulgement of the whole manual or parts of it for other intentions than its original intended purpose - in particular the procurement of spare parts for products sold by cab – demand the previous written authorization by cab.

Editor

Regarding questions or comments please contact cab Produkttechnik GmbH & Co. KG.

Topicality

Due to the constant further development of our products discrepancies between documentation and product can occur.

Please check www.cab.de for the latest update.

Terms and conditions

Deliveries and performances are effected under the "General conditions of sale of cab"

Germany
cab Produkttechnik GmbH & Co KG
Karlsruhe
Phone +49 721 6626 0
www.cab.de

USA
cab Technology, Inc.
Chelmsford, MA
Phone +1 978 250 8321
www.cab.de/us

Taiwan
cab Technology Co., Ltd.
Taipei
Phone +886 (02) 8227 3966
www.cab.de/tw

Singapore
cab Singapore Pte. Ltd.
Singapore
Phone +65 6931 9099
www.cab.de/en

France
cab Technologies S.à.r.l.
Niedermodern
Phone +33 388 722501
www.cab.de/fr

Mexico
cab Technology, Inc.
Juárez
Phone +52 656 682 4301
www.cab.de/es

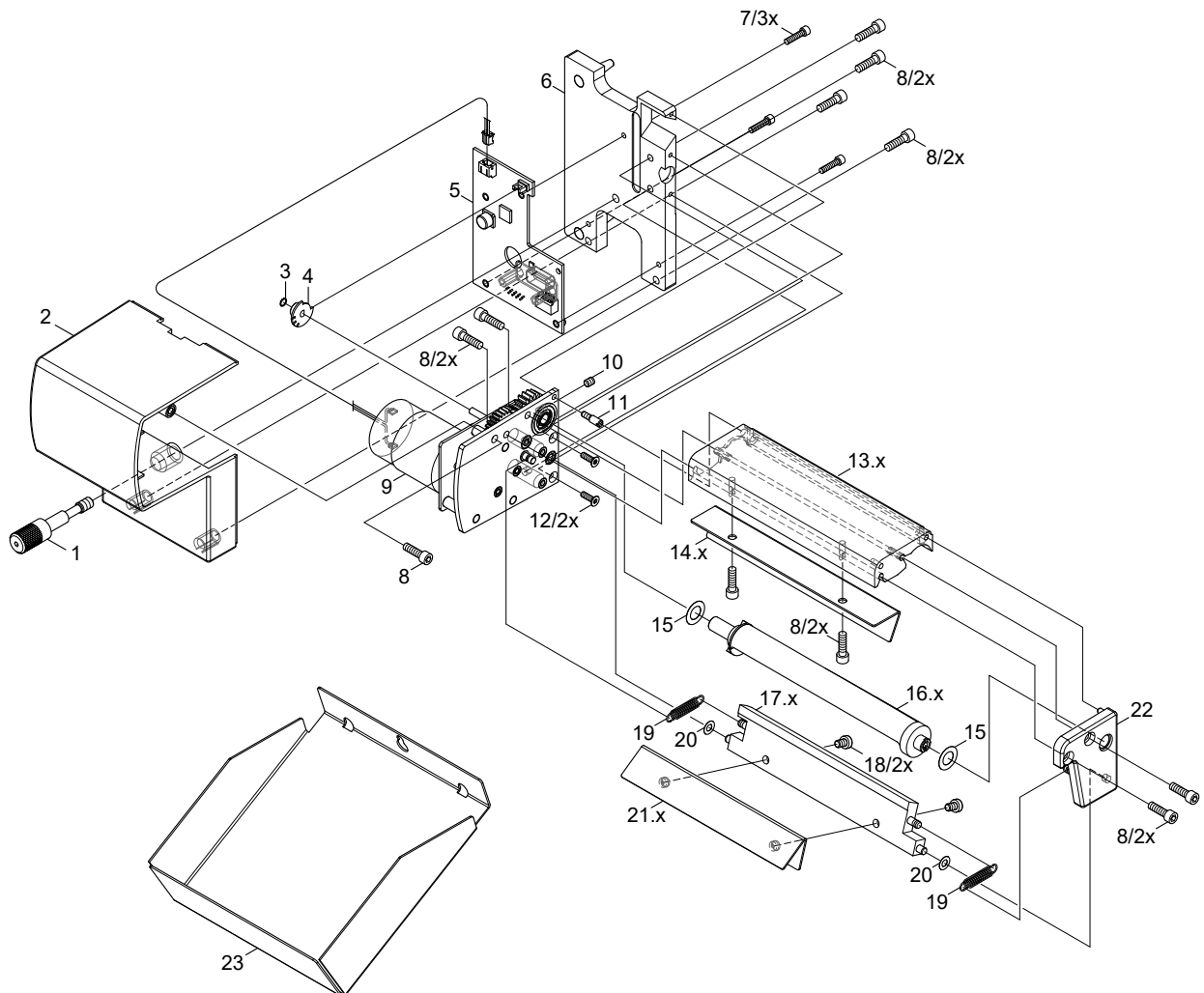
China
cab (Shanghai) Trading Co., Ltd.
Shanghai
Phone +86 (021) 6236 3161
www.cab.de/cn

South Africa
cab Technology (Pty) Ltd.
Randburg
Phone +27 11 886 3580
www.cab.de/za

No	Part No.	Description	PU	Note	Serial No.	
					from	to
1	5541590.001	Knurled Screw	1			
2	5948308.001	Cover	1			
3	5903523.001	Snap Ring G4	10			
4	5948334.001	Clock Wheel	1			
5	5960056.001	PCB Cutter Electronics	1			
6	5948306.001	Mounting Plate	1			
7	5902010.001	Screw DIN912-M3x10	10			
8	5902241.001	Screw DIN7984-M4x10	10			
9	5948362.001	Drive	1			
10	5904513.001	Set Screw DIN913-M4x5	10			
11	5948368.001	Set Screw	1			
12	5902953.001	Screw DIN7991-M3x10	10			
13.1	5948025.001	Support	1	2		
13.2	5960017.001	Support	1	4		
13.3	5948328.001	Support	1	6		
13.4	5948332.001	Support	1	8		
14.1	5948350.001	Cover Plate	1	2		
14.2	5948343.001	Cover Plate	1	4		
14.3	5948345.001	Cover Plate	1	6		
14.4	5948347.001	Cover Plate	1	8		
15	5903038.001	Washer DIN988-8x14x0.2	10			

No	Part No.	Description	PU	Note	Serial No.	
					from	to
16.1	5948026.001	Circular Blade	1	2		
16.2	5948317.001	Circular Blade	1	4		
16.3	5948329.001	Circular Blade	1	6		
16.4	5948333.001	Circular Blade	1	8		
17.1	5948024.001	Linear Blade	1	2		
17.2	5948315.001	Linear Blade	1	4		
17.3	5948327.001	Linear Blade	1	6		
17.4	5948331.001	Linear Blade	1	8		
18	5902358.001	Screw DIN7984-M4x6	10			
19	5905008.001	Spring	5			
20	5903051.001	Washer DIN988-4x8x0,2	10			
21.1	5948352.001	Cover Plate	1	2		
21.2	5948342.001	Cover Plate	1	4		
21.3	5948346.001	Cover Plate	1	6		
21.4	5948349.001	Cover Plate	1	8		
22	5948321.001	Bearing Plate	1			
23	5977597.001	Tray	1	4		
-	5943067.001	Packaging	1	2,4		
-	9109144.001	Packaging	1	6		
-	9109145.001	Packaging	1	8		

Notes	2	CU200
	4	CU400
	6	CU600
	8	CU800



Pos.	Figure/Page	Nr.	Part No.	Description	PU	SPR				Notes	Serial No.	
											from	to
1	3	1	5541590.001	Knurled Screw	1	-	-	-	-			
2	3	7	5902010.001	Screw DIN912-M3x10	10	-	-	-	-			
3	3	8	5902241.001	Screw DIN7984-M4x10	10	-	-	-	-			
4	3	18	5902358.001	Screw DIN7984-M4x6	10	-	-	-	-			
5	3	12	5902953.001	Screw DIN7991-M3x10	10	-	-	-	-			
6	3	15	5903038.001	Washer DIN988-8x14x0.2	10	-	-	-	-			
7	3	20	5903051.001	Washer DIN988-4x8x0.2	10	-	-	-	-			
8	3	3	5903523.001	Snap Ring G4	10	-	-	-	-			
9	3	10	5904513.001	Set Screw DIN913-M4x5	10	-	-	-	-			
10	3	19	5905008.001	Spring	5	-	-	-	-			
11	3	17.1	5948024.001	Linear Blade	1	A	B	C	D	2		
12	3	13.1	5948025.001	Support	1	-	-	-	-	2		
13	3	16.1	5948026.001	Circular Blade	1	A	B	C	D	2		
14	3	6	5948306.001	Mounting Plate	1	-	-	-	-			
15	3	2	5948308.001	Cover	1	-	-	-	-			
16	3	17.2	5948315.001	Linear Blade	1	A	B	C	D	4		
17	3	16.2	5948317.001	Circular Blade	1	A	B	C	D	4		
18	3	22	5948321.001	Bearing Plate	1	-	-	-	-			
19	3	17.3	5948327.001	Linear Blade	1	A	B	C	D	6		
20	3	13.3	5948328.001	Support	1	-	-	-	-	6		
21	3	16.3	5948329.001	Circular Blade	1	A	B	C	D	6		
22	3	17.4	5948331.001	Linear Blade	1	A	B	C	D	8		
23	3	13.4	5948332.001	Support	1	-	-	-	-	8		
24	3	16.4	5948333.001	Circular Blade	1	A	B	C	D	8		
25	3	4	5948334.001	Clock Wheel	1	-	-	-	-			
26	3	21.2	5948342.001	Cover Plate	1	-	-	-	-	4		
27	3	14.2	5948343.001	Cover Plate	1	-	-	-	-	4		
28	3	14.3	5948345.001	Cover Plate	1	-	-	-	-	6		
29	3	21.3	5948346.001	Cover Plate	1	-	-	-	-	6		
30	3	14.4	5948347.001	Cover Plate	1	-	-	-	-	8		
31	3	21.4	5948349.001	Cover Plate	1	-	-	-	-	8		
32	3	14.1	5948350.001	Cover Plate	1	-	-	-	-	2		
33	3	21.1	5948352.001	Cover Plate	1	-	-	-	-	2		
34	3	9	5948362.001	Drive	1	-	-	-	D			
35	3	11	5948368.001	Set Screw	1	-	-	-	-			
36	3	13.2	5960017.001	Support	1	-	-	-	-	4		
37	3	5	5960056.001	PCB Cutter Electronics	1	-	-	C	D			
38	3	23	5977597.001	Tray	1	-	-	-	-	4		

3 Packaging/Accessories

Pos.	Figure/Page	Nr.	Part No.	Description	PU	SPR				Notes	Serial No.	
											from	to
39	-	-	5943067.001	Packaging	1	-	-	-	-	2,4		
40	-	-	9109144.001	Packaging	1	-	-	-	-	6		
41	-	-	9109145.001	Packaging	1	-	-	-	-	8		

PU Package unit

SPR Recommendation

A - wearing parts and accessories

B - recommended spare parts for quick repair

C - recommended spare parts for distributors

D - recommended spare parts for central stores

Notes 2 CU200

4 CU400

6 CU600

8 CU800