

Spare Parts List



Battery Pack

HS/VS 120

Made in Germany

for the following products

Family	Type
Battery Pack HS/VS	Battery Pack HS/VS 120

Edition: 03/2015 - Art.-Nr. 9009702

Contents

1 Spare Parts - Drawings.....	3
2 Spare Parts Register	4

Copyright

This documentation as well as translation hereof are property of cab Produkttechnik GmbH & Co. KG.

The replication, conversion, duplication or divulgement of the whole manual or parts of it for other intentions than its original intended purpose - in particular the procurement of spare parts for products sold by cab – demand the previous written authorisation by cab.

Editor

Regarding questions or comments please contact cab Produkttechnik GmbH & Co. KG.

Topicality

Due to the constant further development of our products discrepancies between documentation and product can occur. Please check www.cab.de for the latest update.

Terms and conditions

Deliveries and performances are effected under the "General conditions of sale of cab"

Germany

cab Produkttechnik
GmbH & Co KG
Postfach 1904
D-76007 Karlsruhe
Wilhelm-Schickard-Str. 14
D-76131 Karlsruhe
Telefon +49 721 6626-0
Telefax +49 721 6626-249
www.cab.de
info@cab.de

France

cab technologies s.a.r.l.
F-67350 Niedermodern
Téléphone +33 388 722 501
www.cab.de/fr
info.fr@cab.de

USA

cab Technology Inc.
Tyngsboro MA, 01879
Phone +1 978 649 0293
www.cab.de/us
info.us@cab.de

Asia 亚洲

cab Technology Co., Ltd.
希愛比科技股份有限公司
Junghe, Taipei, Taiwan
Phone +886 2 8227 3966
www.cab.de/tw
info.asia@cab.de

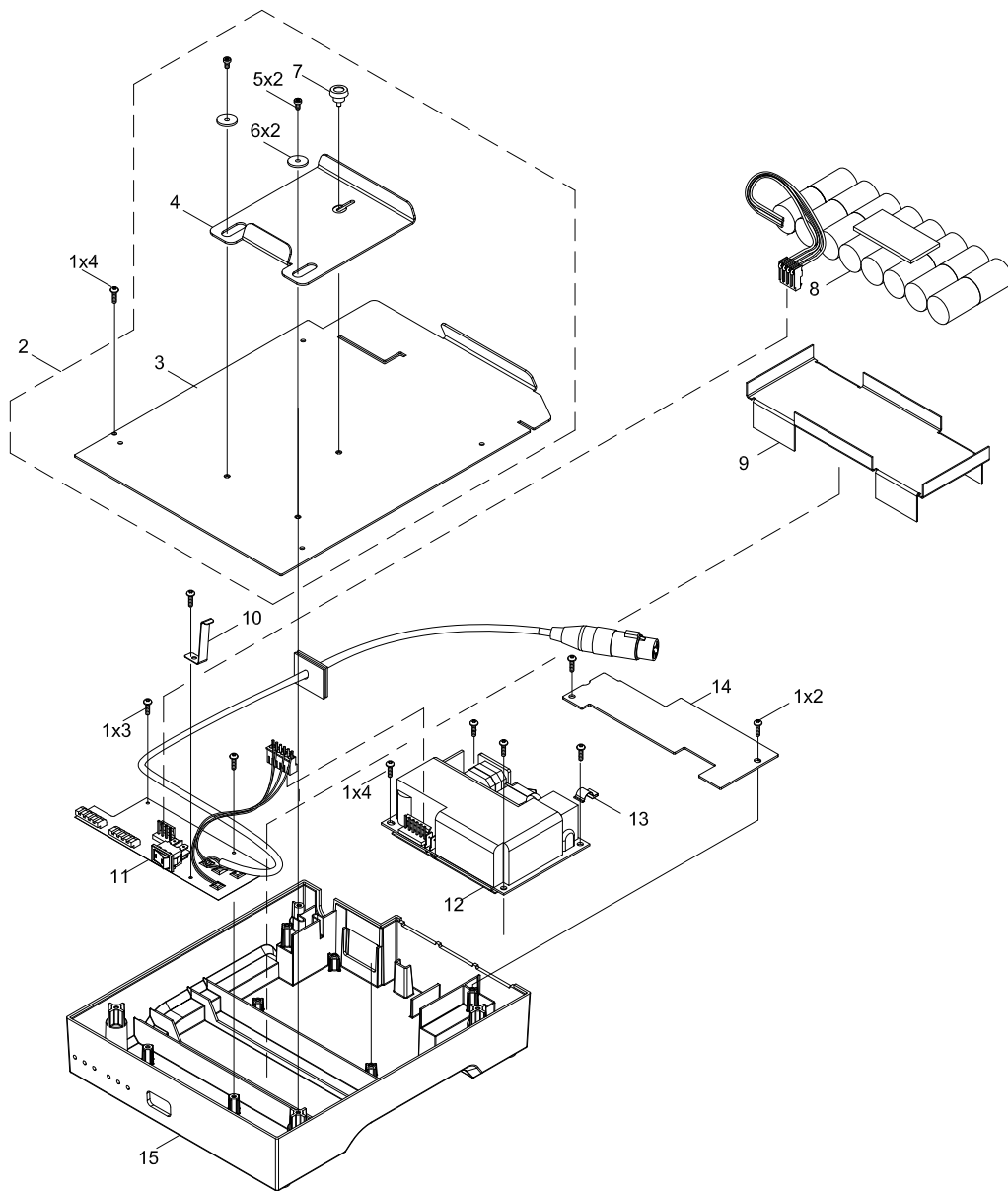
China 中国

cab (Shanghai) Trading Co., Ltd.
乾博(上海)貿易有限公司
Phone +86 21 6236-3161
www.cab.de/cn
info.cn@cab.de

Representatives in other countries on request

No	Part No.	Description	PU	Note	Serial No.	
					from	to
1	5902414.001	Screw EJOT-PT-K30x12	10			
2	5542627.001	Chassis Plate	1			
3	5542628.001	Chassis Plate	1			
4	5542625.001	Bar	1			
5	5902838.001	Screw DIN7984-M3x6	1			
6	5542626.001	Spacer	1			
7	5970245.001	Knurled Screw	1			
8	5542655.001	Battery 2,1 Ah	1			

No	Part No.	Description	PU	Note	Serial No.	
					from	to
9	5542651.001	Support Plate	1			
10	5542653.001	Contact Spring	1			
11	5542638.001	Charge Controller	1			
12	5551126.001	Power Supply	1			
13	5918335.001	Contact Spring	1			
14	5542634.001	Power Supply Cover	1			
15	5542639.001	Chassis	1			



Pos.	Figure/Page	No.	Part No.	Description	PU	SPR				Notes	Serial No.	
											from	to
1	3	4	5542625.001	Bar	1							
2	3	6	5542626.001	Spacer	1							
3	3	2	5542627.001	Chassis Plate	1							
4	3	3	5542628.001	Chassis Plate	1							
5	3	14	5542634.001	Power Supply Cover	1							
6	3	11	5542638.001	Charge Controller	1			C	D			
7	3	15	5542639.001	Chassis	1							
8	3	8	5542655.001	Battery 2,1 Ah	1	A	B	C	D			
9	3	9	5542651.001	Support Plate	1							
	3	10	5542653.001	Contact Spring	1							
10	3	12	5551126.001	Power Supply	1				D			
11	3	1	5902414.001	Screw EJOT-PT-K30x12	10							
12	3	5	5902838.001	Screw DIN7984-M3x6	1							
13	3	13	5918335.001	Contact Spring	1							
14	3	7	5970245.001	Knurled Screw	1							
16			5550611.001	Power Cable Type E+F	1							
17			9101040.001	Packaging	1							
18			9009446.001	Operator's Manual Battery Pack	1							

PU Package unit

SPR Recommendation

A - wearing parts and accessories

B - recommended spare parts for quick repair

C - recommended spare parts for distributors

D - recommended spare parts for central stores