

# Spare Parts List



**Air-jet Box**

**6014**

Made in Germany

## for the following products

Family	Type
Air Blow Box	6014

Edition: 03/2015 - Part.-No. 9009642

**Copyright**

This documentation as well as translation hereof are property of cab Produkttechnik GmbH & Co. KG.

The replication, conversion, duplication or divulgement of the whole manual or parts of it for other intentions than its original intended purpose demand the previous written authorization by cab.

**Editor**

Regarding questions or comments please contact cab Produkttechnik GmbH & Co. KG.

**Topicality**

Due to the constant further development of our products discrepancies between documentation and product can occur. Please check [www.cab.de](http://www.cab.de) for the latest update.

**Terms and conditions**

Deliveries and performances are effected under the General conditions of sale of cab.

**Table of Contents**

1	Control Unit.....	3
2	Service Unit, Connecting Part.....	4
3	Blow Box.....	5
4	Spare Parts Register .....	6

**Germany**

cab Produkttechnik  
GmbH & Co KG  
Postfach 1904  
D-76007 Karlsruhe  
Wilhelm-Schickard-Str. 14  
D-76131 Karlsruhe  
Telefon +49 721 6626-0  
Telefax +49 721 6626-249  
[www.cab.de](http://www.cab.de)  
[info@cab.de](mailto:info@cab.de)

**France**

cab technologies s.a.r.l.  
F-67350 Niedermodern  
Téléphone +33 388 722 501  
[www.cab.de/fr](http://www.cab.de/fr)  
[info.fr@cab.de](mailto:info.fr@cab.de)

**USA**

cab Technology Inc.  
Tyngsboro MA, 01879  
Phone +1 978 649 0293  
[www.cab.de/us](http://www.cab.de/us)  
[info.us@cab.de](mailto:info.us@cab.de)

**Asia 亚洲**

cab Technology Co., Ltd.  
希愛比科技股份有限公司  
Junghe, Taipei, Taiwan  
Phone +886 2 8227 3966  
[www.cab.de/tw](http://www.cab.de/tw)  
[info.asia@cab.de](mailto:info.asia@cab.de)

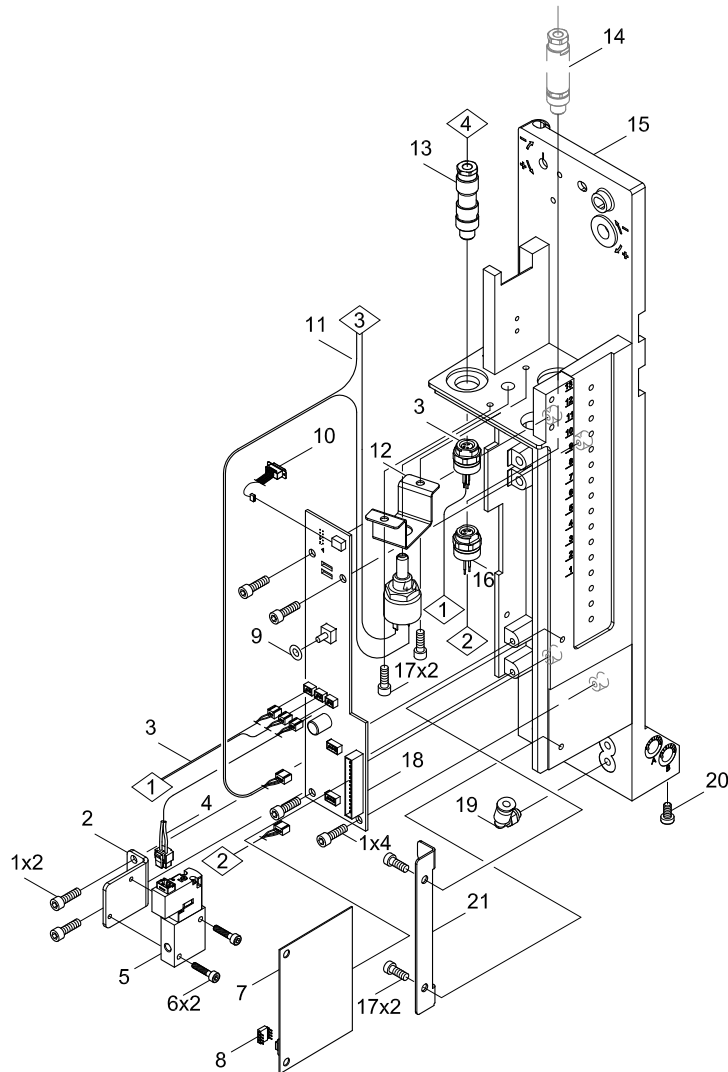
**China 中国**

cab (Shanghai) Trading Co., Ltd.  
乾博(上海)贸易有限公司  
Phone +86 21 6236-3161  
[www.cab.de/cn](http://www.cab.de/cn)  
[info.cn@cab.de](mailto:info.cn@cab.de)

Representatives in other countries on request

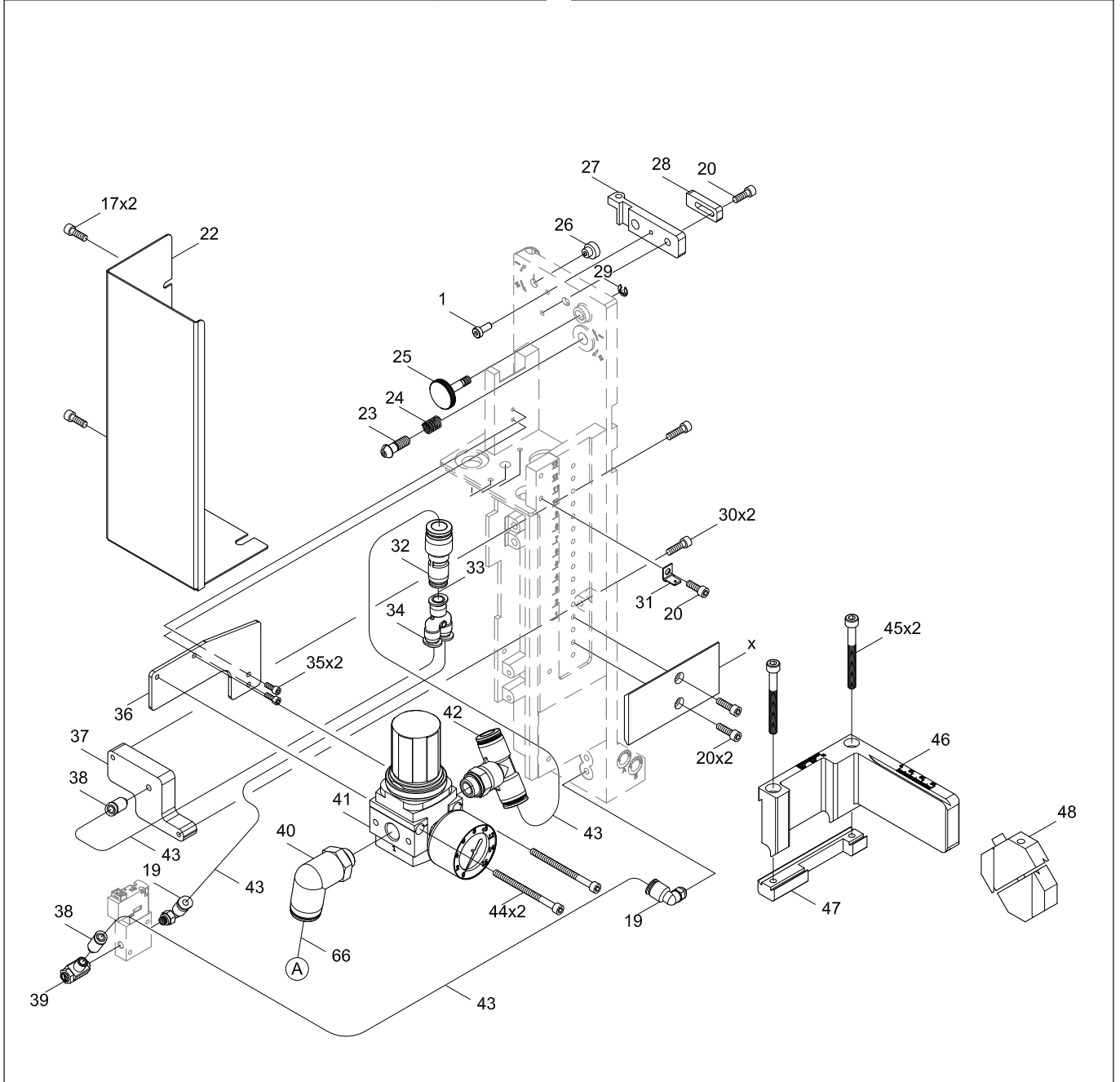
No	Part No.	Description	PU	Note	Serial No.	
					from	to
1	5902241.001	Screw DIN7984-M4x10	10			
2	5970241.001	Bracket	1			
3	5971608.001	Cable	1			
4	5971579.001	Cable	1			
5	5907094.001	Magnetic Valve	1			
6	5902009.001	Screw DIN912-M3x12	10			
7	5955575.001	Applicator Control	1			
8	5970209.001	EEPROM	1			
9	5906940.001	Sailing Ring	1			
10	5955586.001	Cable	1			
11	5970242.001	Potentiometer	1			

No	Part No.	Description	PU	Note	Serial No.	
					from	to
12	5970240.001	Clamp	1			
13	5971578.001	Cable	1			
14		External Sensor				
15	5970237.001	Support Plate	1			
16	5970246.001	Sensor Adapter	1			
17	5902571.001	Screw DIN7984-M4x6	10			
18	5971418.001	PCB Applicator Interfaces	1			
19	5905255.001	Push-in L-Connector	1			
20	5902489.001	Screw DIN7984-M4x8	10			
21	5970239.001	Holder	1			



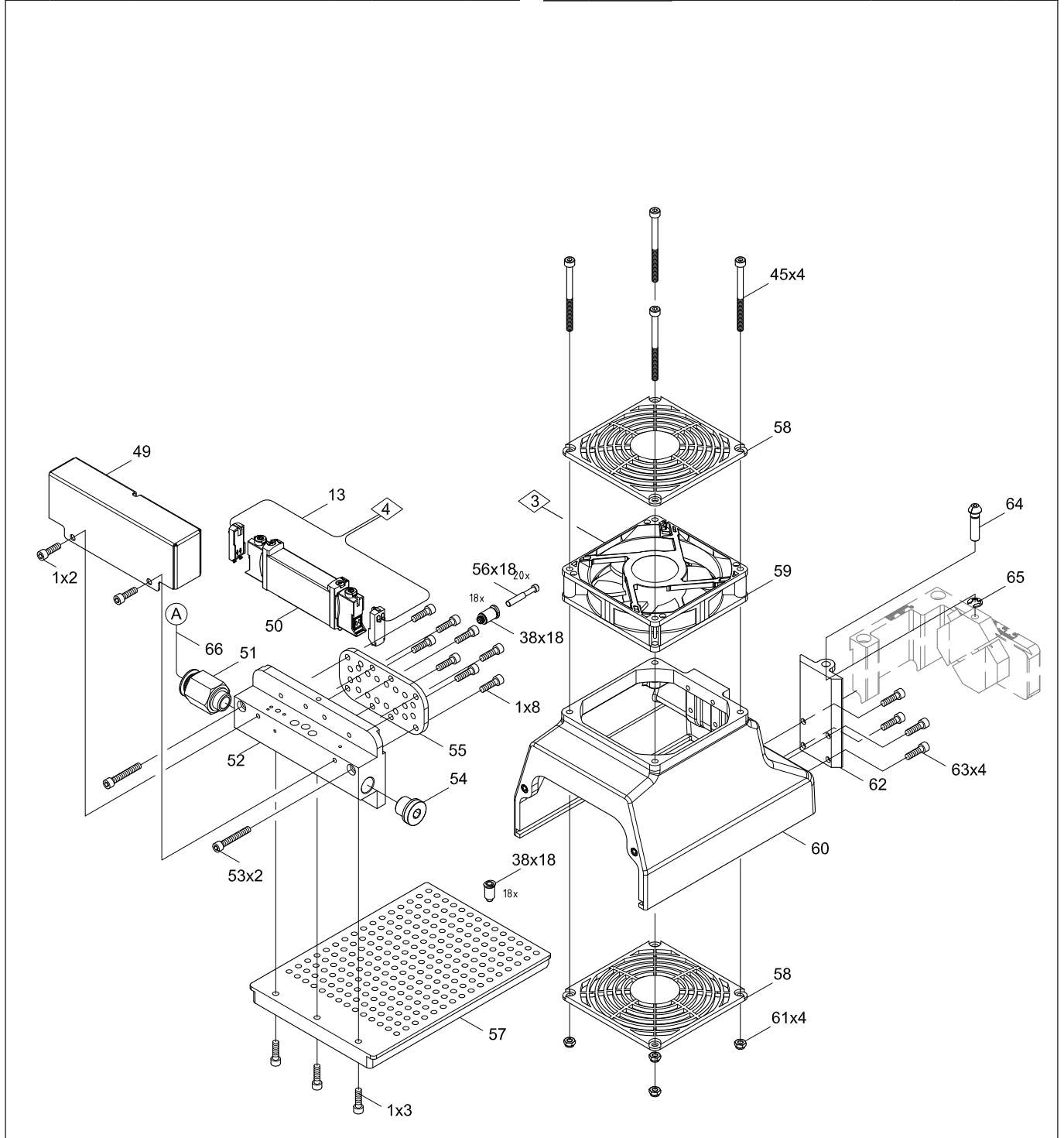
No	Part No.	Description	PU	Note	Serial No.	
					from	to
1	5902241.001	Screw DIN7984-M4x10	10			
17	5902571.001	Screw DIN7984-M4x6	10			
19	5905255.001	Push-in L-Connector	1			
20	5902489.001	Screw DIN7984-M4x8	10			
22	5971542.001	Cover	1			
23	5965963.001	Set Screw	1			
24	5904544.001	Spring	10			
25	5964367.001	Knurled Screw	1			
26	5966530.001	Eccentric	1			
27	5966529.001	Hinges L	1			
28	5964090.001	Bar	1			
29	5903507.001	E-Ring DIN6799-3.2	10			
30	5902862.001	Screw DIN7984 M4x20	10			
31	5901787.001	Connector	1			
32	5907144.001	Push-in Fitting	1			
33	5966461.001	Tube Ø6	2m			

No	Part No.	Description	PU	Note	Serial No.	
					from	to
34	5905972.001	Push-in Y-Fitting	1			
35	5902007.001	Screw DIN912-M3x6	10			
36	5971543.001	Holder	1			
37	5971711.001	Sensor Plate	1			
38	5905283.001	Push-in/threaded Fitting	1			
39	5905737.001	One-way Flow Control Valve	1			
40	5907140.001	Push-in L-Fitting	1			
41	5907001.001	Service Unit	1			
42	5907141.001	Push-in T-Fitting	1			
43	5966460.001	Tube Ø4	2m			
44	5902449.001	Screw DIN7984-M4x40	10			
45	5902167.001	Screw DIN912 M5x50	10			
46	5964331.001	Crossbeam	1			
47	5964328.001	Clamping Element	1			
48	5965961.001	Binder	1			
66	5971573.001	Tube Ø12	1			



No	Part No.	Description	PU	Note	Serial No.	
					from	to
1	5902241.001	Screw DIN7984-M4x10	1			
13	5971578.001	Cable	13			
38	5905283.001	Push-in/threaded Fitting	38			
45	5902167.001	Screw DIN912 M5x50	45			
49	5971552.001	Chassis	49			
50	5907143.001	Magnetic Valve	50			
51	5907142.001	Push-in/threaded Fitting	51			
52	5971538.001	Valve Terminal	52			
53	5902420.001	Screw DIN7984-M4x20	53			
54	5906044.001	Blank Plug	54			
55	5971540.001	Splitter Plate	55			

No	Part No.	Description	PU	Note	Serial No.	
					from	to
56	5905688.001	Blank Plug	56			
57	5971553.001	Suction Plate	57			
58	5907065.001	Safety Guard	58			
59	5918284.001	Fan	59			
60	5971558.001	Chassis	60			
61	5902570.001	Nut DIN982-M4	61			
62	5970174.001	Adapter Profile	62			
63	5902565.001	Screw DIN7984-M4x10	63			
64	5964061.001	Setting Screw	64			
65	5903505.001	E-Ring DIN6799-5	65			
66	5971573.001	Tube Ø12	66			



Pos.	Figure/Page		Nr.	Part No.	Description	PU	SPR				Notes	Serial No.	
												from	to
1		4		31	5901787.001	Connector	1						
2		4		35	5902007.001	Screw DIN912-M3x6	10						
3	3			6	5902009.001	Screw DIN912-M3x12	10						
4		4	5	45	5902167.001	Screw DIN912 M5x50	10						
5	3	4	5	1	5902241.001	Screw DIN7984-M4x10	10						
6			5	53	5902420.001	Screw DIN7984-M4x20	10						
7		4		44	5902449.001	Screw DIN7984-M4x40	10						
8	3	4		20	5902489.001	Screw DIN7984-M4x8	10						
9			5	63	5902565.001	Screw DIN7984-M4x10	10						
10			5	61	5902570.001	Nut DIN982-M4	10						
11	3	4		17	5902571.001	Screw DIN7984-M4x6	10						
12		4		30	5902862.001	Screw DIN7984 M4x20	10						
13			5	65	5903505.001	E-Ring DIN6799-5	10						
14		4		29	5903507.001	E-Ring DIN6799-3.2	10						
15		4		24	5904544.001	Spring	10						
16	3	4		19	5905255.001	Push-in L-Connector	1						
17		4	5	38	5905283.001	Push-in/threaded Fitting	1						
18			5	56	5905688.001	Blank Plug	1						
19		4		39	5905737.001	One-way Flow Control Valve	1						
20		4		34	5905972.001	Push-in Y-Fitting	1						
21			5	54	5906044.001	Blank Plug	1						
22	3			9	5906940.001	Sailing Ring	1						
23		4		41	5907001.001	Service Unit	1						
24			5	58	5907065.001	Safety Guard	1						
25	3			5	5907094.001	Magnetic Valve	1						
26		4		40	5907140.001	Push-in L-Fitting	1						
27		4		42	5907141.001	Push-in T-Fitting	1						
28			5	51	5907142.001	Push-in/threaded Fitting	1						
29			5	50	5907143.001	Magnetic Valve	1						
30		4		32	5907144.001	Push-in Fitting	1						
31			5	59	5918284.001	Fan	1						
32	3			7	5955575.001	Applicator Control	1						
33	3			10	5955586.001	Cable	1						
34			5	64	5964061.001	Setting Screw	1						
35		4		28	5964090.001	Bar	1						
36		4		47	5964328.001	Clamping Element	1						
37		4		46	5964331.001	Crossbeam	1						
38		4		25	5964367.001	Knurled Screw	1						
39		4		48	5965961.001	Binder	1						
40		4		23	5965963.001	Set Screw	1						
41		4		43	5966460.001	Tube Ø4	2m						
42		4		33	5966461.001	Tube Ø6	2m						
43		4		27	5966529.001	Hinges L	1						
44		4		26	5966530.001	Eccentric	1						
45			5	62	5970174.001	Tube Ø12	1						

PU Package unit

SPR Recommendation

A - wearing parts and accessories

B - recommended spare parts for quick repair

C - recommended spare parts for distributors

D - recommended spare parts for central stores

Pos.	Figure/Page		Nr.	Part No.	Description	PU	SPR				Notes	Serial No.	
												from	to
46	3		8	5970209.001	Adapter Profile	1							
47	3		15	5970237.001	EEPROM	1							
48	3		21	5970239.001	Support Plate	1							
49	3		12	5970240.001	Holder	1							
50	3		2	5970241.001	Clamp	1							
51	3		11	5970242.001	Bracket	1							
52	3		16	5970246.001	Potentiometer	1							
53	3		18	5971418.001	Sensor Adapter	1							
54			5	52	5971538.001	PCB Applicator Interfaces	1						
55			5	55	5971540.001	Valve Terminal	1						
56		4		22	5971542.001	Splitter Plate	1						
57		4		36	5971543.001	Cover	1						
58			5	49	5971552.001	Holder	1						
59			5	57	5971553.001	Chassis	1						
60			5	60	5971558.001	Suction Plate	1						
61		4	5	66	5971573.001	Chassis	1						
62	3		5	13	5971578.001	Cable	1						
63	3			4	5971579.001	Cable	1						
64	3			3	5971608.001	Cable	1						
65		4		37	5971711.001	Sensor Plate	1						
66	3			14		External Sensor							

PU Package unit

SPR Recommendation

A - wearing parts and accessories

B - recommended spare parts for quick repair

C - recommended spare parts for distributors

D - recommended spare parts for central stores