

Mounting Instruction

Adapter Kit for XC4 (Part.-No 5965712)

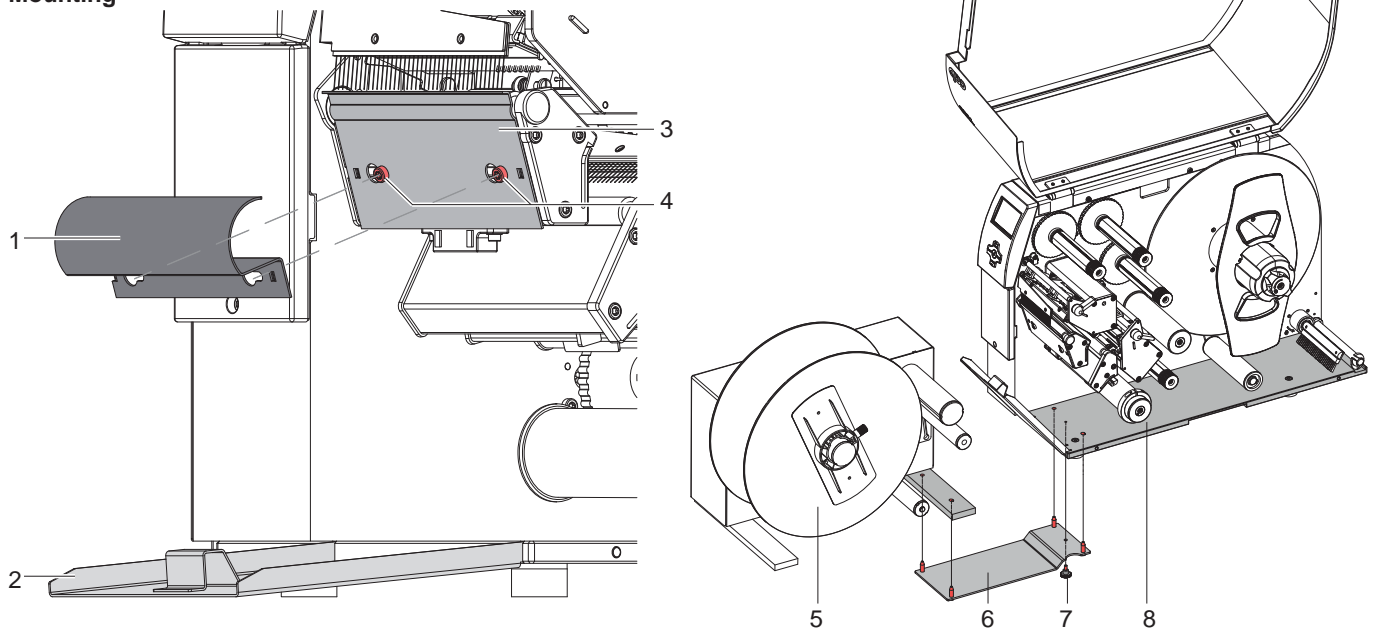
Adapter Kit for XC6 (Part.-No 5965713)

Edition: 05/14 · Part.-No. 9009632

Contents of delivery

| | | |
|---------|----------------------------|-----------------|
| 5966284 | Adapter Plate | 1 piece |
| 5966077 | Rewind Guide Plate RG4-XC4 | 1 piece for XC4 |
| 5966078 | Rewind Guide Plate RG6-XC6 | 1 piece for XC6 |
| 5902136 | Knurled Screw | 1 piece |

Mounting



Mounting the Installing the Rewind Guide Plate

1. Open flap (2).
2. Loosen screws (4) several turns.
3. Slide tear-off plate (3) to the right and remove it
4. Place rewind guide plate (1) onto the screws (4) and slide it to the left completely.
5. Tighten screws (4).
6. Close flap (2)

Mounting Adapter Plate and link Devices

1. Put the printer (8) on the pins of the adapter plate (6) like the picture.
2. Put in the knurled screw (7) and tighten it to mount the adapter plate (6) on the printer (8).
3. Put the rewriter (5) on the pins of the adapter plate (6) like the picture.

Germany

cab Produkttechnik
GmbH & Co KG
Postfach 1904
D-76007 Karlsruhe
Wilhelm-Schickard-Str. 14
D-76131 Karlsruhe
Telefon +49 721 6626-0
Telefax +49 721 6626-249
www.cab.de
info@cab.de

France

cab technologies s.a.r.l.
F-67350 Niedermodern
Téléphone +33 388 722 501
www.cab.de
info@cab-technologies.fr

USA

cab Technology Inc.
Tyngsboro MA, 01879
Phone +1 978 649 0293
www.cabtechn.com
info@cabtechn.com

South Afrika

cab Technology (Pty.) Ltd.
2125 Randburg
Phone +27 11-886-3580
www.cab.de
info@cabtechn.co.za

Asia 亞洲分公司

希愛比科技股份有限公司
cab Technology Co, Ltd.
台灣台北縣中和市中正路 700 號 9F-8
Junghe 23552, Taipei, Taiwan
電話 Phone +886 2 8227 3966
網址 www.cabasia.net
詢問 cabasia@cab.de

China 中国

锐博(上海)贸易有限公司
cab (Shanghai) Trading Co.,Ltd
上海市延安西路 2299 号 11C60 室
电话 Phone +86 21 6236-3161
询问 cabasia@cab.de

Representatives in other countries on request.