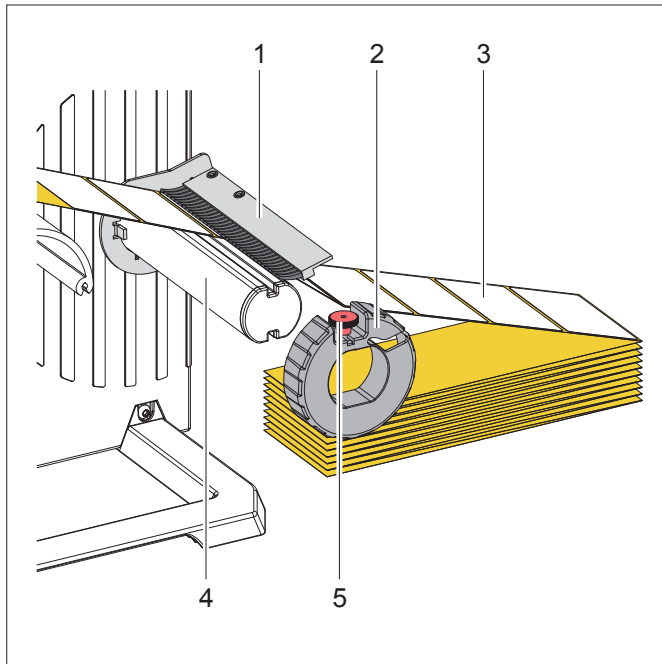


Mounting Instructions

Fanfold Media Guide for Label Dispenser HS/VS

Edition: 08/2012 · Part No. 9009374



Contents of Delivery

- Brush (1)
- Margin Stop (2)

Mounting and Media Loading

- ▶ Push the brush (1) onto the media retainer (4) until it stops.
- ▶ Place the fanfold media stack behind the label dispenser.
- ▶ Insert the fanfold media (3) between media retainer (4) and brush (1) and push it to the brush retainer.
- ▶ Place the margin stop (2) onto the media retainer, push it against the fanfold media and tighten the knurled screw (5).
- ▶ Complete the media loading as described for media from rolls in the ▷ Operator's Manual.
- ▶ Align the media stack so that the media can run into dispenser without skewing.

Germany

cab Produkttechnik
GmbH & Co KG
Postfach 1904
D-76007 Karlsruhe
Wilhelm-Schickard-Str. 14
D-76131 Karlsruhe
Telefon +49 721 6626-0
Telefax +49 721 6626-249
www.cab.de
info@cab.de

France

cab technologies s.a.r.l.
F-67350 Niedermodern
Téléphone +33 388 722 501
www.cab.de/fr
info.fr@cab.de

USA

cab Technology Inc.
Tyngsboro MA, 01879
Phone +1 978 649 0293
www.cab.de/us
info.us@cab.de

South Africa

cab Technology (Pty.) Ltd.
2125 Randburg
Phone +27 11-886-3580
www.cab.de/za
info.za@cab.de

Asia 亚洲

cab Technology Co., Ltd.
希愛比科技股份有限公司
Junghe, Taipei, Taiwan
Phone +886 2 8227 3966
www.cab.de/tw
info.asia@cab.de

China 中国

cab (Shanghai) Trading Co., Ltd.
乾博(上海)贸易有限公司
Phone +86 21 6236-3161
www.cab.de/cn
info.cn@cab.de

Representatives in other countries on request