

Operator's Manual



Code Checker

CC2 / CC4

Made in Germany

Family	Type
Code Checker	CC2
	CC4

Edition: 03/2016 - **Part No.** 9009289

This documentation as well as translation hereof are property of cab Produkttechnik GmbH & Co. KG.

The replication, conversion, duplication or divulgement of the whole manual or parts of it for other intentions than its original intended purpose demand the previous written authorization by cab.

Trademark

Windows is a registered trademark of the Microsoft Corporation.

Editor

Regarding questions or comments please contact cab Produkttechnik GmbH & Co. KG.

Topicality

Due to the constant further development of our products discrepancies between documentation and product can occur.

Please check www.cab.de for the latest update.

Terms and conditions

Deliveries and performances are effected under the General conditions of sale of cab.

Table of Contents

1 Introduction 3

1.1 Instructions..... 3

1.2 Intended Use..... 3

1.3 Safety Instructions..... 4

1.4 Environment..... 4

1.5 Technical Data..... 5

2 Installation 6

2.1 Unpacking 6

2.2 Mounting the Code Checker 6

2.3 Adjusting the Scanner..... 7

3 Code Checking with JScript..... 8

3.1 Commands list 8

3.2 Examples 8

4 Code Checking with cablabel S3 Pro 9

5 Operation 10

6 Reference to the EU Declaration of Conformity.. 10

Germany
cab Produkttechnik
GmbH & Co KG
Postfach 1904
D-76007 Karlsruhe
Wilhelm-Schickard-Str. 14
D-76131 Karlsruhe
Telefon +49 721 6626-0
Telefax +49 721 6626-249
www.cab.de
info@cab.de

France
cab technologies s.a.r.l.
F-67350 Niedermodern
Téléphone +33 388 722 501
www.cab.de/fr
info.fr@cab.de

USA
cab Technology Inc.
Tyngsboro MA, 01879
Phone +1 978 649 0293
www.cab.de/us
info.us@cab.de

Asia 亚洲
cab Technology Co., Ltd.
希愛比科技股份有限公司
Junghe, Taipei, Taiwan
Phone +886 2 8227 3966
www.cab.de/tw
info.asia@cab.de

China 中国
cab (Shanghai)Trading Co., Ltd.
乾博(上海)貿易有限公司
Phone +86 21 6236-3161
www.cab.de/cn
info.cn@cab.de

Representatives in other countries on request

1 Introduction

1.1 Instructions

Important information and instructions in this documentation are designated as follows:



Danger!

Draws your attention to an exceptionally grave, impending danger to your health or life.



Warning!

Indicates a hazardous situation that could lead to injuries or material damage.



Attention!

Draws attention to possible dangers, material damage or loss of quality.



Notice!

Gives you tips. They make a working sequence easier or draw attention to important working processes.



Environment!

Gives you tips on protecting the environment.



Handling instruction



Reference to section, position, illustration number or document.



Option (accessories, peripheral equipment, special fittings).

Time Information in the display.

1.2 Intended Use

- The device is intended exclusively as a peripheral device for the cab printers of the A+ series for checking of printed linear barcodes and 2D codes. For that purpose the printer must be operated in peel-off mode and each label must contain one code only. Any other use or use going beyond this shall be regarded as improper use. The manufacturer/supplier shall not be liable for damage resulting from unauthorized use; the user shall bear the risk alone.



Attention!

To operate the Code Checker the firmware version 3.17 or higher is needed !

- The device is manufactured in accordance with the current technological status and the recognized safety rules. However, danger to the life and limb of the user or third parties and/or damage to the device and other tangible assets can arise during use.
- The device may only be used for its intended purpose and if it is in perfect working order, and it must be used with regard to safety and dangers as stated in the operating manual.
- Usage for the intended purpose also includes complying with the operating manual, including the manufacturer's maintenance recommendations and specifications.



Notice!

The complete documentation can also currently be found in the Internet.

1.3 Safety Instructions

- Disconnect the printer from the electrical outlet before mounting or removing the code checker.
- Warning stickers must not be removed, as then you and other people cannot be aware of dangers and may be injured.
- The device may only be used in a dry environment, do not expose it to moisture (sprays of water, mists, etc.).
- Do not use the device in an explosive atmosphere.
- Do not use the device close to high-voltage power lines.
- Perform only those actions described in this operating manual.
Work going beyond this may only be performed by trained personnel or service technicians.
- Unauthorized interference with electronic modules or their software can cause malfunctions.
- Other unauthorized work on or modifications to the device can also endanger operational safety.
- Always have service work done in a qualified workshop, where the personnel have the technical knowledge and tools required to do the necessary work.



Warning!

This is a class A product. In a domestic environment this product may cause radio interference in which case the user may be required to take adequate measures.

1.4 Environment



Obsolete devices contain valuable recyclable materials that should be sent for recycling.

- ▶ Send to suitable collection points, separately from residual waste.

The modular construction of the printer enables it to be easily disassembled into its component parts.

- ▶ Send the parts for recycling.
- ▶ Take the electronic circuit boards to public waste disposal centers or to the distributor.

1.5 Technical Data

	CC2	CC4
for printer type	A2+P	A4+P
Reading distance	87 - 175 mm	
Reading angle	-15° to +15°	
Codes per label	1	
Check functions	GOODBAD	Checking the readability
	VERIFY	Checking the readability and comparing the result with the data received

Table 1 Technical data

Code	Type	Programming				Code size			
		cablabel S3		Jscript		Min		Max	
						Width	Height	Width	Height
Aztec	2D	G	V	G	V	10	10	80	80
Codabar	Barcode	G	S	G	S	20	3	100	80
Codablock F	2D	G	-	G	-	10	10	80	80
Code 128 A, B, C	Barcode	G	V	G	V	20	3	100	80
Code 39	Barcode	G	V	G	V	20	3	100	80
Code 39 Full ASCII	Barcode	G	V	G	V	20	3	100	80
Code 93	Barcode	G	V	G	V	20	3	100	80
Data Matrix	2D	G	V	G	V	5	5	80	80
EAN / GS1 Datamatrix	2D	G	-	G	-	5	5	80	80
EAN / UCC / GS1 128	Barcode	G	-	G	-	20	3	100	80
EAN / UPC Appendix 2	Barcode	G	-	G	-	20	3	100	80
EAN / UPC Appendix 5	Barcode	G	-	G	-	20	3	100	80
EAN 13	Barcode	G	V	G	V	30	3	100	80
EAN 18 /SSCC 18	Barcode	G	-	G	-	30	3	100	80
EAN 8	Barcode	G	V	G	V	20	3	100	80
GS1 Data Bar	Stacked	G	-	G	-	20	10	100	80
HIBC	Barcode	G	-	G	-	20	3	100	80
Ident- u. Leitcode Dpost AG	Barcode	G	-	G	-	20	3	100	80
Interleaved 2 / 5	Barcode	G	V	G	V	20	3	100	80
ITF 14	Barcode	G	-	G	-	20	3	100	80
JAN 13	Barcode	G	V	G	V	20	3	100	80
JAN 8	Barcode	G	V	G	V	20	3	100	80
Micro PDF 417	Stacked	S	S	S	S	20	10	100	80
MSI Plessey	Barcode	S	S	S	S	-	-	100	80
PDF 417	Stacked	G	V	G	V	20	10	100	80
Postnet	Barcode	S	S	S	S	-	-	100	80
PZN	Barcode	G	-	G	-	20	3	100	80
QR-Code	2D	G	V	G	V	15	15	80	80
RSS 14	Barcode	G	-	G	-	20	3	100	80
UPC A	Barcode	G	V	G	V	20	3	100	80
UPC E	Barcode	G	V	G	V	20	3	100	80
UPC E0	Barcode	G	-	G	-	20	3	100	80
UPS Maxicode	2D	G	-	G	-	15	15	80	80
FIM	Barcode	Not implemented							
Plessey	Barcode	Not implemented							

G ... Goodbad
V ... Verify
S ... Specific configuration requested

Table 2 Functionality depending on the code parameters

2.1 Unpacking

- ▶ Check stacker for damage which may have occurred during transport.
- ▶ Check delivery for completeness.

Contents of delivery:

- Present sensor with trigger input
- Scanner with retainer
- Operator's Manual
- User's Manual Colibri incl. CD
- USB Cable Configuration Scanner
- Test record with adjustment parameters



Notice!

Please keep the original packaging in case the printer must be returned.



Attention!

The device and printing materials will be damaged by moisture and wetness.

- ▶ Set up label printer with code checker only in dry locations protected from splash water.

2.2 Mounting the Code Checker



Attention!

- ▶ Disconnect the printer from the electrical outlet before mounting the code checker.

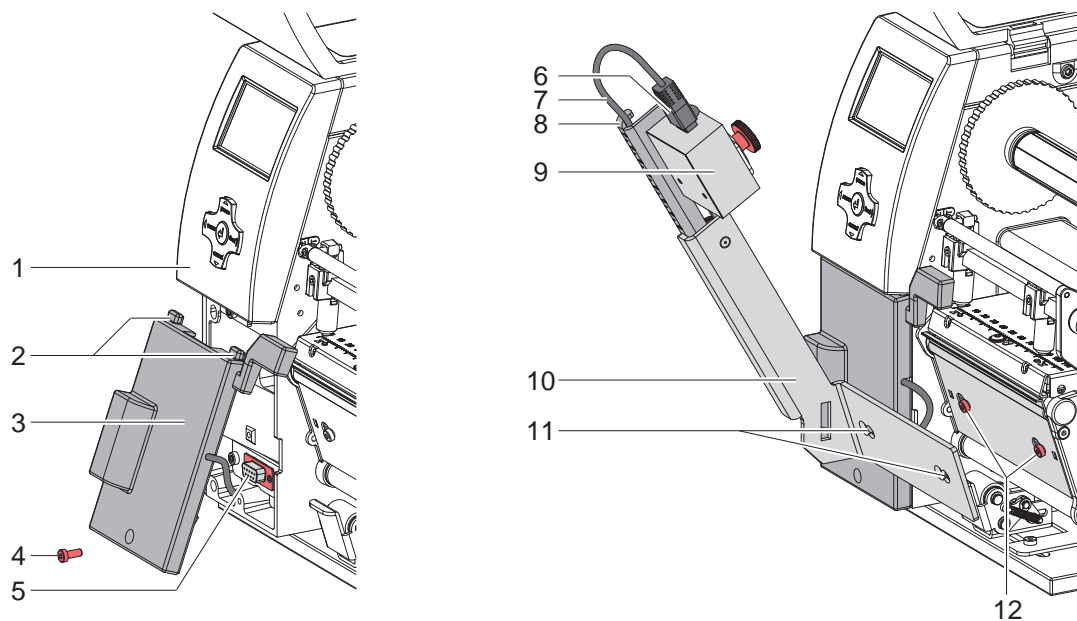


Figure 1 Mounting the code checker

1. Loosen screw (4) and remove the cover below the control panel (1).
2. Push the guides (2) of the present sensor (3) under the control panel (1) cover.
3. Press the present sensor against the printer. Make sure that the SUB-D 9 connector will be inserted in the peripheral port (4) of the printer.
4. Insert and tighten screw (4).
5. Loosen screws (12) several turns.
6. Place retainer (10) with the holes (11) onto the screws (12) and slide it to the left completely.
7. Tighten screws (12).
8. Connect the plug (6) to the scanner (9).
9. Insert the cable (7) into the guides (8) of the retainer.

2.3 Adjusting the Scanner

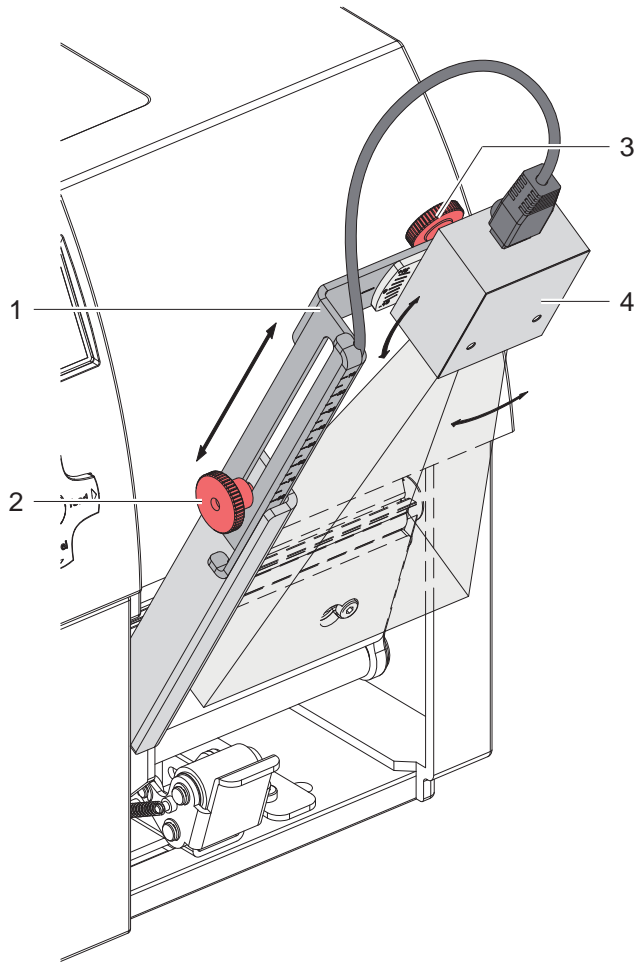


Figure 2 Adjusting distance and angle

In order to adapt the code checker to the code to be checked the scanner may be adjusted :

**Notice!**

If the device was factory-adjusted the adjustment parameters can be found in the test record.

Adjusting the reading distance

- Adaptation to size and resolution of the code
- ▶ Loosen knurled screw (2).
- ▶ Move the upper part of the retainer (1) with scanner.
- ▶ Tighten knurled screw (2).

Adjusting the reading angle

- Adaptation to the position of small codes on the label
- ▶ Loosen knurled screw (3).
- ▶ Turn the scanner (4).
- ▶ Tighten knurled screw (3).

**Notice!**

The moment of checking during the label feed can be set in the software. ▷ Programming Manual.

3.1 Commands list

+VERIFYn

Optional parameter for printer barcodes.

This parameter allows the printer to verify that the printed data are identical to the data sent.

«n» read offset in Y-position seen from the top of the barcode.

+GOOBDAn

Optional parameter for printer barcodes.

This parameter allows the printer to verify the barcode readability, without verifying the data content.

«n» read offset in Y-position seen from the top of the barcode.

,GOOBDAn

Optional parameter for graphic barcodes.

This parameter allows the printer to verify the barcode readability, without verifying the data content.

Mainly used with windows drivers.

«n» read offset in Y-position seen from the top of the barcode.

3.2 Examples

;;+GOOBDAD

```
mm
zO
J
O R
H 75,0,T
D 0,0
S I1;0,0,30,30,100,100,1
B 8,10,0,CODE39+GOOBDAD0,15,.5,4;1234567
A 1
```

;;+VERIFY

```
mm
zO
J
O R
H 75,0,T
D 0,0
S I1;0,0,30,30,100,100,1
B 8,10,0,CODE39+VERIFY0,15,.5,4;1234567
A 1
```

;;GOOBDAD »

```
mm
zO
J
O R
H 75,0,T
D 0,0
S I1;0,0,30,30,100,100,1
I 10,10,0,1,1,GOOBDAD0;PICT1
A 1
```


To use the code checker with cablabel S3 Pro :

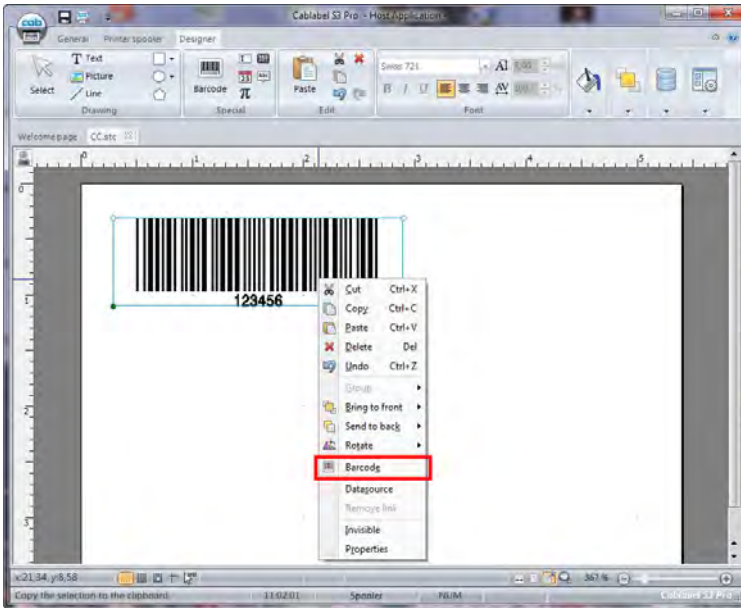


Figure 3 Code checking with cablabel S3 Pro

- ▶ Right-click on the barcode and select "Barcode"

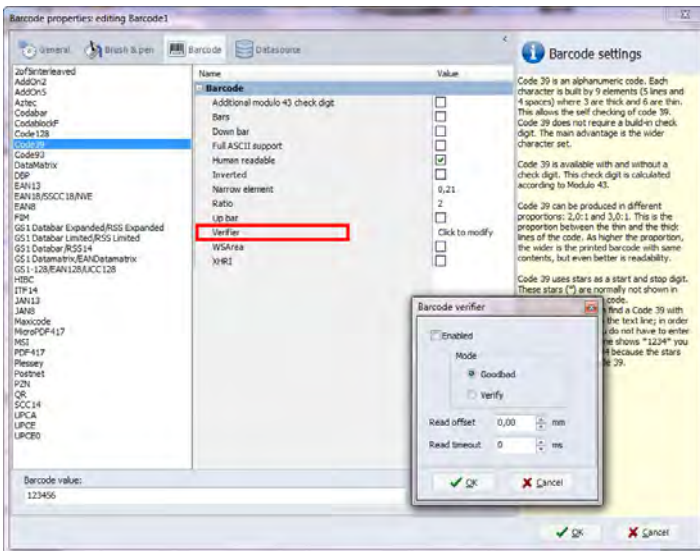


Figure 4 Code checking with cablabel S3 Pro

- ▶ Click on "Verifier".
- ▶ Activate parameter "Enabled"
- ▶ Select "Goodbad" or "Verify".
- ▶ Change the read offset if necessary.



Notice!

For printer barcodes both types of verification are available.
For graphic barcodes only the option « Goodbad » can be used.

- ▶ Insert transfer ribbon and labels. Insert the labels for peel-off mode ▷ Operator's Manual of the printer.
- ▶ Install the power and computer connections.
- ▶ Switch on the printer.
- ▶ Press the **feed** key to start the synchronization.
Remove the blank labels peeled-off during synchronization.
- ▶ Send a print job in peel-off mode. ▷ Programming Manual or software documentation.
The first label will be printed. When the code to be checked reaches the scan area, the scanner will be triggered.
- If the check result is positive, the label can be removed from the peel position. Following the next label will be printed.
- If the result is negative the error message `Scan no read` appears. After removing the faulty label the print can be repeated by pressing the **pause** key.

The Code Checkers CC2 and CC4 comply with the relevant fundamental regulations of the EU Rules for Safety and Health:

- Directive 2014/30/EU relating to electromagnetic compatibility
- Directive 2011/65/EU on the restriction of the use of certain hazardous substances in electrical and electronic equipment

EU Declaration of Conformity

▷ <https://www.cab.de/media/pushfile.cfm?file=2711> 

