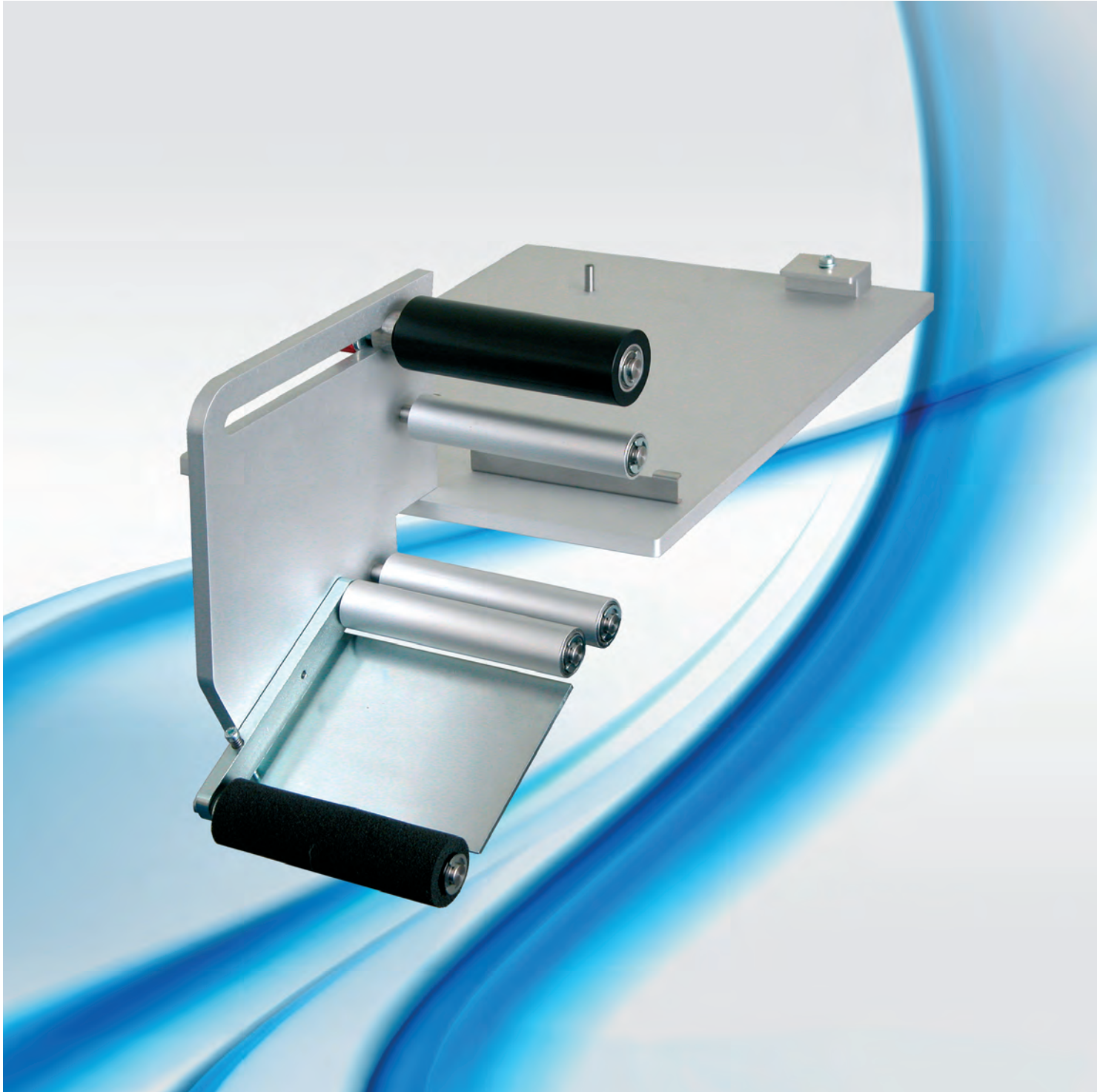


Operator's Manual



Dispensing Module

A5104 / A5106

Made in Germany

Part.-Nr.	Descriptio	Type
5949281	Dispensing Module	A5104
5949265	Dispensing Module	A5106

Edition: 04/2015 - Art.-Nr. 9009504

Copyright

This documentation as well as translation hereof are property of cab Produkttechnik GmbH & Co. KG. The replication, conversion, duplication or divulgement of the whole manual or parts of it for other intentions than its original intended purpose - in particular the procurement of spare parts for products sold by cab - demand the previous written authorization by cab.

Editor

Regarding questions or comments please contact cab Produkttechnik GmbH & Co. KG.

Topicality

Due to the constant further development of our products discrepancies between documentation and product can occur. Please check www.cab.de for the latest update.

Terms and conditions

Deliveries and performances are effected under the General conditions of sale of cab.

Germany

cab Produkttechnik
GmbH & Co KG
Postfach 1904
D-76007 Karlsruhe
Wilhelm-Schickard-Str. 14
D-76131 Karlsruhe
Telefon +49 721 6626-0
Telefax +49 721 6626-249
www.cab.de
info@cab.de

France

cab technologies s.a.r.l.
F-67350 Niedermodern
Téléphone +33 388 722 501
www.cab.de/fr
info.fr@cab.de

USA

cab Technology Inc.
Tyngsboro MA, 01879
Phone +1 978 649 0293
www.cab.de/us
info.us@cab.de

Asia 亚洲

cab Technology Co., Ltd.
希愛比科技股份有限公司
Junghe, Taipei, Taiwan
Phone +886 2 8227 3966
www.cab.de/tw
info.asia@cab.de

China 中国

cab (Shanghai)Trading Co., Ltd.
乾博(上海)贸易有限公司
Phone +86 21 6236-3161
www.cab.de/cn
info.cn@cab.de

Representatives in other countries on request

1	Introduction	4
1.1	Instructions.....	4
1.2	Intended Use.....	4
1.3	Safety Instructions.....	5
1.4	Environment.....	5
2	Product Description.....	6
2.1	Function	6
2.2	Technical Specification.....	6
2.3	Device Overview	7
3	Starting Up.....	8
3.1	Delivery Contents.....	8
3.2	Mounting	8
3.2.1	Mounting Dispensing Module on the Base Plate	8
3.2.2	Mount the Profile to use the system on a Stand 1600	9
3.2.3	Mounting the Printer.....	9
3.3	Loading the material.....	10
4	Adjustments	10

1.1 Instructions

Important information and instructions in this documentation are designated as follows:

**Danger!**

Draws your attention to an exceptionally grave, impending danger to your health or life.

**Warning!**

Indicates a hazardous situation that could lead to injuries or material damage.

**Attention!**

Draws attention to possible dangers, material damage or loss of quality.

**Notice!**

Gives you tips. They make a working sequence easier or draw attention to important working processes.

**Environment!**

Gives you tips on protecting the environment.



Handling instruction



Reference to section, position, illustration number or document.



Option (accessories, peripheral equipment, special fittings).

1.2 Intended Use

- The device is manufactured in accordance with the current technological status and the recognized safety rules. However, danger to the life and limb of the user or third parties and/or damage to the device and other tangible assets can arise during use.
- The device may only be used for its intended purpose and if it is in perfect working order, and it must be used with regard to safety and dangers as stated in the operating manual.
- The device is intended exclusively for present suitable materials that have been approved by the manufacturer. Any other use or use going beyond this shall be regarded as improper use. The manufacturer/supplier shall not be liable for damage resulting from unauthorized use; the user shall bear the risk alone.
- Usage for the intended purpose also includes complying with the operating manual, including the manufacturer's maintenance recommendations and specifications.

**Notice!**

The complete documentation is currently in the Internet.

1.3 Safety Instructions

- The device may only be used in a dry environment, do not expose it to moisture (sprays of water, mists, etc.).



Warning!

During operation, the rotating direction changer axle it is freely accessible. When working on the device wear tightly fitting clothes and tie up long hair. Loosely hanging pieces or long hair can get caught in parts of the device.



Warning!

Do not try to manipulate or repair parts they are not described in the manuals of the external rewinder or the printer.

1.4 Environment



Obsolete devices contain valuable recyclable materials that should be sent for recycling.

- ▶ Send to suitable collection points, separately from residual waste.
- ▶ Send the parts for recycling.

2.1 Function

The Dispensing Module A5104 / A5106 is a mechanical device to mount on a printer of the A or A+ series. The Dispensing Module was designed for integration into a production line. The application of the label will roll on the product via a pressure roller. To control the printer in a combination with a Dispensing Module it's necessary to use a Present Adapter PS5.

2.2 Technical Specification

	A5104	A5106
Application	A4+	A6+
Label width	25 - 116 mm	50 - 176 mm
Label height	25 - 200 mm	
Length of buffer between print head and dispense edge	350 - 500 mm	
Distance lower edge of the printer to application level	90 mm	
Product during labeling	in motion with synchronized speed to printer	

2.3 Device Overview

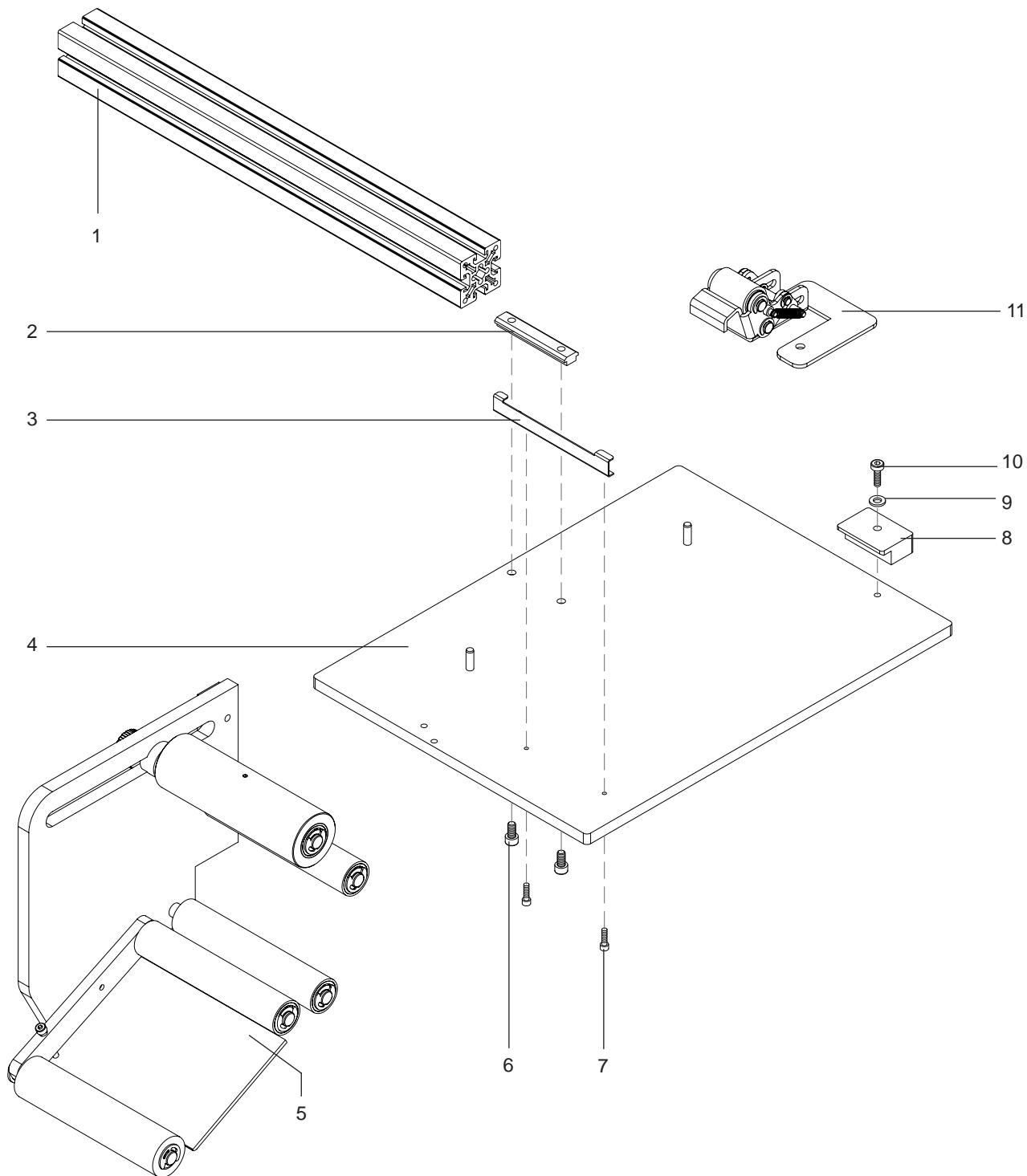


Fig. 1 Device Overview

- | | |
|----------------------|------------------------|
| 1 Profile | 7 Screw DIN7984-M4x10 |
| 2 Sliding Block | 8 Clamp |
| 3 U-bar | 9 Washer DIN125-A6,4 |
| 4 Base Plate | 10 Screw DIN7984-M6x25 |
| 5 Dispensing Module | 11 Locking System |
| 6 Screw DIN912-M6x12 | |

3.1 Delivery Contents

- Check the external rewinder for damages in transit and totality.

The delivery contents includes:	Dispensing Module A5104 / A5106	1x
•	Screw DIN7984-M6x16	2x
•	Washer DIN125-A6.4	2x
•	Base Plate kpl.	1x
•	U-bar	1x
•	Screw DIN7984-M4x10	2x
•	Clamp	1x
•	Washer DIN125-A6,4	1x
•	Screw DIN7984-M6x25	1x
•	Locking System	1x
•	Profile	1x
•	Sliding Block	1x
•	Screw DIN912-M6x12	2x
•	Documentation	



Notice!

Retain packing material for later use !

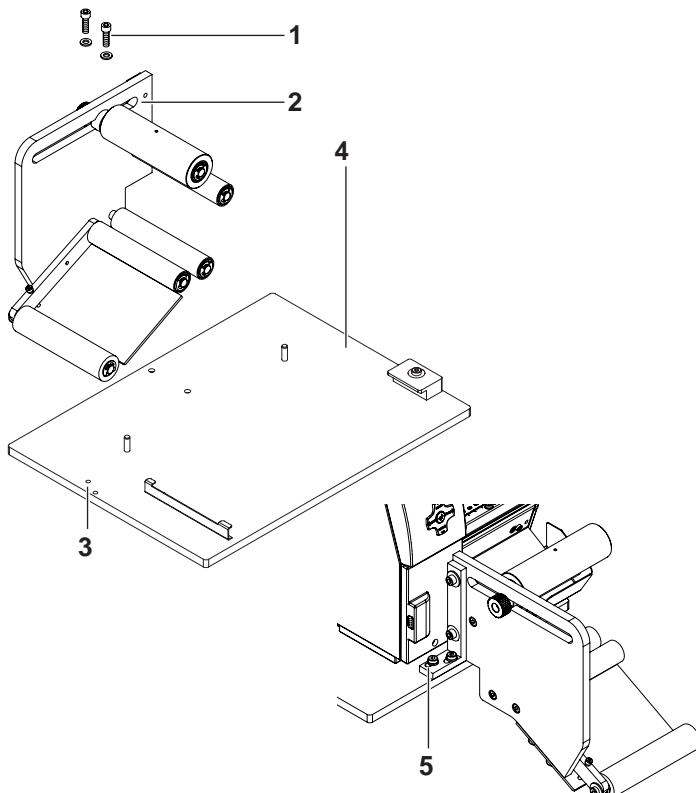
3.2 Mounting

3.2.1 Mounting Dispensing Module on the Base Plate



Notice!

To use the Dispensing Module A5104-6 it's necessary to install a Pause Adapter PS5 to the printer before. This is a connector and adapter for external sensors to control the process of printing and application the labels.



Printer and Dispensing Module A5104-6 (2) are linked over a base plate (4)

- Dispensing Module A5104-6 (2) move to the edge of the base plate (4) that the holes (5) of the mounting bracket are congruent with the holes (3) of the base plate (4).
- Use the delivered screws and washers (1) to fix the Dispensing Module A5104-6 by base plate.

Fig. 2 Mounting Dispensing Module 5104-6

3.2.2 Mount the Profile to use the system on a Stand 1600

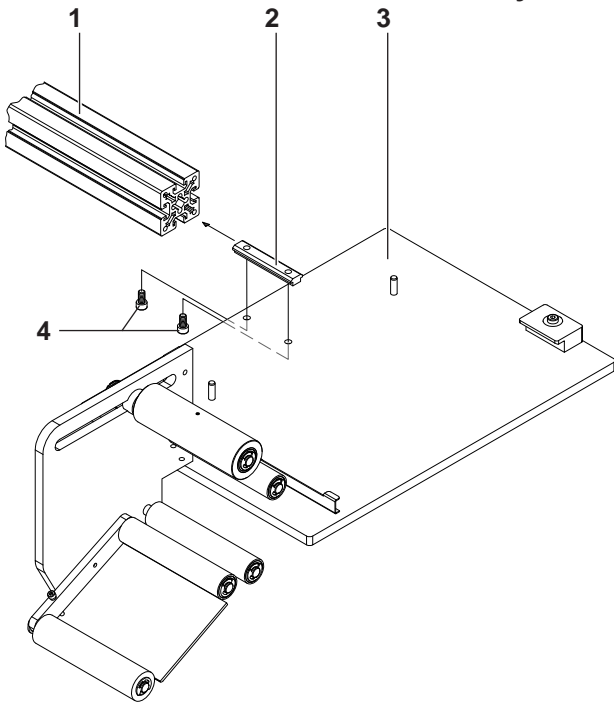


Fig.3 mounting the profile

To use the system of Dispensing Module - base plate - printer on a Stand 1600 (cab-No.: 5947400) it's essential to mount a profile on the base plate before.

- Put the sliding block (2) into the Profile (1)
- Insert the screws (4) in the holes of the base plate (3)
- Tighten screws (4) on the sliding block (2).
- Mount the profile on the Stand 1600 ▷ Operator's Manual "Stativ 1600"

3.2.3 Mounting the Printer

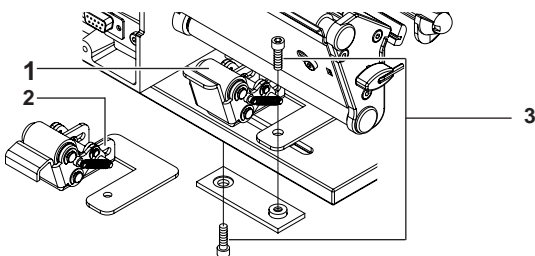


Fig. 4 change locking system

To use the Dispensing Module A5104-6 it's necessary to change the locking system of the printer.

- Loosening the screws (3)
- Changing the locking system of the printer (1) with the delivered locking system (2)
- Tighten the screws (3)

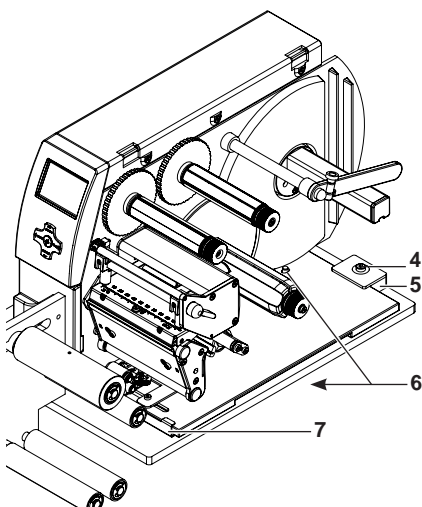


Fig. 5 Mounting printer at base plate

- Loosen the screw (4) at the fixing bracket (5)
- Move the base plate of the printer under the profile (7)
- The pins (6) at the base plate are installed to fix the printer in the finished position. Use the holes in the base plate of the printer.
- Tighten the fixing bracket (5) at the base plate by screw (4).

3.3 Loading the material

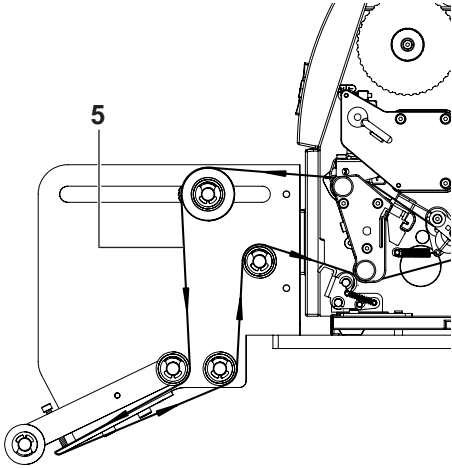


Fig. 6 Material way - Dispensing Module A5104-6

- Load the material like the Operator's Manual of the printer.
- Feed the label strip out of the printer until there is enough material to reach the internal rewinder of the printer.
- Remove all labels from the outstanding liner (5).
- Load the liner like pictured in Figure 4
- Feed the liner to the internal rewinder like described in the Operator's Manual of the printer.

4 Adjustments

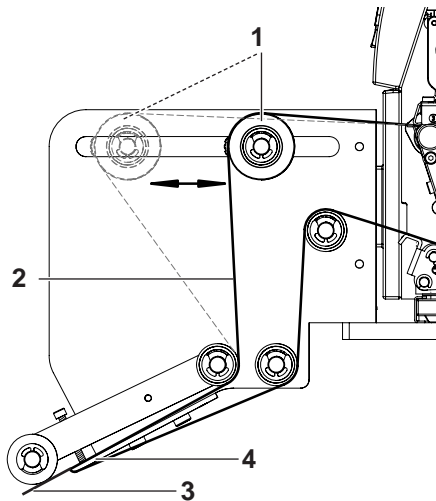


Fig.7 Dispense position adjusting

- Release a FEED on the printer. That way the next label to be printed is positioned at the print position.
- Loosen the rewind roller (1) by turning the knurled knob.
- Slide the rewind roller so, that the label (3) to be dispensed is peeled off from the liner (2) a little bit. The front edge of the label should be gone beyond the dispense edge (4) of the Dispensing Module A5104-6 maximum 5 mm.

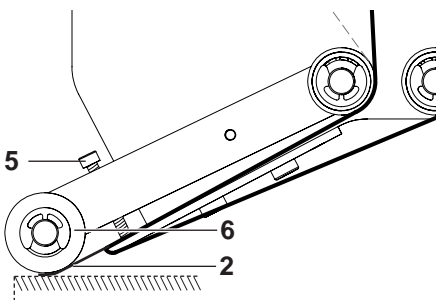


Bild 8 Pinch roller adjusting

The pinch roller (6) should support the taking of the label by the product to be labelled. It should be adjusted so that it touches the label slightly.

- Adjust the screw (5) that the pinch roller (6) would touch the label (2) to be dispensed slightly.