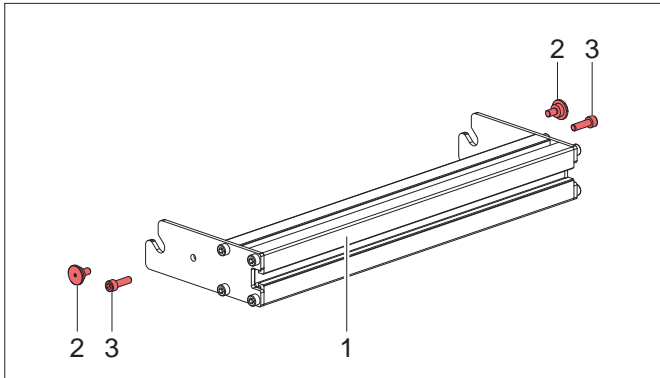


## Assembly Instructions

### Bracket HERMES Q / Hermes+

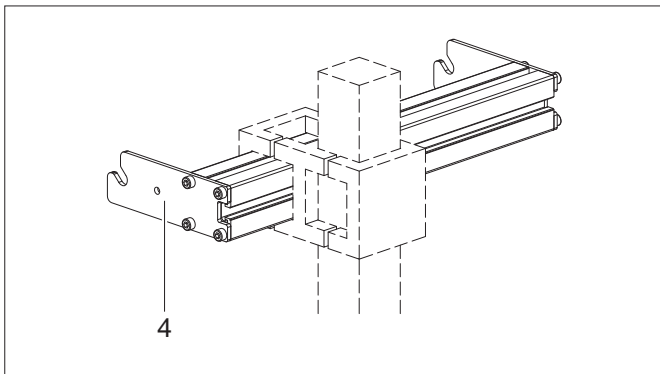
Edition: 08/2019 · Part No. 9009208



The bracket is a mounting element, which allows to hang in the a HERMES Q or Hermes+ printer in to a production line.

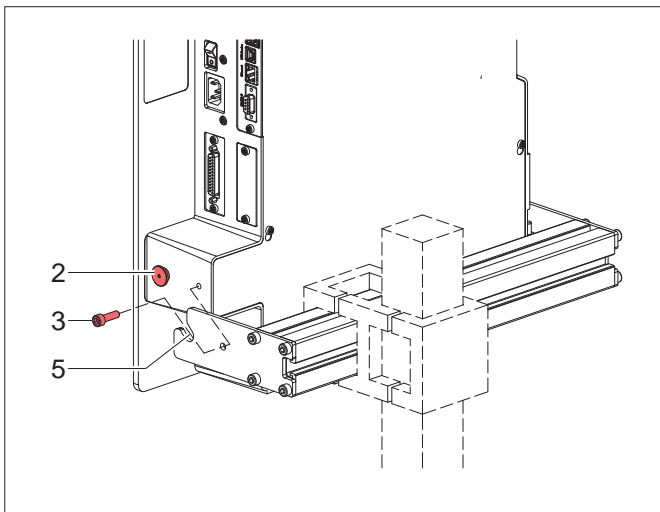
### Lieferumfang

- 1 - Bracket (profile 50x50, Rose+Krieger)
- 2 - 2 Center Screws
- 3 - 2 Screws M6x14



### Mounting

- Mount the bracket to the production line.  
If necessary remove meanwhile the side plates (4).



- Attach the center screws (2) on both sides of the frame.
- Hang in the printer into the bracket by inserting the center screws (2) into the grooves (5) of the bracket.
- Fix the printer at both sides with each one screw M6x14 (3).

Germany  
**cab Produkttechnik GmbH & Co KG**  
Karlsruhe  
Phone +49 721 6626 0  
[www.cab.de](http://www.cab.de)

USA  
**cab Technology, Inc.**  
Chelmsford, MA  
Phone +1 978 250 8321  
[www.cab.de/us](http://www.cab.de/us)

Taiwan  
**cab Technology Co., Ltd.**  
Taipei  
Phone +886 (02) 8227 3966  
[www.cab.de/tw](http://www.cab.de/tw)

China  
**cab (Shanghai) Trading Co., Ltd.**  
Guangzhou  
Phone +86 (020) 2831 7358  
[www.cab.de/cn](http://www.cab.de/cn)

France  
**cab Technologies S.à.r.l.**  
Niedermodern  
Phone +33 388 722501  
[www.cab.de/fr](http://www.cab.de/fr)

Mexico  
**cab Technology, Inc.**  
Juárez  
Phone +52 656 682 4301  
[www.cab.de/es](http://www.cab.de/es)

China  
**cab (Shanghai) Trading Co., Ltd.**  
Shanghai  
Phone +86 (021) 6236 3161  
[www.cab.de/cn](http://www.cab.de/cn)

South Africa  
**cab Technology (Pty) Ltd.**  
Randburg  
Phone +27 11 886 3580  
[www.cab.de/za](http://www.cab.de/za)