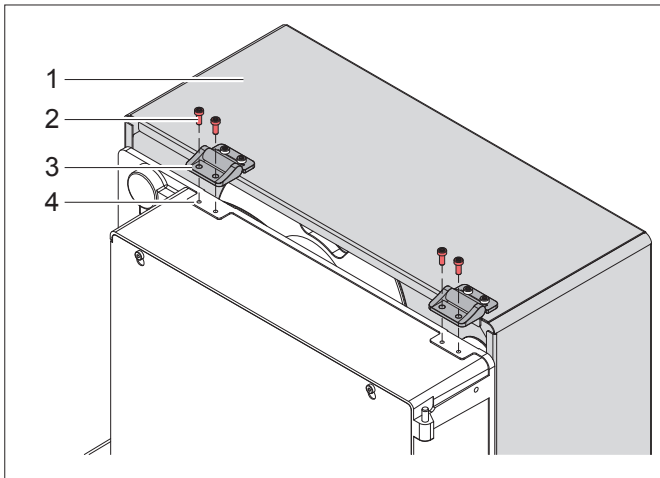


Mounting Instructions

Cover Hermes+ / Hermes C

Edition: 10/15 · Part No. 9009211

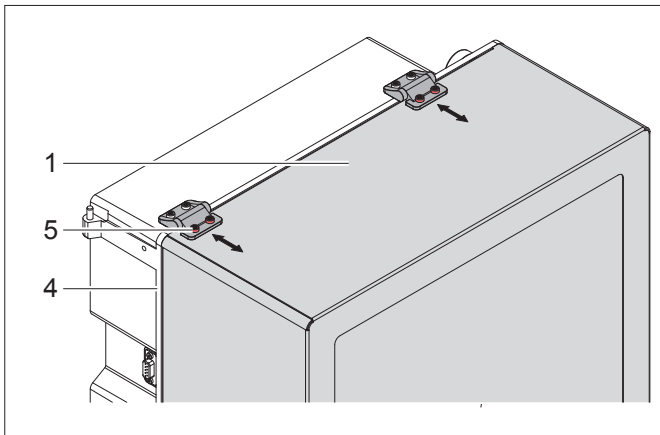


Contents of Delivery

- Cover (1) with mounted hinges (3)
- Hermes+ - 4 Screws M4x10 (2)
- Hermes C - 6 Screws M4x10 (2)

Mounting

- ▶ Put the cover (1) with the hinges (3) onto the frame (4) of the printer.
- ▶ Attach the hinges with screws (2) to the drillings of the frame.



Adjustment

If the cover does not touch the frame evenly, the cover can be adjusted at the hinges.

- ▶ Loosen screws (5).
- ▶ Push the cover (1) against the frame (4) until the cover touches the frame evenly.
- ▶ Tighten the screws (5).

Germany

cab Produkttechnik
GmbH & Co KG
Postfach 1904
D-76007 Karlsruhe
Wilhelm-Schickard-Str. 14
D-76131 Karlsruhe
Telefon +49 721 6626-0
Telefax +49 721 6626-249
www.cab.de
info@cab.de

France

cab technologies s.a.r.l.
F-67350 Niedermodern
Téléphone +33 388 722 501
www.cab.de/fr
info.fr@cab.de

USA

cab Technology Inc.
Tyngsboro MA, 01879
Phone +1 978 649 0293
www.cab.de/us
info.us@cab.de

Asia 亚洲

cab Technology Co., Ltd.
希愛比科技股份有限公司
Junghe, Taipei, Taiwan
Phone +886 2 8227 3966
www.cab.de/tw
info.asia@cab.de

China 中国

cab (Shanghai) Trading Co., Ltd.
铠博(上海)贸易有限公司
Phone +86 21 6236-3161
www.cab.de/cn
info.cn@cab.de

Representatives in other countries on request